



VDH63 Hoodtype Dishwasher

504291 - Hood type insulated dishwasher with double skin hood, detergent and rinse aid dispenser, 63 racks/h, 208V/ 3ph/ 60Hz

Ideal for: Restaurants.

Fast, reliable and easy to operate. Peace-of-mind technical design

Characteristics and Advantages:

- 63 racks per hour
- 0.5gal (2L) of water per rack
- Hot water sanitation
- Included atmospheric booster to raise incoming cold water to a constant temperature of min 180°F (82°C) and pressure throughout the rinsing cycle. No external booster is needed.
- Energy Star 2.0 certified
- Full stainless steel AISI304 construction with double skin insulated hood
- Electronic control with temperature display, self-diagnostics for serviceability
- Deep drawn stainless steel tank with round corners for easy to clean
- Inclined wash arms and ceiling to avoid washed water drops containing detergent on clean wares after the rinsing phase
- Included detergent and rinse aid pumps for automatic initial and continuous cycle loading ensure perfect results
- Revolving interchangeable stainless steel upper and lower wash/ rinse arms
- Stainless steel tank filter easy removable for cleaning
- Automatic fill of wash tank
- Automatic self-cleaning cycle
- Vertical self-draining wash pump
- 17- $\frac{5}{16}$ " door opening
- Three phase electrical connection

Included Accessories:

- | | |
|--|------------|
| • 2 cutlery container - yellow | PNC 864242 |
| • 1 basket for 18 dinner plates 240mm - yellow | PNC 867002 |
| • 1 basket for 48 small cups/24 cups - blue | PNC 867007 |

Optional Accessories

- | | |
|--|-------------------------------------|
| • Drain pump kit | PNC 864346 <input type="checkbox"/> |
| • Delimiting device kit and drain pump | PNC 864391 <input type="checkbox"/> |





VDH63 Hoodtype Dishwasher

504291 - Hood type insulated dishwasher with double skin hood, detergent and rinse aid dispenser, 63 racks/h, 208V/ 3ph/ 60Hz

Electric

Supply voltage:	208 V/3 ph/60 Hz
504291 (VDH63)	
Electric power:	9.9 kW at 50°F (10°C)
Booster heating elements:	9 kW at 50°F (10°C)
Tank heating elements:	3 kW
Wash pump size:	1.1 hp (0.8 kW)
Required Amps (Min; MOP, MCA):	24A; 40A, 34A

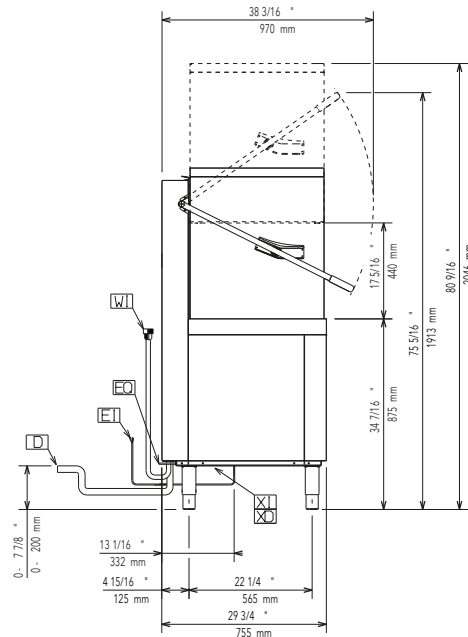
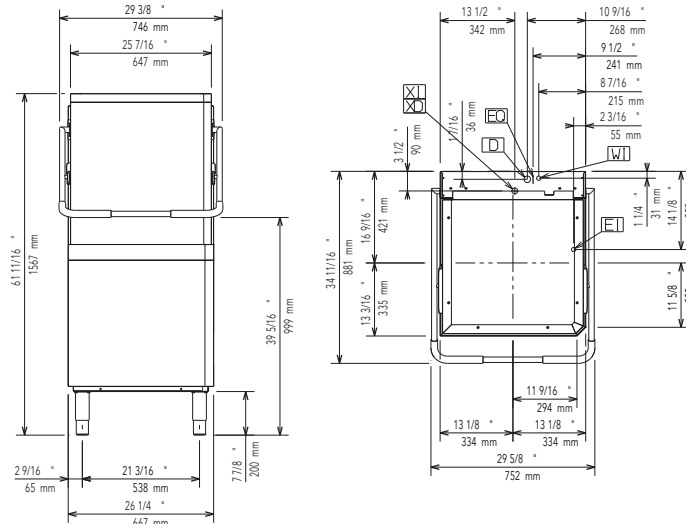
Water:

Water supply temperature:	50-122°F (10-50°C)*
Inlet Water supply pressure:	7 - 102 psi (0.5 - 7 bar)
Peak Rate of Drain Flow:	0 gal/min
Water consumption per cycle:	0.53 gal (2 L)
Booster Capacity:	3.17 gal (12 L)
Tank Capacity:	6.34 gal (24 L)
Drain line size:	0.8" (20.5 mm) pumped drain
Incoming water line size:	G 3/4"

* According to market standard, the productivity is declared at an inlet water supply temperature of 122°F (50°C) and does not include loading/unloading time.

Key Information:

Racks per hour:	63
Dishes per hour:	1134
Wash temperature (MIN):	160°F (71°C)
Rinse temperature (MIN):	180°F (82°C)
N° of cycles:	2
Duration cycle - NSF:	57/150 sec.
Rinse temperature (MIN):	183.2°F (84°C)
External dimensions, Width:	29 5/8" (752 mm)
External dimensions, Depth:	29 3/4" (755 mm)
External dimensions, Height:	61 1/16" (1567 mm)
Net weight:	280 lbs (127 kg)
Shipping width:	28 13/16" (732 mm)
Shipping depth:	32 1/4" (819 mm)
Shipping height:	68 1/8" (1730 mm)
Shipping weight:	317 lbs (144 kg)
Shipping volume:	36.62 ft ³ (1.04 m ³)
Noise level:	<63 dBA



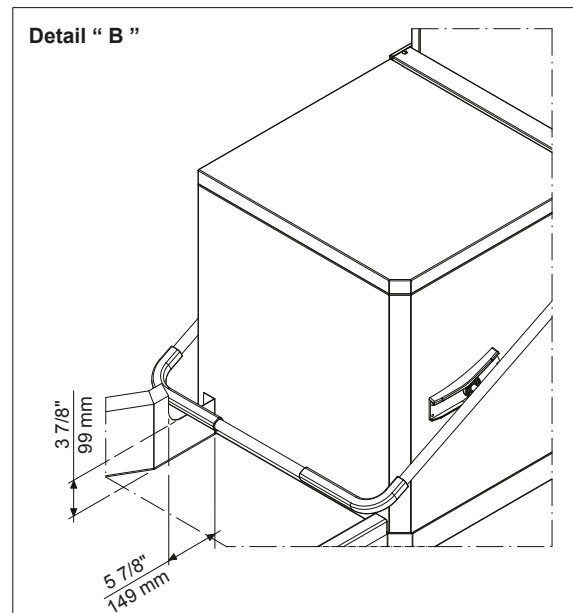
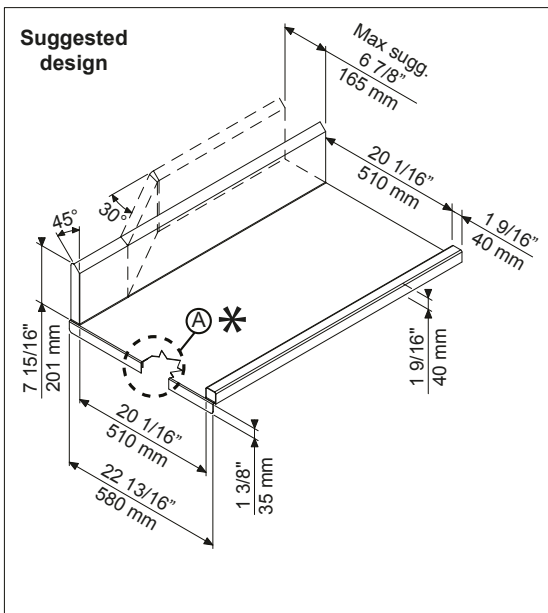
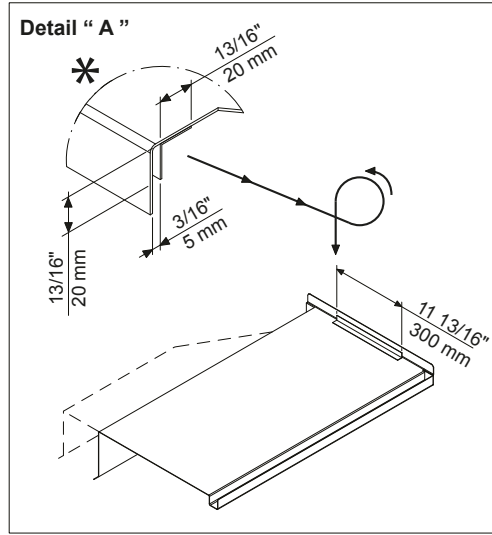
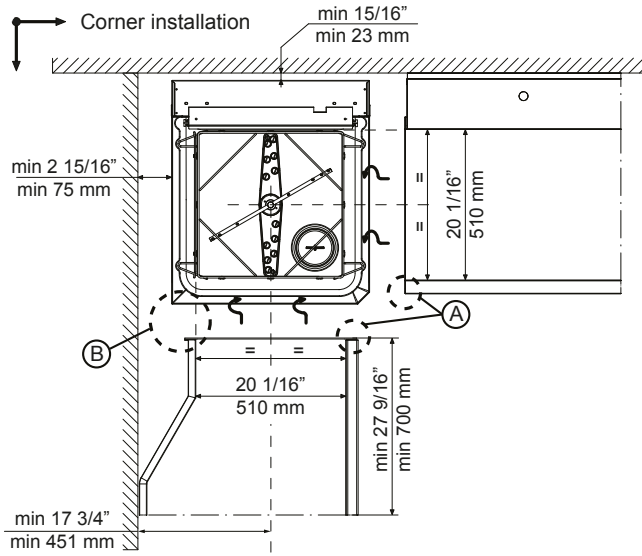
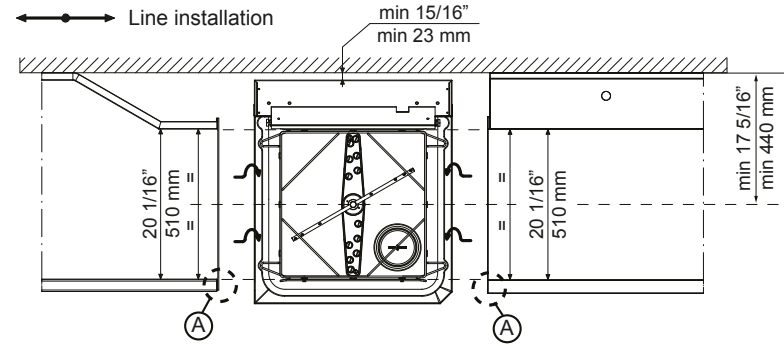
- D Drain
- EI Power supply
- EQ Equipotential screw
- WI Water inlet
- XI Chemicals inlet
- XD Detergent inlet



VDH63 Hoodtype Dishwasher

504291 - Hood type insulated dishwasher with double skin hood, detergent and rinse aid dispenser, 63 racks/h, 208V/ 3ph/ 60Hz

Recommended table connection



All tables must be connected to the dishwashing units according to local regulations and industry standards which may differ from the recommendations herein suggested. Veetsan is not liable for any failure in complying with local design standards.