



VDH63/1 Hoodtype Dishwasher

504294 - Hood type insulated dishwasher with double skin hood, detergent and rinse aid dispenser, 63 racks/h, 208V/ 1ph/ 60Hz

Ideal for: Restaurants.

Fast, reliable and easy to operate. Peace-of-mind technical design

Characteristics and Advantages:

- 63 racks per hour
- 0.5gal (2L) of water per rack
- Hot water sanitation
- Included atmospheric booster to raise incoming cold water to a constant temperature of min 187°F (86°C) and pressure throughout the rinsing cycle. No external booster is needed.
- Energy Star 2.0 certified
- Full stainless steel AISI304 construction with double skin insulated hood
- Electronic control with temperature display, self-diagnostics for serviceability
- Deep drawn stainless steel tank with round corners for easy to clean
- Inclined wash arms and ceiling to avoid washed water drops containing detergent on clean wares after the rinsing phase
- Included detergent and rinse aid pumps for automatic initial and continuous cycle loading ensure perfect results
- Revolving interchangeable stainless steel upper and lower wash/ rinse arms
- Stainless steel tank filter easy removable for cleaning
- Automatic fill of wash tank
- Automatic self-cleaning cycle
- Vertical self-draining wash pump
- 17-⁵/₁₆" door opening
- Single phase electrical connection

Included Accessories:

- 2 cutlery container - yellow PNC 864242
- 1 basket for 18 dinner plates 240mm - yellow PNC 867002
- 1 basket for 48 small cups/24 cups - blue PNC 867007

Optional Accessories

- Drain pump kit PNC 864346
- Delimiting device kit and drain pump PNC 864391

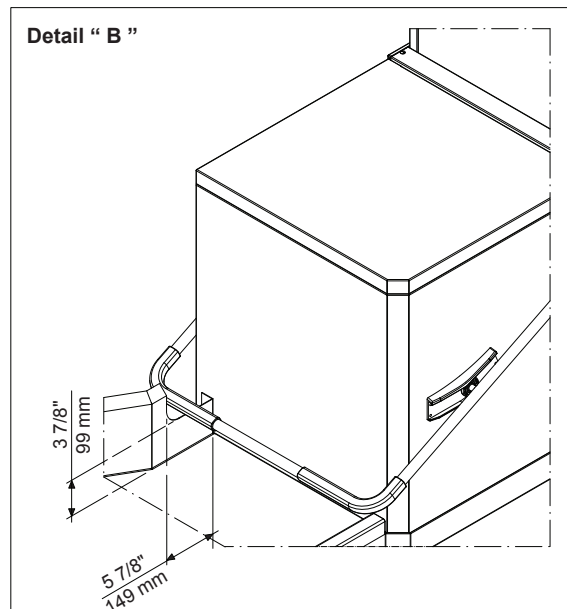
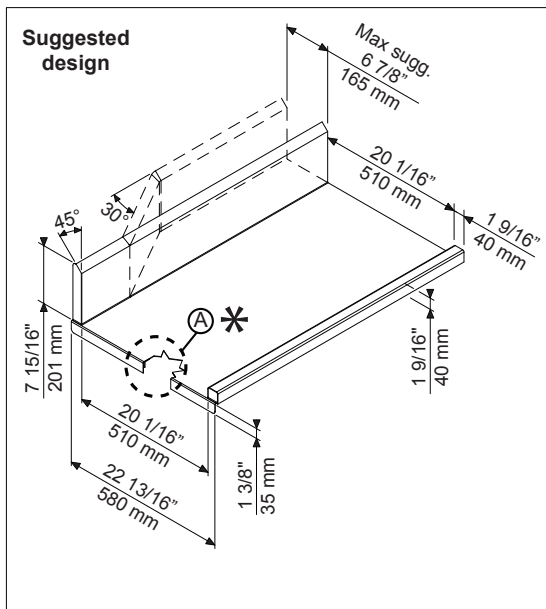
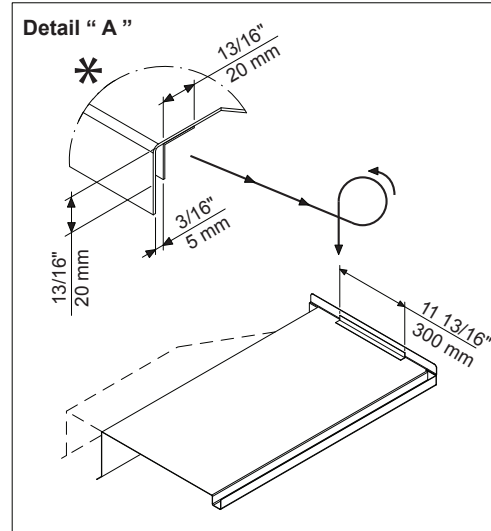
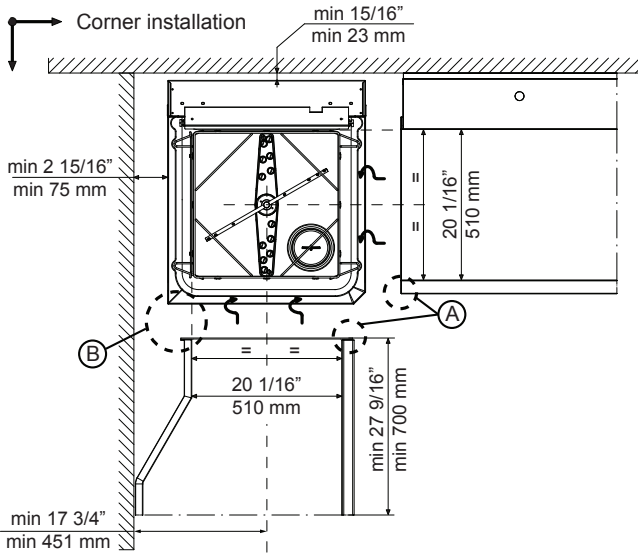
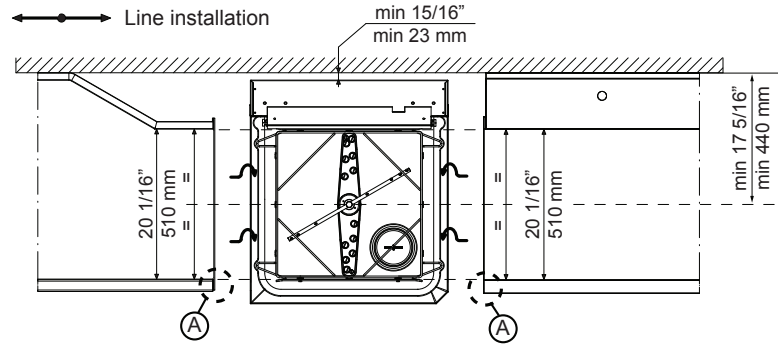




VDH63/1 Hoodtype Dishwasher

504294 - Hood type insulated dishwasher with double skin hood, detergent and rinse aid dispenser, 63 racks/h, 208V/ 1ph/ 60Hz

Recommended table connection



All tables must be connected to the dishwashing units according to local regulations and industry standards which may differ from the recommendations herein suggested. Veetsan is not liable for any failure in complying with local design standards.