



No Hoods? No Vents? No Problem!

***Small Space. BIG Profits.
A high-speed oven that truly delivers.***



Ventless Operation – The MultiChef XS high speed oven is equipped with its own internal **ventilation system**, so you'll save money as there is no need to install any costly vents or hoods to operate. With **high profit margins and short cook times**, this high-speed oven can provide a **quick return on your investment**.



Digital Touchscreen – Your menu has **never been so easy to execute**. The unique software can display and function in multiple languages, hold up to 1024 recipes, and is organized with imagery making it effortless to operate in a fast-paced kitchen. The intuitive technology is key in the performance and functionality to cook, bake, and reheat efficiently.

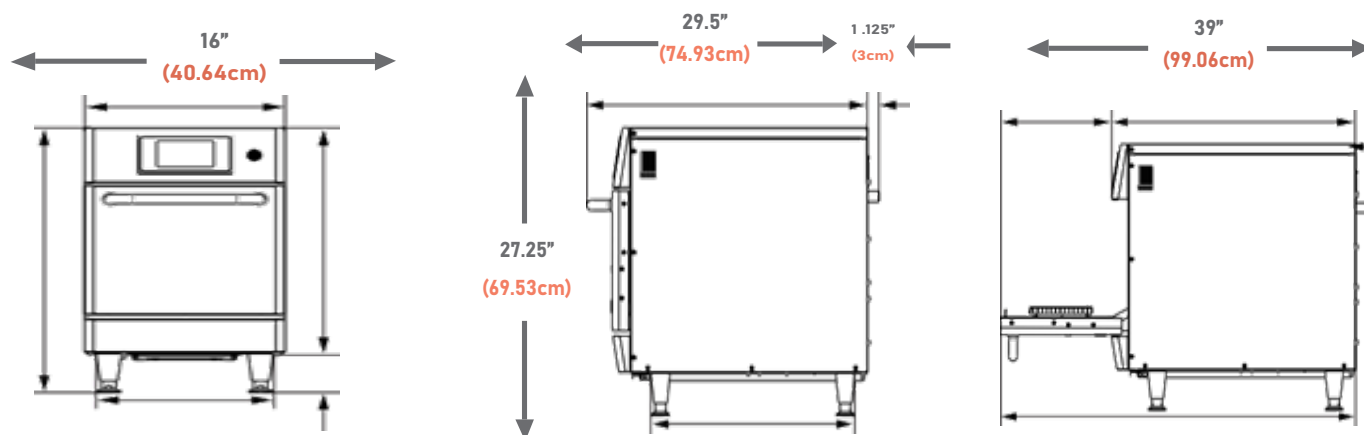


Ease of Use – MultiChef XS is extremely simple to use and clean, regardless of your kitchen knowledge level. With its **two step cooking system**, every menu item is just a few taps away! Plus with its **unique removable catalytic converter**, cleaning a high speed oven has never been easier.



Rapid Bake Technology – MultiChef XS uses convection, rapid impinged air, bottom infrared, and precision microwave. The MultiChef XS cuts **cook times by more than 80%**, transforming your business into a food preparation powerhouse.

MultiChef XS™ SPECIFICATIONS





FRONT VIEW

SIDE VIEW

CAPACITY

External Dimensions	16" Wide x 30.75" Deep x 27.375" High (40.6cm Wide x 78.11cm Deep x 69.5cm High)
Internal Dimensions	13.25" Wide x 11.25" Deep x 7.25" High (33.66cm Wide x 28.58cm Deep x 18.44cm High)
Approximate Unit Weight	174 lbs. (78.92 kg)

ELECTRICAL

	North America		International
Voltage	208 V	240 V	230 V
Phase	Single	Single	Single
Frequency (Hz)	60	60	50
Power	5.7kW	6.4kW	7.2kW
Circuit Required	30A	30A	32A
Plug Type	NEMA 6-30P (US) 		32 Amp (2P + T) 
Cord Length	6' (1.83m) Cord		
Cooking Temperature Range	86° - 530° F (30° - 276° C)		
Clearances	1" Left Side, 1" Right Side, 1" Back (7.6 cm)		

ACCESSORIES INCLUDED:

Pizza Peel, Panini Style Grill Plate, Solid Teflon Basket, and USB Drive with pre-programmed recipes.

SHIPPING

Approximate Crated Weight	220 lbs. (99.79 kg)
Approximate Shipping Crate Size	16.75" Wide x 32" Deep x 31.5" High (42.54cm Wide x 81.28cm Deep x 80.01cm High)



WARRANTY

1 Year Parts/Labor

NOTES

We reserve the right to change specifications appearing upon this brochure without notice and without incurring any obligation for the equipment.

Rev 09/2022



Your Source for Ventless
Kitchen Solutions



www.MultiChef.com
www.MTIproducts.com



P: 800-348-2976
P: 508-460-9800
F: 508-393-5718



1 Bonazzoli Ave
Hudson, MA 01749 USA