

HEATSTRIP®



OUTDOOR ELECTRIC RADIANT HEATERS

October 2010

New - Mounting Accessory Options

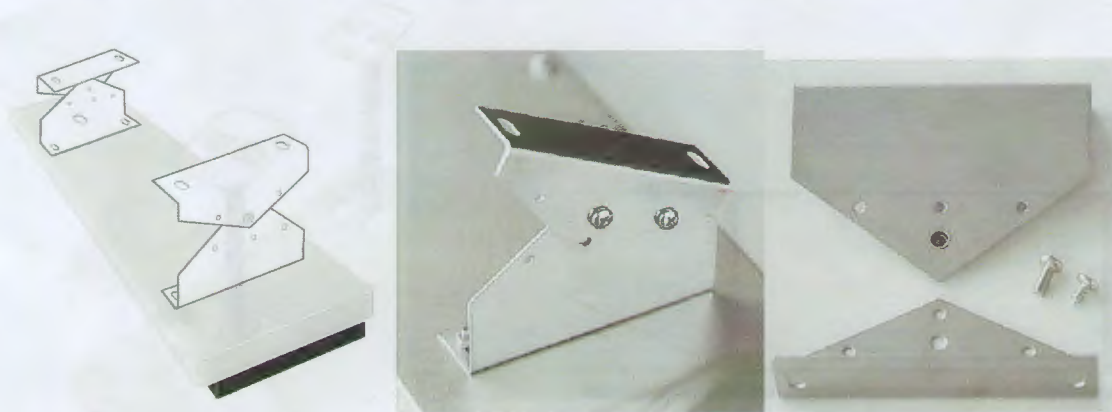
Thermofilm Australia Pty Ltd is proud to release several new and exciting mounting options for the award winning HeatStrip® electric radiant heater. These new accessories will give extra flexibility when mounting the HeatStrip® both indoors and outdoors in commercial and residential projects.

The new mounting accessories include:

- Chain/wire suspension brackets for lowering HeatStrip® from a high ceiling.
- Extension pole mount kits, for fixed installations and lowering of HeatStrip® from a high ceiling.
- Flush Mount Enclosure to allow the HeatStrip® to be mounted flush into a ceiling.
- Twin Mount Brackets for easy installation of 2 angled HeatStrips®.

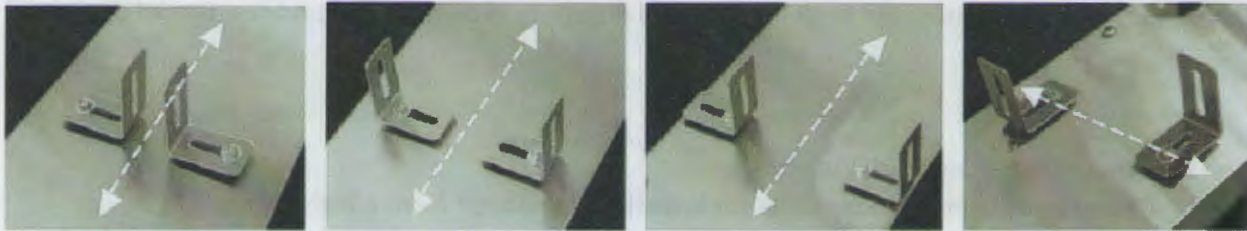
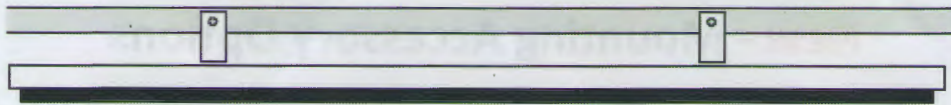
1. Standard Mounting Brackets

Two piece stainless steel brackets (2 nos) are currently included as standard with all HeatStrip® models. These are suitable for direct ceiling mount, or angle mounting on a wall or ceiling. Minimum mounting height is 2.1m from ground level.



2. Pole / Beam Mounting Brackets – THHPMB-SS

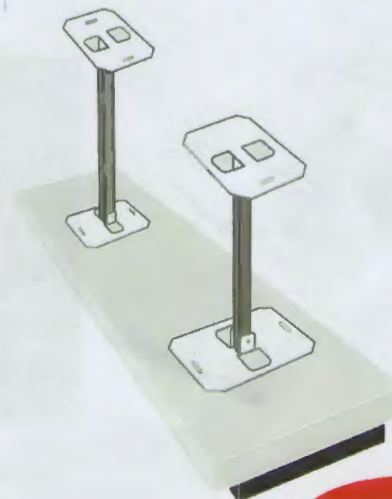
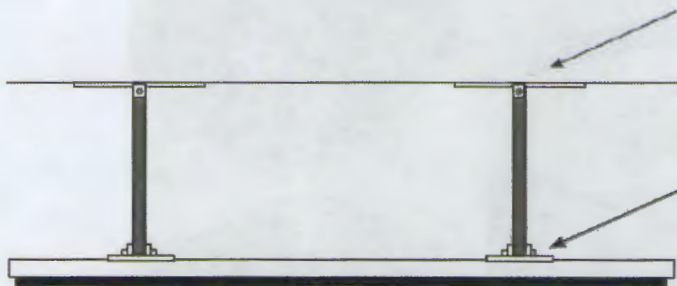
The optional pole or beam mount brackets allow secure mounting of HeatStrip® to timber or metal beams, rafters and umbrella supports. Adjustment of the bracket positions allows a number of mounting possibilities for narrow and wide beams, including positioning that is parallel or at right angles to the heater. The minimum beam width is 25mm and maximum width is 170mm. When used with round poles or umbrella struts, the minimum diameter is 25mm and maximum is 75mm.



Part Number – THHPMB-SS (includes a set of 4 x stainless steel 90° brackets, enough for one Heatstrip® heater)

3. Extension Mount Bracket Kits – **New** (THH-EMB & THHEMBPSS-xxx)

In applications where there are high ceiling (ie. more than 2.7m), we would recommend the heaters are lowered to a height of 2.3m to 2.7m above ground level, for maximum efficiency. The extension mount bracket kits allow this to be performed, using rigid stainless steel tubes. The tubes kits can now be supplied in lengths of 300mm, 600mm, 900mm and 1200mm to suit all ceiling heights. The extension tubes are used with the THH-EMB extension mount bracket. Please refer to the table on the last page for further details, part numbers etc.

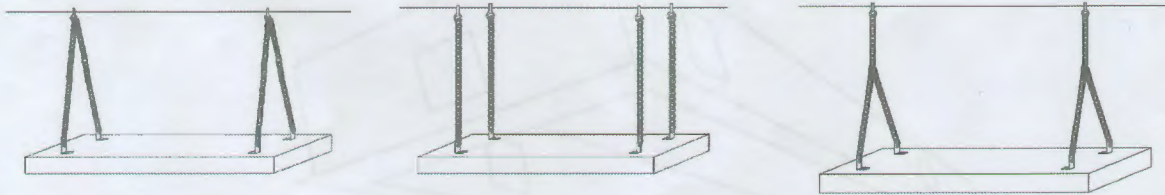
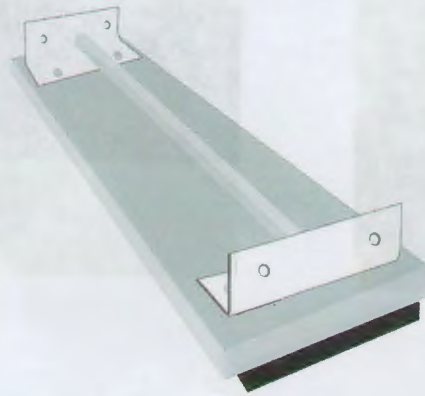


4. Suspension/Chain Mount Brackets – **New** (THHSMB-xxx)

In applications where there are high ceiling (ie. more than 2.7m), we would recommend the heaters are lowered to a height of 2.3m to 2.7m above ground level, for maximum efficiency. The suspension mount bracket allows this by using chains or wire. The heater can easily be lowered to any height, giving added flexibility. The bracket is attached to the back of the HeatStrip® and then connected by chains or wire via the mounting eye-lets.

For any installations where the Heatstrip® is suspended from the ceiling with chains or wires, the suspension bracket must be used. The standard ceiling bracket (supplied with all Heatstrip®) should not be used for chain or wire suspension and will void the warranty.

Please refer to the table on the last page for further details, part numbers etc.



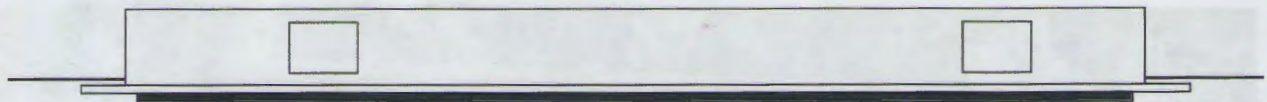
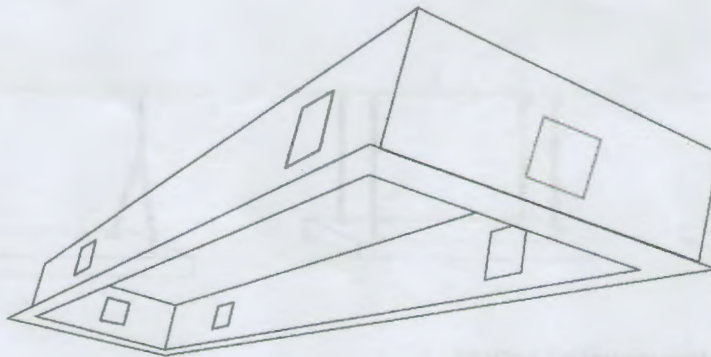
Above: Various chain and wire mounting options.

Below: the suspension bracket attaches to the back of the Heatstrip®.



5. Flush Mount Enclosure Kits – **New** (THHFME1800 & THHFME-2400)

The new HeatStrip® flush mount enclosure kit allows models THH1800 & THH2400 to be installed fully flush with a ceiling (eg. Plaster etc.). The kit is constructed of one-piece stainless steel, and supplied with brackets to mount the HeatStrip® within the enclosure, providing a high class, flush finish for the heaters. This enclosure is suited to a wide range of applications, both residential and commercial. Maximum ceiling height recommended is 3.0m, with an ideal mounting height of 2.3m to 2.7m.



Above: Heatstrip® flush mounted in an al-fresco area, and line-drawings of the enclosure.

HEATSTRIP[®]

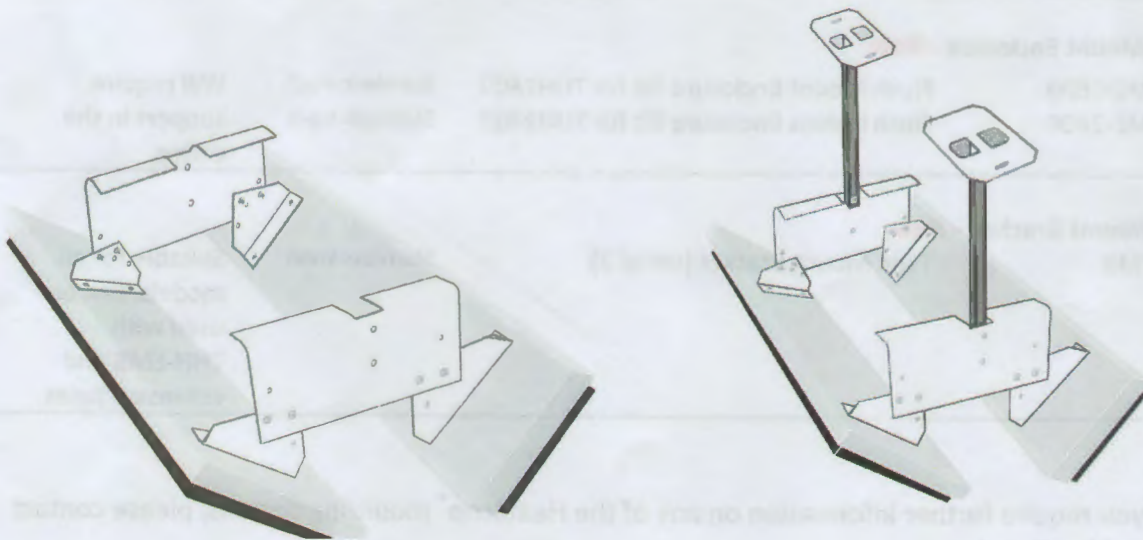


OUTDOOR ELECTRIC RADIANT HEATERS

6. Twin Mount Bracket – **New** (THH-TMB)

In some situations, it is preferable to have the Heatstrip[®] ceiling mounted in sets of 2, and angled down over tables, dining areas, service/assembly areas etc. The new twin mount brackets now makes this simple.

The twin mount brackets connect to the standard bracket supplied with each Heatstrip[®], and can also be lowered from the ceiling with the extension mount bracket kit.



Twin mount bracket for standard ceiling mount

Twin mount bracket with extension poles & bracket (THH-EMB & THHEMBPSS-0300)

HeatStrip® Mounting Accessory part numbers and general information.

Part Number	Description	Material	Comments
THHPMB-SS	Pole/Beam Mount Kit (set of 4 x 90° brackets)	Stainless steel	Suitable for all models
THH-EMB	Extension Mount bracket (set of 4 brackets)	Stainless steel	Suitable for all models

Extension Pole/Tube Kits - New

THHEMBPSS-0300	Extension pole kit, 300mm (set of 2)	Stainless steel	For use with
THHEMBPSS-0600	Extension poles, 600mm (set of 2)	Stainless steel	THH-EMB. Suitable
THHEMBPSS-0900	Extension poles, 900mm (set of 2)	Stainless steel	for all models.
THHEMBPSS-1200	Extension poles, 1200mm (set of 2)	Stainless steel	

For a complete extension kit assembly, order 1 x pole/tube kit (THHEMBPSS-xxx) and 1 x THHEMB per heater

Suspension Mount Brackets - New

THHSMB-1800	Suspension bracket for THH1800	Powder coated	Requires
THHSMB-2400	Suspension bracket for THH2400	Powder coated	suspension by
THHSMB-3200	Suspension bracket for THH3200	Powder coated	chains or wire

Flush Mount Enclosure - New

THHFME-1800	Flush Mount Enclosure Kit for THH1800	Stainless steel	Will require
THHFME-2400	Flush Mount Enclosure Kit for THH2400	Stainless steel	support in the
			ceiling

Twin Mount Bracket - New

THH-TMB	Twin Mount Bracket (set of 2)	Stainless steel	Suitable for all models. Can be used with THH-EMB and extension poles
---------	-------------------------------	-----------------	---

Shall you require further information on any of the HeatStrip® mounting options, please contact Thermofilm directly.

Thermofilm Australia Pty Ltd
 27 Rosalie St, Springvale, Victoria
 Tel: 03 9562 3455
 Fax: 03 9548 3979
 Email: sales@thermofilm.com.au
 Web: www.thermofilm.com.au

