



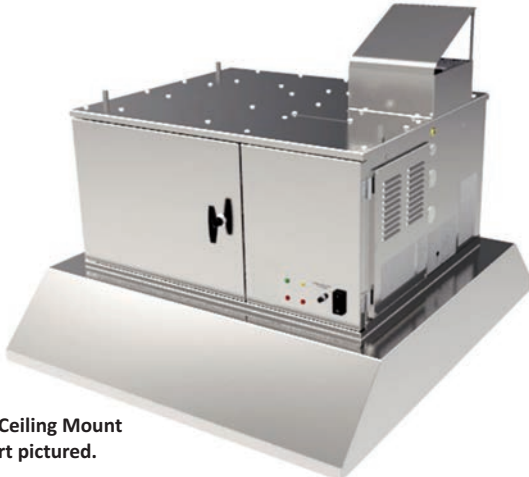
Responsive. Reliable.

ISO 9001-2015

Project Name/No: _____ Item No: _____

Quantity: _____ SIS#: _____ AIA/CSI#: _____

Ventless Hood Model OVH-10



Universal Ceiling Mount (UCM) Skirt pictured.

- The compact, simple design of the OVH-10 Ventless Recirculating Hood eliminates the need for expensive kitchen or building modifications, and the hassles of dealing with installation, or expansion, of a conventional ventilation hood system.
- Our one-of-a-kind, stainless steel, recirculating hood can be used with certain UL-listed appliances and features Giles proven 3-stage Electrostatic Air Cleaning system, which effectively meets requirements (**UL-197 & applicable UL-710B sections**) for capture and removal of grease-laden vapor for a variety of foodservice appliances.

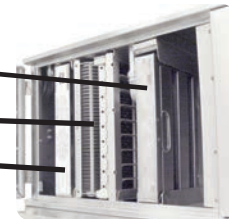
Design Features

Ventless Hood System 3-Stage Air Cleaning:

Stage 1 - Stainless Steel Baffle Filter traps large grease particulate.

Stage 2 - Electrostatic Air Cleaner (EAC) negatively charges fine particulate allowing it to be electrostatically collected on fins within the cell.

Stage 3 - Disposable Charcoal Filter helps eliminate cooking odors.



Standard Features:

- Built-in interlock relay, Hood must be running properly before the served appliance is powered.
- Easy opening, hinged, Filter Access Door w/locking handle.
- Exhaust air diverter ... reduces required ceiling clearance.
- Interlocked power switch prevents unattended restart of Hood+Appliance after a power failure.
- Complete Filter set.
- Soaking Tank for cleaning the EAC Cell.

Options Available:

- Fire Suppression system configuration (piping, nozzles, fusible link brackets, conduit).
- Interlocked appliance power receptacle and Hood power cord with plug; provides "plug & play" installation.
- HEPA Filter substitute for Electronic Air Cleaner (EAC).
- 50 Hz WYE configuration wiring.
- EAC Filter Cleaning Timer alerts user to routine cleaning needs.

Many different **OVH-10 Hood Skirt** designs have been created, which allow for direct mounting of the Hood to specific makes and models of ovens, conveyor ovens and rotisseries. See the following Order Sheet Section, or contact Giles to see if there is one available for your particular application.

Appliance Constraints

Equipment Type	Max. Input Power (kW)	Clearances		
		Skirt Bottom to Top of Door or Conveyor Belt	Skirt Bottom to Top of Oven	Skirt Overhang @ Heated Oven Opening
Ovens	11.5	6" [153mm] max.	1" [25.4mm] min.	6" [153mm] min.
Conveyor Ovens	11.5	30" [762mm] max.	1" [25.4mm] min.	6" [153mm] min.
Rotisseries	6.2	6" [153mm] max.	1" [25.4mm] min.	6" [153mm] min.

IMPORTANT! Hood is listed **ONLY** for use with electrically heated appliances (**Natural or LP Gas is NOT approved**).

Giles Foodservice Equipment

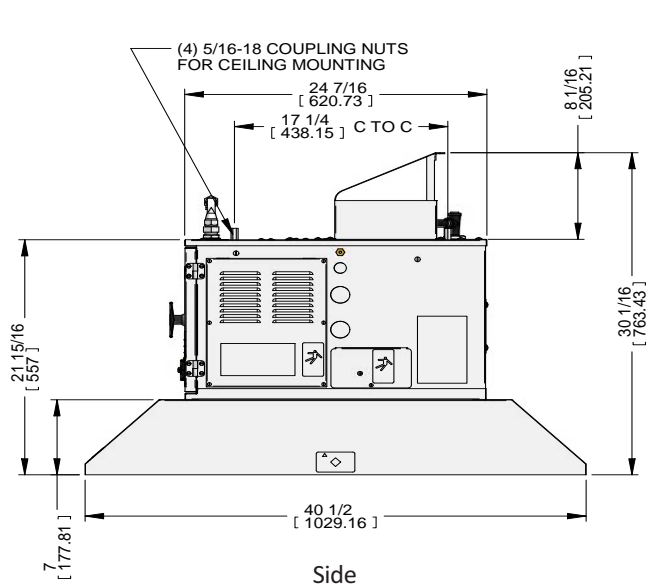
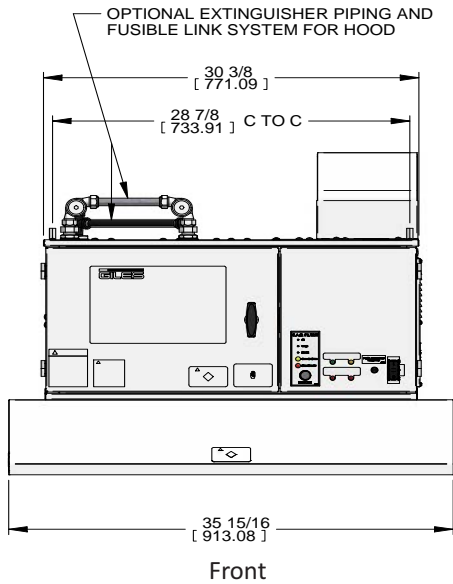
2750 Gunter Park Drive West • Montgomery, AL 36109 USA
 Phone: 334.272.1457 • Toll Free: 800.554.4537 • Fax 334.239.4117
 Website: www.gfse.com • Email: services@gfse.com

Ventless Hood

Model OVH-10

Project Name/No: _____ Item No: _____

Quantity: _____ SIS#: _____ AIA/CSI#: _____



NOTE:
Skirt style shown is the Universal Ceiling Mount (UCM). Other styles may result in different overall dimensions.

Inches [mm]

Specifications

Construction: Exterior structure 18-Ga + 20-Ga Stainless Steel ... Interior structure 18-Ga Aluminized Mild Steel

Dimensions: for Hood with UCM Skirt; other styles will differ

Width	Depth	Height
35-15/16" [913mm]	40-1/2" [1029mm]	30-1/16" [764mm]

Ventless Hood:

- Exhaust CFM: 215 - 307
- Approx. Sound Level: 65 dB
- Uncrated Weight: 130 lbs [59 kg] (will vary with skirt style)

Electrical Specifications: (Hood Only)

Voltage	Phase	Amps
208-240	1 or 3	3

- Power cord NOT provided; unit must be field wired.
- Cord with plug is available as an optional configuration.

Shipping Specifications: Freight Class 125

Width	Depth	Height	Cube	Crated Weight
49" [1245mm]	47" [1194mm]	33" [838mm]	43.9 ft ³ [1.24 m ³]	221 lbs [100 kg]

Included Accessories:

(1) Baffle Filter (1) EAC Filter Cell (1) Charcoal Filter (1) EAC Soaking Tank

Before Ordering

- **Local Code**
Confirm that local code permits use of Ventless Recirculating Hoods.
- **Appliance Constraints**
Verify that the appliance meets the specified hood constraints (table on front). Please contact Giles if there is a question about whether the OVH-10 is approved for your intended appliance application.
- **Electrical Specifications**
Determine if available electrical specification of the Hood complies with the power supply at intended installation location.
- **Determine OVH-10 Model**
See the Order Sheet for available Direct Mount OVH-10 Hoods. If your specific appliance is not listed, specify the Universal Ceiling Mount (UCM) model, or contact Giles about the possibility of creating a skirt for the particular application.
- **Determine Options Desired:**
 - **Fire Extinguishing System**
Local code may require this type Hood be equipped with a Fire Suppression System. The option provides factory-installed piping, nozzles, and fusible link conduit and brackets. **Other components and final system installation must be preformed by a certified Fire Protection Agent, to be provided by the customer.**

Options (continued):

- **Power Cord w/Plug & Receptacle**
Built-in, interlocked, power receptacle for appliance ... plug-in power cord on Hood. Provides easy install "plug & play" functionality; no field wiring. 50A maximum appliance load. Please contact Giles for details.
- **50-Hz Configuration**
Typically for export locations requiring 50-Hz, WYE load configuration (4-wire + grnd).
- **HEPA Filter**
Substitute for the Electronic Air Cleaner (EAC) system. Uses replaceable HEPA filter to provide ultimate filtration. Filter cannot be cleaned; must be replaced periodically. **This option may not be suitable for all applications; please contact Giles for additional information.**
- **Determine Additional Accessories needed:**
Purchased separately; specify part number & quantity.
- **Shipping:**
Specify preferred shipping method.

Specifications and/or product design are subject to change without notice. Such revisions do not entitle the buyer to corresponding changes, improvements, additions or replacements for previously purchased equipment.

Order Sheet for OVH-10

Select Hood Model (Choose Ceiling Mount - OR - one from the list of available Direct Mount models)

• Ceiling Mount Hood - Hanging over Appliance

<input checked="" type="checkbox"/>	Part No.	Hood Description	Hood Electrical Spec	Appliance Manufacturer	Model	Oven Type
	79873	HOOD, OVH-10, UCM, 208-240/60/1	208-240/60/1	All	Universal	See Appliance Constraints

• Direct Mount Hood - Attached to Appliance

<input checked="" type="checkbox"/>	Part No.	Hood Description	Hood Electrical Spec	Appliance Manufacturer	Model	Oven Type
	71130	HOOD, OVH-10, APW 1422	208-240/60/1	APW Wyott	1422	Conveyor
	79881	HOOD, OVH-10, CTX-24	208-240/60/1	Middleby-Marshall	CTX-24	Conveyor
	79006	HOOD, OVH-10, CTX-26	208-240/60/1	Middleby-Marshall	CTX-G26	Conveyor
	71714	HOOD, OVH-10, BELLECO	208-240/60/1	Belleco	MGD-18	Conveyor
	79897	HOOD, OVH-10, HOLMAN QM14	208-240/60/1	Holman	QM14	Conveyor
	71555	HOOD, OVH-10, HOLMAN QT14	208-240/60/1	Holman	QT14	Conveyor
	71531	HOOD, OVH-10, HOLMAN 214HX	208-240/60/1	Holman	214HX	Conveyor
	79877	HOOD, OVH-10, LINCOLN 1300	208-240/60/1	Lincoln	1300 SERIES	Conveyor
	71424	HOOD, OVH-10, LINCOLN 2500	208-240/60/1	Lincoln	2500 SERIES	Conveyor
	71546	HOOD, OVH-10, SAVORY SCT-10	208-240/60/1	Savory	SCT-10	Conveyor
	71547	HOOD, OVH-10, Q-MATIC 20E	208-240/60/1	Q-Matic	20E	Conveyor
	79885	HOOD, OVH-10, BLODGETT CTB1	208-240/60/1	Blodgett	CTB-1 / 2, CTBR-1 / 2	Oven
	79889	HOOD, OVH-10, BP P44S	208-240/60/1	Baker's Pride	P44S	Deck Oven
	71361	HOOD, OVH-10, BRICKLYN	208-240/60/1	Bricklyn	QUICK BRICK OVEN	Oven
	71442	HOOD, OVH-10, CLVLND OES-6.08 (FRNT FILT)	208-240/60/1	Cleveland	OES 6.08	Oven
	71443	HOOD, OVH-10, CLVLND OES-6.08 (SIDE FILT)	208-240/60/1	Cleveland	OES 6.08	Oven
	70972	HOOD, OVH-10, MOFFAT-31	208-240/60/1	Moffat	31	Oven
	70974	HOOD, OVH-10, MOFFAT-32	208-240/60/1	Moffat	32	Oven
	79893	HOOD, OVH-10, ROFRY	208-240/60/1	Rofry	ROFRY	Oven
	71126	HOOD, OVH-10, HOBART HR5	208-240/60/1	Hobart	HR5	Rotisserie
	71554	HOOD, OVH-10, GILES RT-5	208-240/60/1	Giles	RT-5	Rotisserie
	71572	HOOD, OVH-10, LANG EHS-PP	208-240/60/1	Lang	EHS-PP	Oven

• Select Option(s) to be factory installed (Choose Standard or combination of Options)

To specify Hoods with Options, append desired Option Code (or multiple Codes in ascending order) to the base Hood Part Number as: **XXXXX-3, XXXXX-35, etc.** ONLY the base part number is ordered for a standard Hood.

<input checked="" type="checkbox"/>	Option Code	Description
	-----	STANDARD - NO OPTIONS
	3	FIRE EXTINGUISHING SYSTEM PIPING & LINK CONDUIT
	4	PLUG & RECEPTACLE, 250V, 1-PH, 50A, NEMA 6-50
	5	PLUG & RECEPTACLE, 250V, 3-PH, 50A, NEMA 15-50
	6	50-Hz POWER
	8	HEPA FILTER VERSION HOOD

ONLY (1) of these Options may be specified per Hood

• Select Extra Items - Sold separately (specify quantity)

Qty.	Part No.	Description
	22360	EAC FILTER
	31963	CHARCOAL FILTER
	39325	EAC SOAK TANK

Giles Foodservice Equipment

2750 Gunter Park Drive West • Montgomery, AL 36109 USA
 Phone: 334.272.1457 • Toll Free: 800.554.4537 • Fax 334.239.4117
 Website: www.gfse.com • Email: services@gfse.com