
FT

Four Tub Storage
Freezer



FT4



Profit from the Power of Partnership.

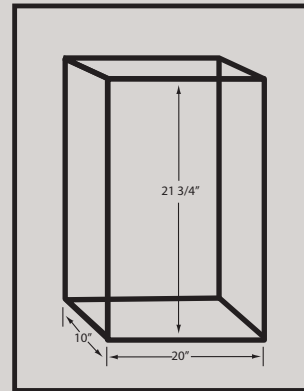
800.441.4014

www.excellenceindustries.com

FT Four Tub Storage Freezer



FT Internal Dimensions



Technical Summary

Model	Size				Electrical			Refrigeration		Other		
	Dimensions (inches) Length x Depth x Height	Cubic Feet	Net Weight (lbs.)	Shipping Weight (lbs.)	Voltage/Hz/Phase	Running Amps	KWh/24hr	Compressor HP	Refrigerant	Temperature	Capacity: 3-Gallon Cans	Container Quantity
FT-4	25 x 15 x 38 1/4	2.8	80	100	115/60/1	1.4	1.0	1/8	R-134a	+19° to -13°F	4 (2 facings)	170

SPECIAL FEATURES

- Stainless steel exterior & interior
- Heavy-duty metal hinges for flip-flop lids
- Casters - 2 locking
- Integrated lid stop protectors
- Optional locking device
- Small footprint
- Recessed door handles



Profit from the Power of Partnership.

Excellence Industries is a division of Stajac Industries, Inc. The company reserves the right to change the design and/or specifications of these products without notice. Printed in the U.S.A. (3/15)

Innovation
Logistics
Distribution
Leasing
Service
Refurbishing
Recycling

3710 Corporex Park Drive, Ste. 100 | Tampa, FL 33619 | 800.441.4014

www.excellenceindustries.com