

BACK MOUNT MEGA-TOP SANDWICH PREP. TABLES

Back Mounted Condensing Unit



EVEREST
REFRIGERATION
www.EVERESTref.com

EPB – Series

- EPBR1 • EPBSR2 • EPBR2 • EPBWR2 • EPBR3



EPBR1



EPBSR2



EPBR2



EPBWR2



EPBR3

Cabinet Construction

Heavy duty stainless steel interior and exterior, galvanized steel finished bottom and back wall of exterior. High quality 16 gauge stainless steel worktop, top lid and hood. 2.5" thick high density foamed-in-place polyurethane insulation. Four 4" diameter casters (front casters with brakes). Door heater installed around inside cabinet frame to prevent moisture build-up.

Refrigeration System

- Back mounted condensing unit
- Oversized condenser and evaporator coils quickly achieve and maintain desired temperature
- Forced-air cooling with oversized evaporator fan motors providing balanced airflow throughout cabinet to ensure faster temperature drop
- Slide-out condensing unit for convenient repair and maintenance
- Front air breathing for built-in applications
- Environmentally friendly CFC free R-134A refrigerant
- Air defrost controlled by electrical timer
- Copper tube and aluminum fin evaporator with anti-corrosive coating
- Energy efficient condensate drain pan assembly heated by high side copper tube
- Pressure relief port for rapid cabinet re-entry
- Pre-wired and ready to plug, 115V/60Hz/1Ph, NEMA 5-15P

Doors

- Heavy duty stainless steel interior and exterior
- 2.5" thick high density foamed-in-place polyurethane insulation
- Rounded corners for a sleek and modern appearance
- Heavy duty adjustable torsion spring self-closing door system
- One piece snap-in magnetic door gaskets for easy replacement
- Heavy duty recessed door handles for a flat surface

Preparation Area

- Mega-top, three rows of 1/6 sized pans
- 1/2" thick foam insulated lids to prevent moisture build-up and heat exchange
- Removable and adjustable sanitary 9 1/8" deep cutting board
- Sanitary polycarbonate pans

Shelving

- One epoxy coated wire shelf per section
- Stainless steel pilasters and shelf clips

Temperature Control

- Factory preset temperature, 35°F
- Temperature setting range from 32°F to 42°F
- Easy to set analog thermostat

• Project / Customer _____

• Item No. _____

• Model No. _____

Warranty

5 Year — Compressor Warranty
3 Year — Parts & Labor Warranty
Applicable to units purchased after July 1, 2014.

Contact

201 W. Artesia Blvd, Compton, CA 90220
T. (310) 323-6586, (800) 444-6285
F. (310) 323-7524, (310) 761-1127



BACK MOUNT MEGA-TOP SANDWICH PREP TABLES

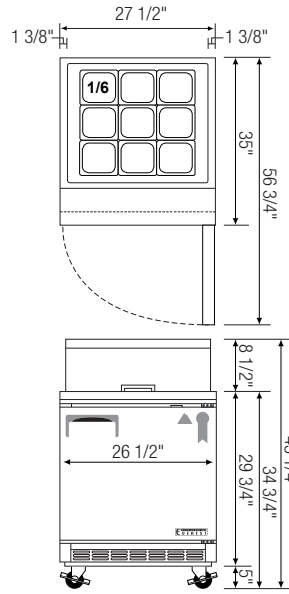
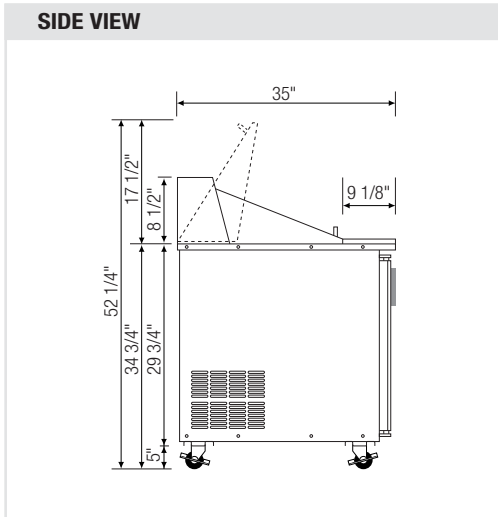
Back Mounted Condensing Unit



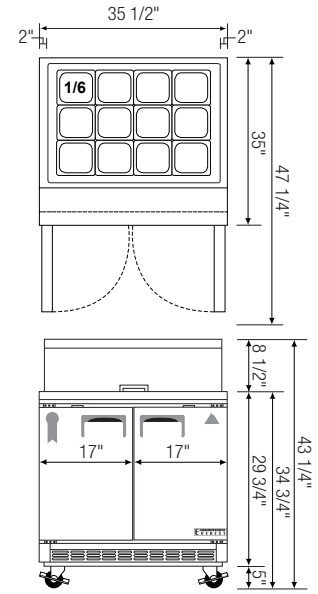
EPB – Series

• EPBR1 • EPBSR2 • EPBR2 • EPBWR2 • EPBR3

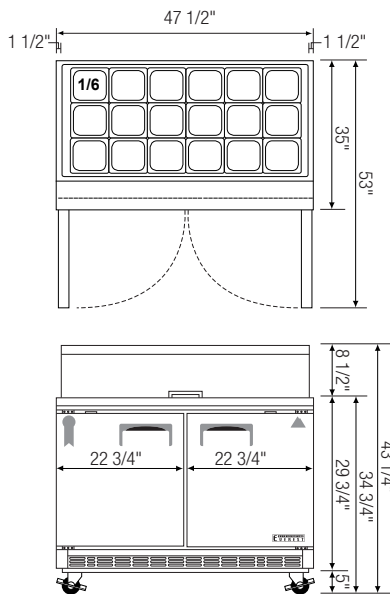
Dimensions



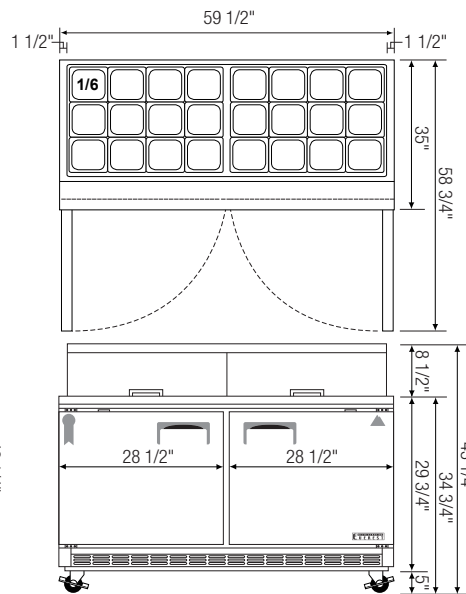
▲ EPBR1



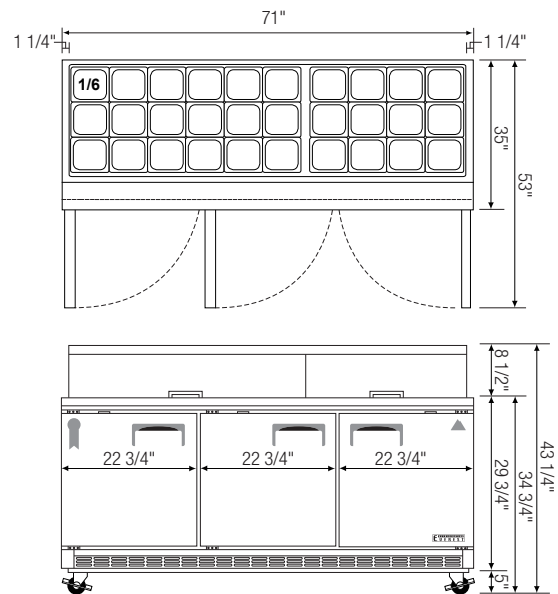
▲ EPBSR2



▲ EPBR2



▲ EPBWR2



▲ EPBR3

Model	Ref/ Frz/ Dual	# of Doors	Capacity (Cu.Ft.)	HP	Refrigerant	# of Shelves	# of Pans	Power (V-Hz-Ph)	Amps	Crated Weight (LBS)	Exterior Dimensions (Inches)			* Height does not include 5" for casters † Depth includes 9 1/8" cutting board Ref = Refrigerator Frz = Freezer Dual = Ref & Frz Combo
											L	D †	H *	
EPBR1	Ref	1	6.5	1/6	R-134A	1	1/6 X 9	115-60-1	4.00	220	27 1/2	35	38 1/4	
EPBSR2	Ref	2	8.5	1/6	R-134A	2	1/6 X 12	115-60-1	4.20	262	35 1/2	35	38 1/4	
EPBR2	Ref	2	11.8	1/4	R-134A	2	1/6 X 18	115-60-1	4.20	325	47 1/2	35	38 1/4	
EPBWR2	Ref	2	15	1/3	R-134A	2	1/6 X 24	115-60-1	5.01	381	59 1/2	35	38 1/4	
EPBR3	Ref	3	18.3	1/3	R-134A	3	1/6 X 30	115-60-1	5.20	445	71	35	38 1/4	

Disclaimer: Product dimensions are for general purposes and not absolute value. Slight variations may exist. If dimensions are critical, please contact Everest.