

BACK MOUNT UNDERCOUNTER REFRIGERATORS

Back Mounted Condensing Unit



EVEREST
REFRIGERATION

www.EVERESTref.com

ETB – Series

• ETBR1 • ETBSR2 • ETBR2 • ETBWR2 • ETBR3



ETBR1



ETBSR2



ETBR2



ETBWR2



ETBR3

Cabinet Construction

Heavy duty stainless steel interior and exterior, with galvanized steel finished bottom and back wall of exterior. High quality 16 gauge stainless steel worktop, ABS evaporator drain cover. 2.5" thick high density foamed-in-place polyurethane insulation. Four 4" diameter casters (front casters with brakes). Door heater installed around inside cabinet frame to prevent moisture build-up.

Refrigeration System

- Back mounted condensing unit
- Oversized condenser and evaporator coils quickly achieve and maintain desired temperature
- Forced-air cooling with oversized evaporator fan motors providing balanced airflow throughout cabinet to ensure faster temperature drop
- Slide-out condensing unit for convenient repair and maintenance
- Front air breathing for built-in applications
- Environmentally friendly CFC free R-134A refrigerant
- Air defrost controlled by electrical timer
- Copper tube and aluminum fin evaporator with anti-corrosive coating
- Energy efficient condensate drain pan assembly heated by high side copper tube
- Pressure relief port for rapid cabinet re-entry
- Pre-wired and ready to plug, 115V/60Hz/1Ph, NEMA 5-15P

Doors

- Heavy duty stainless steel interior and exterior
- 2.5" thick foamed-in-place polyurethane insulation
- Rounded corners for a sleek and modern appearance
- Heavy duty adjustable torsion spring self-closing door system
- One piece snap-in magnetic door gaskets for easy replacement
- Heavy duty recessed door handles for a flat surface
- All 2014 and newer models come standard with door locks

Shelving

- Two epoxy coated wire shelves per section
- Stainless steel pilasters and shelf clips

Temperature Control

- Factory preset temperature, 35°F
- Temperature setting range from 32°F to 42°F
- Easy to set analog thermostat

Option

- 4" high stainless steel backsplash for worktop use

• Project / Customer _____

• Item No. _____

• Model No. _____

Warranty



5 Year — Compressor Warranty
3 Year — Parts & Labor Warranty
Applicable to units purchased after July 1, 2014.

Contact



201 W. Artesia Blvd, Compton, CA 90220
T. (310) 323-6586, (800) 444-6285
F. (310) 323-7524, (310) 761-1127



BACK MOUNT UNDERCOUNTER REFRIGERATORS

Back Mounted Condensing Unit



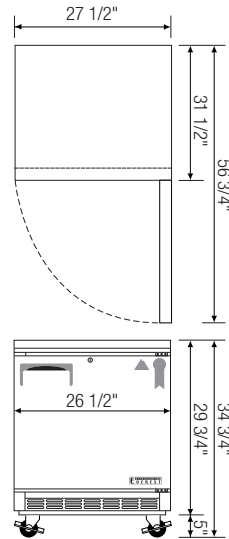
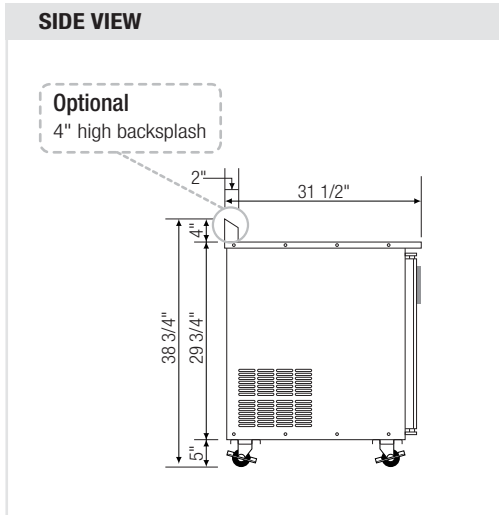
EVEREST
REFRIGERATION

www.EVERESTref.com

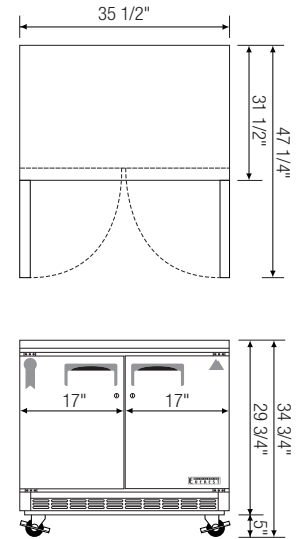
ETB – Series

• ETBR1 • ETBSR2 • ETBR2 • ETBWR2 • ETBR3

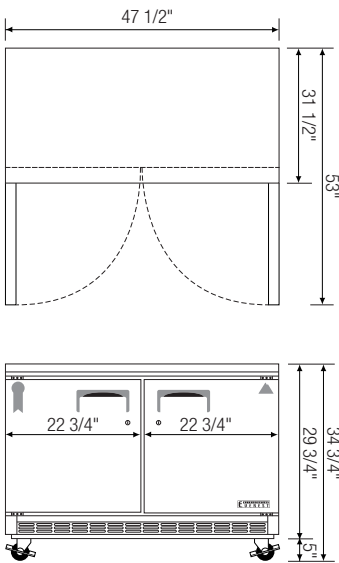
Dimensions



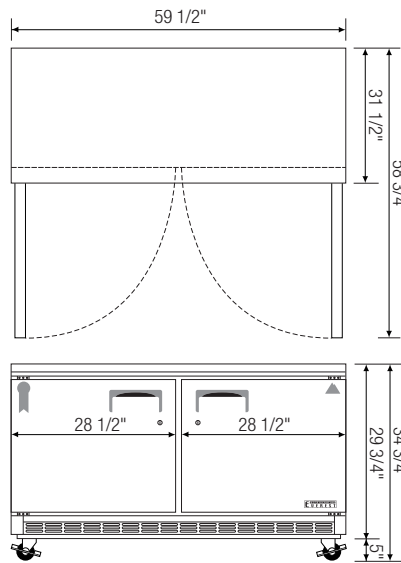
▲ ETBR1



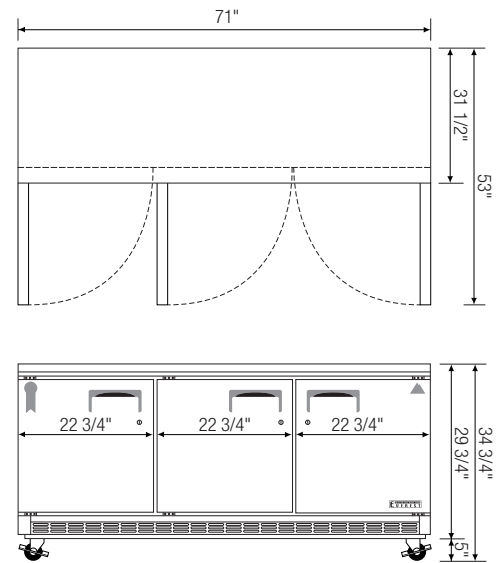
▲ ETBSR2



▲ ETBR2



▲ ETBWR2



▲ ETBR3

Model	Ref/ Frz/ Dual	# of Doors	Capacity (Cu.Ft.)	HP	Refrigerant	# of Shelves	Power (V-Hz-Ph)	Amps	Crated Weight (LBS)	Exterior Dimensions (Inches)			* Height does not include 5" for casters Ref = Refrigerator Frz = Freezer Dual = Ref & Frz Combo
										L	D	H *	
ETBR1	Ref	1	5.6	1/6	R-134A	2	115-60-1	4.10	181	27 1/2	31 1/2	29 3/4	
ETBSR2	Ref	2	7.5	1/6	R-134A	4	115-60-1	4.40	213	35 1/2	31 1/2	29 3/4	
ETBR2	Ref	2	10.3	1/6	R-134A	4	115-60-1	4.40	256	47 1/2	31 1/2	29 3/4	
ETBWR2	Ref	2	15	1/4	R-134A	4	115-60-1	4.70	311	59 1/2	31 1/2	29 3/4	
ETBR3	Ref	3	18.3	1/3	R-134A	6	115-60-1	5.20	353	71	31 1/2	29 3/4	

Disclaimer: Product dimensions are for general purposes and not absolute value. Slight variations may exist. If dimensions are critical, please contact Everest.