

# PIZZA PREP. TABLES

## Side Mounted Condensing Unit



### EPP – Series

• EPPR1 • EPPSR2 • EPPR2 • EPPR3



EPPR1



EPPSR2



EPPR2



EPPR3

### Cabinet Construction

Heavy duty stainless steel interior and exterior, galvanized steel finished bottom and back wall of exterior. High quality 16 gauge stainless steel worktop, top lid and hood. 2.5" thick high density foamed-in-place polyurethane insulation. Four 4" diameter casters (front casters with brakes). Door heater installed around inside cabinet frame to prevent moisture build-up.

### Refrigeration System

- Side mounted condensing unit for extra interior space compared to back mounted units
- Oversized condenser and evaporator coils quickly achieve and maintain desired temperature
- Forced-air cooling with oversized evaporator fan motors providing balanced airflow throughout cabinet to ensure faster temperature drop
- Removable side panel and slide-out condensing unit for convenient repair and maintenance
- Removable condenser coil air filter for easy cleaning
- Environmentally friendly CFC free R-134A refrigerant
- Air defrost, temperature initiated and terminated
- Copper tube and aluminum fin evaporator with anti-corrosive coating
- Energy efficient condensate drain pan assembly heated by high side copper tube
- Pressure relief port for rapid cabinet re-entry
- Pre-wired and ready to plug, 115V/60Hz/1Ph, NEMA 5-15P

### Doors

- High quality stainless steel interior and exterior
- 2.5" thick high density foamed-in-place polyurethane insulation
- Rounded corners for a sleek and modern appearance
- Heavy duty adjustable torsion spring self-closing door system
- One piece snap-in magnetic door gaskets for easy replacement
- Heavy duty recessed door handles for a flat surface

### Preparation Area

- 1/2" thick foam insulated lids to prevent moisture build-up and heat exchange
- Removable and adjustable sanitary 19 1/4" deep cutting board
- Sanitary polycarbonate pans

### Shelving

- Two epoxy coated wire shelves per section
- Stainless steel pilasters and shelf clips

### Temperature Control


- Factory preset temperature, 35°F
- Setting temperature range from 33°F to 54°F
- Easy to read digital temperature display
- Easy to program push button temperature control
- Microchip digital control and monitoring system with a variety of functions to monitor and maintain optimum temperature

• Project / Customer \_\_\_\_\_

• Item No. \_\_\_\_\_

• Model No. \_\_\_\_\_

### Warranty

 **5 Year — Compressor Warranty**  
**3 Year — Parts & Labor Warranty**  
Applicable to units purchased after July 1, 2014.

### Contact

 201 W. Artesia Blvd, Compton, CA 90220  
T. (310) 323-6586, (800) 444-6285  
F. (310) 323-7524, (310) 761-1127

# PIZZA PREP. TABLES

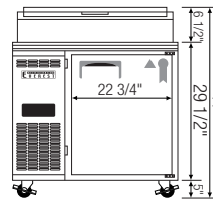
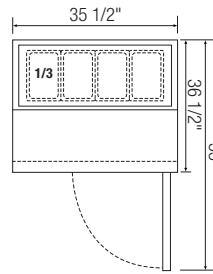
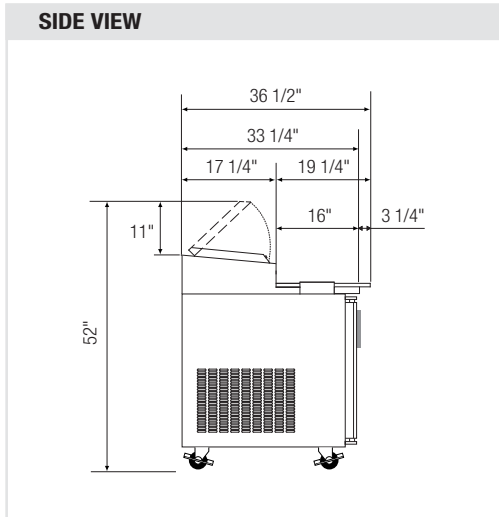
Side Mounted Condensing Unit



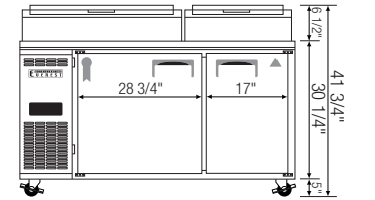
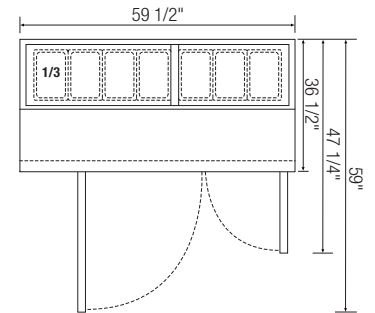
## EPP – Series

• EPPR1 • EPPSR2 • EPPR2 • EPPR3

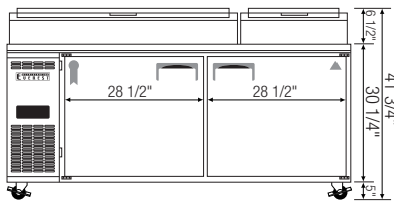
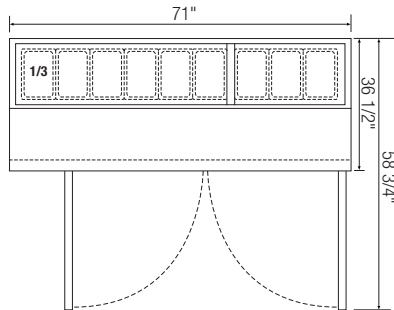
### Dimensions



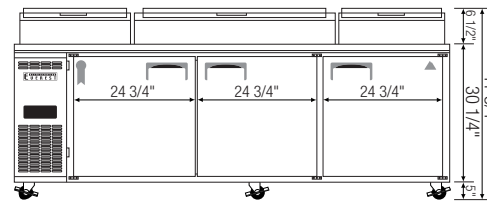
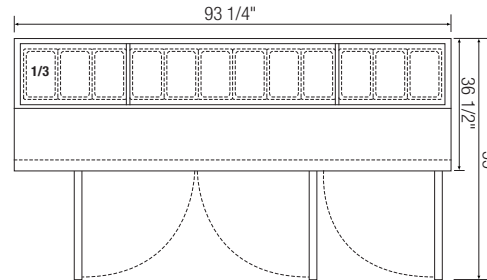
▲ EPPR1



▲ EPPSR2



▲ EPPR2



▲ EPPR3

Model	Ref/ Frz/ Dual	# of Doors	Capacity (Cu.Ft.)	HP	Refrigerant	# of Shelves	# of Pans	Power (V-Hz-Ph)	Amps	Crated Weight (LBS)	Exterior Dimensions (Inches)			* Height does not include 5" for casters † Depth includes 19 1/4" cutting board
											L	D †	H *	
EPPR1	Ref	1	9	1/4	R-134A	2	1/3 X 4	115-60-1	3.97	290	35 1/2	36 1/2	36 3/4	
EPPSR2	Ref	2	15	1/4	R-134A	4	1/3 X 7	115-60-1	4.50	394	59 1/2	36 1/2	36 3/4	Ref = Refrigerator Frz = Freezer Dual = Ref & Frz Combo
EPPR2	Ref	2	23	1/3	R-134A	4	1/3 X 9	115-60-1	6.30	445	71	36 1/2	36 3/4	
EPPR3	Ref	3	30	1/3+	R-134A	6	1/3 X 12	115-60-1	9.20	619	93 1/4	36 1/2	36 3/4	

Disclaimer: Product dimensions are for general purposes and not absolute value. Slight variations may exist. If dimensions are critical, please contact Everest.