



# WAFFLE BAKER

## CONCEPT

### ELECTRIC WAFFLE BAKER

*Heavy duty waffle bakers create evenly baked, great tasting, crispy golden-brown waffle. Watch your waffles raise your profits all day long*

- Fine grain cast iron plates for baking to perfection
- Heavy duty top plate assures even rising without clips, floating hinges or turning
- Special design of top and bottom plate outer rims minimizes batter overflow
- Waffle patterns: Brussels, Liege, Round, Cone
- Waffle-on-a-stick patterns: Silo, Cypress
- Powerful heating elements for fast preheat and recovery are thermostatically controlled up to 570°F
- Each heating zone is independently controlled with lighted on/off switch, pilot and temperature indicator lights
- Stainless steel base for lasting service
- Wraparound removable stainless steel drip tray for easy cleaning
- Ideal for breakfast, snacks and dessert or walk around foods



*Brussels pattern shown*

**AVAILABLE IN FOUR PATTERNS**



## SIERRA

**GES/1** - 120 V

**GES** - 208/240 V



*Round*

*Cypress*

*Silo*

Options: 5-min timer with bell signal

## TWIN PEAKS

**GED**

208/240 V



*Liege pattern shown*

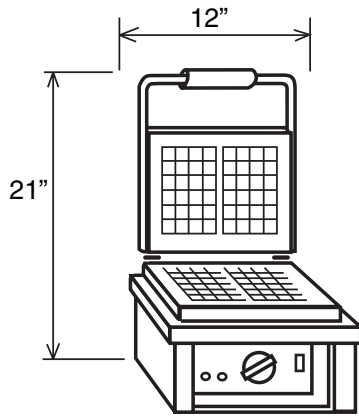
Options: two (2) 5-min timers with bell signal



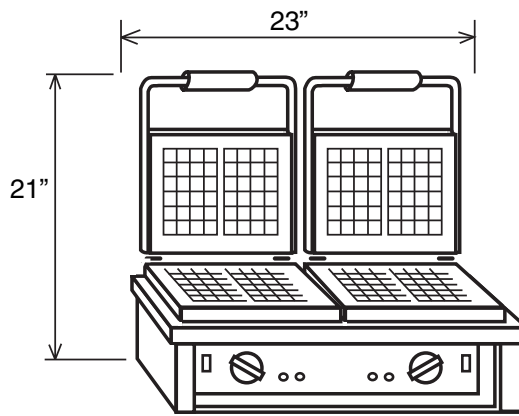
765 WESTMINSTER STREET PROVIDENCE, RI 02903  
 TEL: (401)273-3300 FAX: (401)273-3328 E-mail: sales@equipex.com  
 www.equipex.com



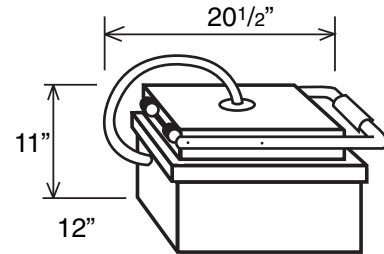
# ELECTRIC WAFFLE BAKERS



**GES (single)**



**GED (double)**



INSTALLATION CLEARANCE: 2" EACH SIDE

## PLATE PATTERNS AVAILABLE

(please, specify when ordering)

GES (Brussels)	GES (Liege)	GES (Round)	GES (Cone)	GES (Silo)	GES (Cypress)

## SPECIFICATIONS

MODEL	DESCRIPTION	ELECTRICAL	DIMENSIONS	SHIPPING WEIGHT	NEMA PLUG
GES	Single	120V, 1.75KW, 14 Amps 208/240V, 1PH, 1.6KW, 7/8Amps	12"Wx20 1/2"Dx21"H	50 lbs	5-15 P 6-15 P
GED	Double	208/240V, 1PH, 3.3KW 12/16Amps	23"Wx20 1/2"Dx21"H	145 lbs	6-20 P

## BAKING CAPACITY (approximately 2-3 minute cycle)

model \ type	Brussels	Liege	Round	Cone	Silo	Cypress
Waffle size	7 1/2"x4 1/4"x1 1/4"	6 1/4"x4"x1 1/4"	7" diameter x 3/4"	9 3/4"x9 3/4"	1 1/2"x6"	8 3/4"x2 1/4"x1"
SINGLE	2	2	1	1	4	4
DOUBLE	4	4	2	2	8	8

**WARRANTY: Limited one-year parts and labor**



765 WESTMINSTER STREET PROVIDENCE, RI 02903  
 TEL: (401)273-3300 FAX: (401)273-3328 E-mail:sales@equipex.com  
 www.equipex.com