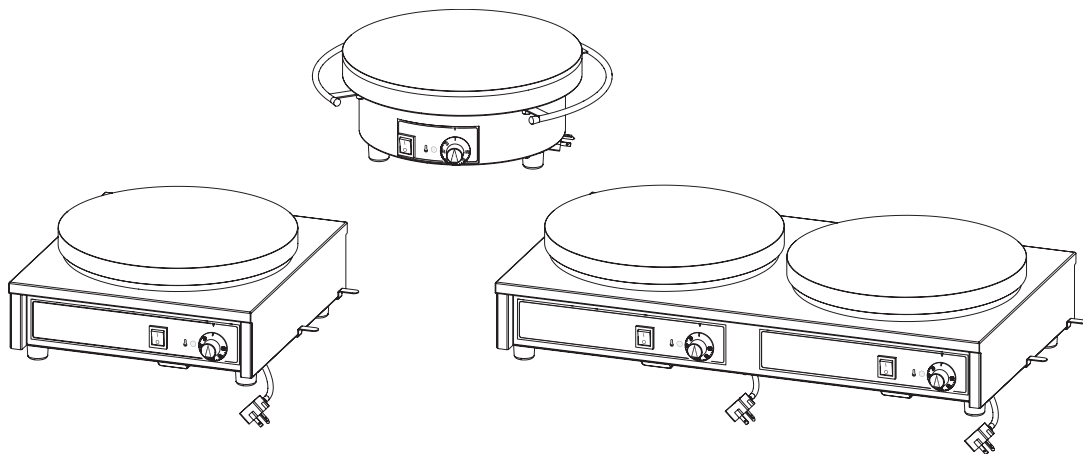




# Heavy Duty Electric Crepe Makers Crêpières électriques robustes

**KCME Series • Série KCME**

**Installation and Operating Manual  
Manuel d'installation et d'utilisation**



## **⚠ WARNING**

Do not operate this equipment unless you have read and understood the contents of this manual! Failure to follow the instructions contained in this manual may result in serious injury or death. This manual contains important safety information concerning the maintenance, use, and operation of this product. If you're unable to understand the contents of this manual, please bring it to the attention of your supervisor. Keep this manual in a safe location for future reference.

**English = p 2**

## **⚠ ADVERTENCIA**

No opere este equipo al menos que haya leído y comprendido el contenido de este manual! Cualquier falla en el seguimiento de las instrucciones contenidas en este manual puede resultar en un serio lesión o muerte. Este manual contiene importante información sobre seguridad concerniente al mantenimiento, uso y operación de este producto. Si usted no puede entender el contenido de este manual por favor pregunte a su supervisor. Almacenar este manual en una localización segura para la referencia futura.

## **⚠ AVERTISSEMENT**

Ne pas utiliser cet équipement sans avoir lu et compris le contenu de ce manuel ! Le non-respect des instructions contenues dans ce manuel peut entraîner de graves blessures ou la mort. Ce manuel contient des informations importantes concernant l'entretien, l'utilisation et le fonctionnement de ce produit. Si vous ne comprenez pas le contenu de ce manuel, veuillez le signaler à votre supérieur. Conservez ce manuel dans un endroit sûr pour pouvoir vous y référer plus tard.

**Français = p 13**

<b>Important Owner Information</b> .....	<b>2</b>	<b>Operation</b> .....	<b>8</b>
<b>Introduction</b> .....	<b>2</b>	General.....	8
<b>Important Safety Information</b> .....	<b>3</b>	Control Panel.....	8
<b>Model Description</b> .....	<b>4</b>	Seasoning the Griddle(s).....	8
<b>Model Designation</b> .....	<b>4</b>	Operating the Unit.....	9
<b>Specifications</b> .....	<b>5</b>	<b>Maintenance</b> .....	<b>10</b>
Plug Configurations.....	5	General.....	10
Electrical Rating Charts.....	5	Daily Cleaning.....	10
Dimensions.....	5	<b>Troubleshooting Guide</b> .....	<b>11</b>
<b>Installation</b> .....	<b>7</b>	<b>Options and Accessories</b> .....	<b>11</b>
General.....	7	<b>Limited Warranty</b> .....	<b>12</b>
		<b>Authorized Parts Distributors</b> .....	<b>Back Cover</b>

## IMPORTANT OWNER INFORMATION

Record the model number, serial number, voltage, and purchase date of the unit in the spaces below (specification label located on the bottom the unit). Please have this information available when calling Hatco for service assistance.

Model No. \_\_\_\_\_

Serial No. \_\_\_\_\_

Voltage \_\_\_\_\_

Date of Purchase \_\_\_\_\_

**Register your unit!**

• Completing online warranty registration will prevent delay in obtaining warranty coverage. Access the Hatco website at [www.hatcocorp.com](http://www.hatcocorp.com), select the *Support* pull-down menu, and click on "Warranty".

Business Hours: 7:00 AM to 5:00 PM Monday–Friday, Central Time (CT)  
 (Summer Hours — June to September:  
 7:00 AM to 5:00 PM Monday–Thursday  
 7:00 AM to 4:00 PM Friday)

Telephone: 800-558-0607; 414-671-6350

E-mail: [support@hatcocorp.com](mailto:support@hatcocorp.com)



24 Hour 7 Day Parts and Service Assistance available in the United States and Canada by calling 800-558-0607.

Additional information can be found by visiting our web site at [www.hatcocorp.com](http://www.hatcocorp.com).

## INTRODUCTION

Heavy Duty Crepe Makers cook continuous, excellent-quality crepes for commercial kitchens and display cooking locations. The adjustable temperature control enables operators to cook consistent quality crepes from a variety of different batters. The exclusive, high wattage heating elements provide exceptional heat distribution over the entire griddle for even and fast cooking.

Heavy Duty Crepe Makers are products of extensive research and field testing. The materials used were selected for maximum durability, attractive appearance, and optimum performance. Every unit is inspected and tested thoroughly prior to shipment.

This manual provides installation, safety, and operating instructions for Heavy Duty Crepe Makers. Hatco recommends all installation, operating, and safety instructions appearing in this manual be read prior to installation or operation of a unit.

Safety information that appears in this manual is identified by the following signal word panels:



**WARNING** indicates a hazardous situation which, if not avoided, could result in death or serious injury.



**CAUTION** indicates a hazardous situation which, if not avoided, could result in minor or moderate injury.



**NOTICE** is used to address practices not related to personal injury.



Read the following important safety information before using this equipment to avoid serious injury or death and to avoid damage to equipment or property.

**WARNING**

**ELECTRIC SHOCK HAZARD:**

- Plug unit into a properly grounded electrical receptacle of the correct voltage, size, and plug configuration. If plug and receptacle do not match, contact a qualified electrician to determine and install proper voltage and size electrical receptacle.
- Turn OFF power switch, unplug power cord, and allow unit to cool before performing any cleaning, adjustments, or maintenance.
- Unit is not weatherproof. Locate unit indoors where ambient air temperature is a maximum of 104°F (40°C).
- DO NOT submerge or saturate with water. Unit is not waterproof. Do not operate if unit has been submerged or saturated with water.
- Do not steam clean or use excessive water on unit.
- This unit is not “jet-proof” construction. Do not use jet-clean spray to clean this unit.
- Do not clean unit when it is energized or hot.
- Do not allow liquids to spill into unit.
- Do not pull unit by power cord.
- Do not allow power cord to hang over edge of counter.
- Discontinue use if power cord is frayed or worn.
- Do not attempt to repair or replace a damaged power cord. Cord must be replaced by Hatco, an Authorized Hatco Service Agent, or a person with similar qualifications.
- This unit must be serviced by qualified personnel only. Service by unqualified personnel may lead to electric shock or burn.
- Use only Genuine Hatco Replacement Parts when service is required. Failure to use Genuine Hatco Replacement Parts will void all warranties and may subject operators of the equipment to hazardous electrical voltage, resulting in electrical shock or burn. Genuine Hatco Replacement Parts are specified to operate safely in the environments in which they are used. Some aftermarket or generic replacement parts do not have the characteristics that will allow them to operate safely in Hatco equipment.

**EXPLOSION HAZARD:** Do not store or use gasoline or other flammable vapors or liquids in the vicinity of this or any other appliance.

Make sure all operators have been instructed on the safe and proper use of the unit.

This unit is not intended for use by children or persons with reduced physical, sensory, or mental capabilities. Ensure proper supervision of children and keep them away from the unit.

Never leave unit unattended during use.

Do not use unit for any purpose other than for which it is designed.

**WARNING**

**FIRE HAZARD:**

- Locate unit a minimum of 8” (203 mm) from combustible walls and materials. If safe distances are not maintained, discoloration or combustion could occur.
- Do not obstruct air ventilation openings on unit. Unit combustion or malfunction may occur.

This unit has no “user-serviceable” parts. If service is required on this unit, contact an Authorized Hatco Service Agent or contact the Hatco Service Department at 800-558-0607 or 414-671-6350.

**CAUTION**

**BURN HAZARD:**

- Some exterior surfaces on unit will get hot. Avoid unnecessary contact with unit.
- Do not come in contact with griddle during operation. Griddle is very hot.
- Allow unit to cool before performing any cleaning, adjustments, or maintenance.

Locate unit at proper counter height in an area that is convenient for use. Location should be level and strong enough to support weight of unit and contents.

**NOTICE**

Do not locate unit in an area subject to excessive temperatures or grease from grills, fryers, etc. Excessive temperatures and grease could cause damage to unit.

Damage to any countertop material caused by heat generated from this equipment is not covered under the Hatco warranty. Contact manufacturer of countertop material for application information.

For steel surfaces, use non-abrasive cleaners and cloths only. Abrasive cleaners and cloths could scratch finish of unit, marring its appearance and making it susceptible to soil accumulation.

Do not use harsh chemicals such as bleach, cleaners containing bleach, or oven cleaners to clean this unit.

Do not attempt to cool griddle quickly, such as by rinsing or immersing in water. Damage to griddle will occur.

This unit is intended for commercial use only—NOT for household use.

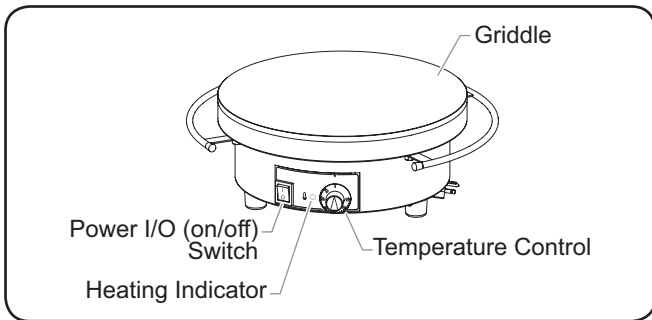
Clean unit daily to avoid malfunctions and maintain sanitary operation.

## All Models

Heavy Duty Crepe Makers consist of an easy-to-clean, stainless steel frame and a 15-3/4" (400 mm) diameter cast iron griddle(s). The units feature high wattage heating elements, an adjustable Temperature Control(s) with a range from 120°F–570°F (50°C–300°C), a Power I/O (on/off) Switch, and a heating indicator. All units are equipped with one or two factory attached 6' (1829 mm) power cords with plug.

### Model KCME-1RND, 208–240 V

Model KCME-1RND, 208–240 V has a round frame and a single cast iron griddle.



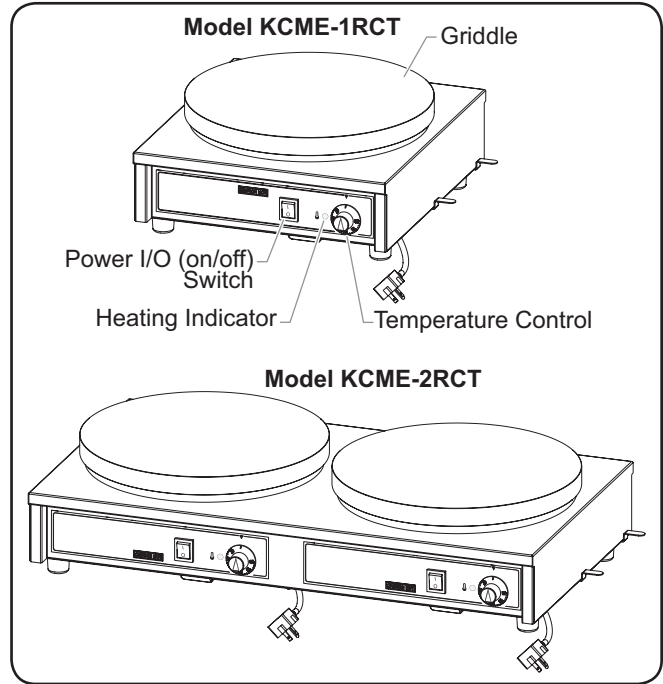
Model KCME-1RND, 208–240 V

## Models KCME-1RCT and KCME-2RCT

Models KCME-1RCT and KCME-2RCT have a rectangular frame.

Model KCME-1RCT is equipped with a single cast iron griddle and one factory attached 6' (1829 mm) power cord with plug.

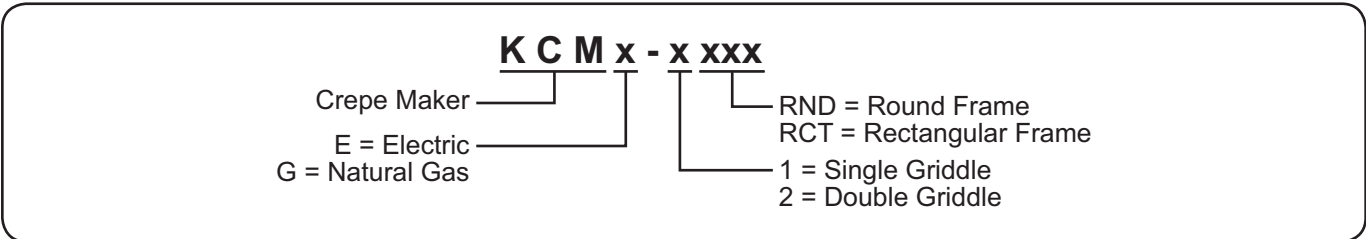
Model KCME-2RCT is equipped with two cast iron griddles and two factory attached 6' (1829 mm) power cords with plug—one for each griddle.



Models KCME-1RCT and KCME-2RCT

Refer to the OPTIONS AND ACCESSORIES section for additional items available with Crepe Makers.

# MODEL DESIGNATION

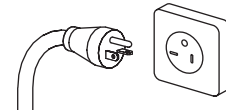


## Plug Configurations

Units are supplied from the factory with an electrical cord and plug. Plugs are supplied according to the application.



**ELECTRIC SHOCK HAZARD:** Plug unit into a properly grounded electrical receptacle of the correct voltage, size, and plug configuration. If plug and receptacle do not match, contact a qualified electrician to determine and install proper voltage and size electrical receptacle.



NEMA 6-20P

Plug Configurations

*NOTE: Receptacle not supplied by Hatco.*

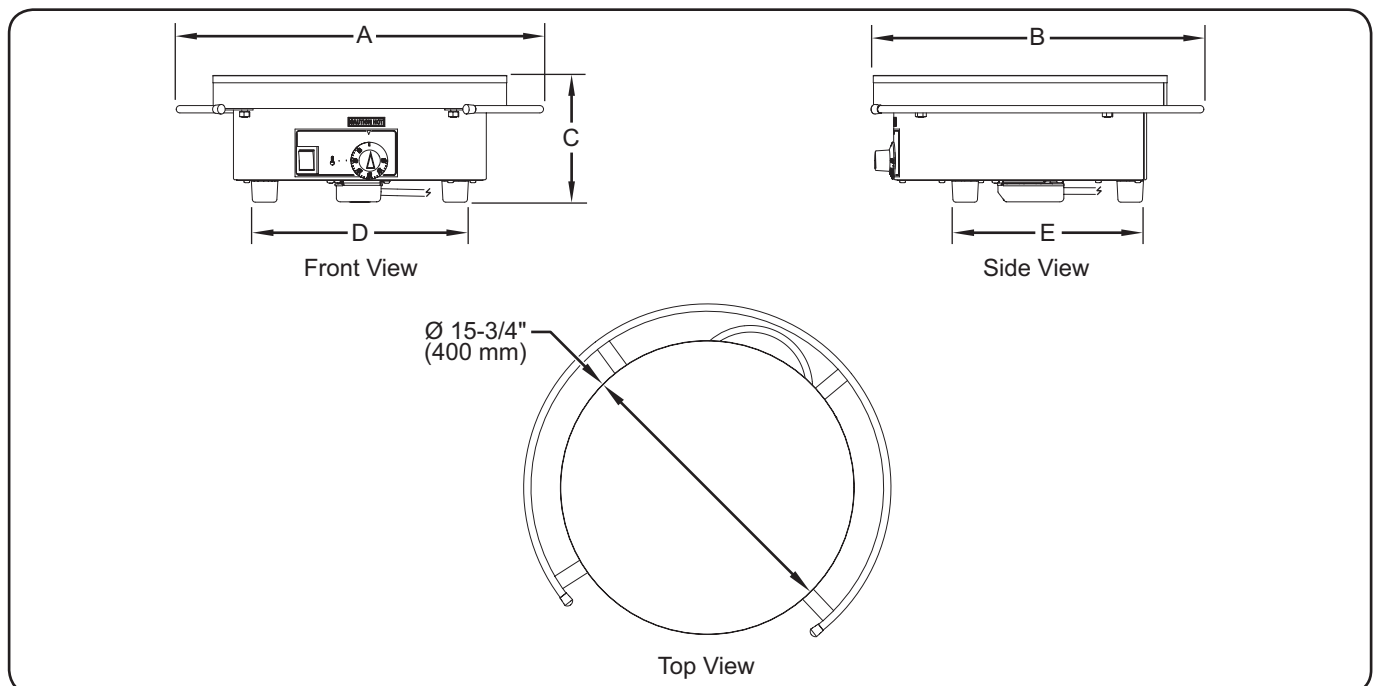
## Electrical Rating Chart

Model	Voltage	Watts	Amps	Plug Configuration	Unit Weight
KCME-1RND	208–240 †	2816–3750	13.5–15.6	NEMA 6-20P	51 lbs. (23 kg)
KCME-1RCT	208–240 †	2816–3750	13.5–15.6	NEMA 6-20P	53 lbs. (24 kg)
KCME-2RCT	208–240 †	5632–7500	27.0–31.2	NEMA 6-20P	103 lbs. (47 kg)

† Unit is designed to operate on supply voltages between 208 V and 240 V.

## Dimensions—Models KCME-1RND

Model	Overall Width (A)	Depth (B)	Height (C)	Footprint Width (D)	Footprint Depth (E)
KCME-1RND (208–240 V)	19-11/16" (500 mm)	17-3/4" (450 mm)	6-13/16" (175 mm)	11-5/8" (295 mm)	10-1/4" (260 mm)

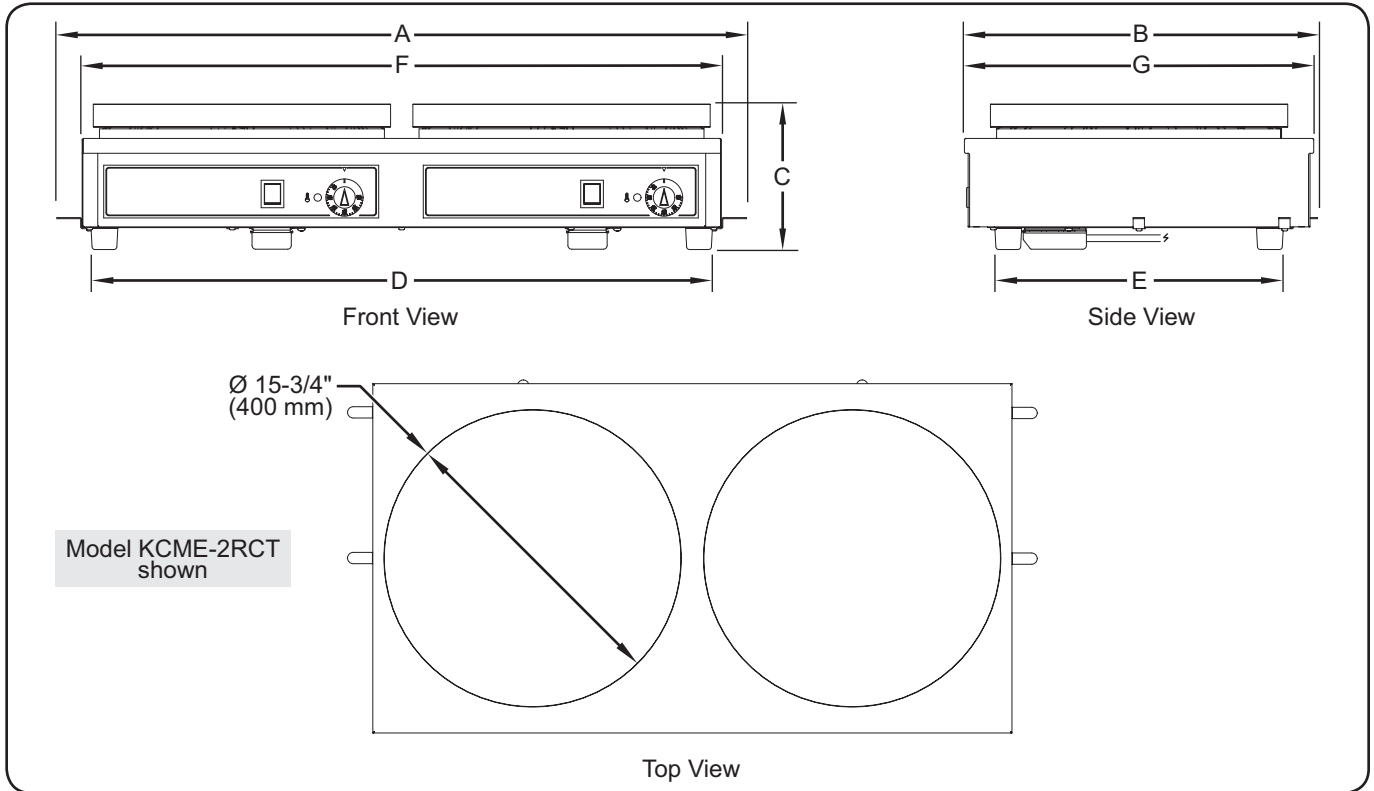


# SPECIFICATIONS

English

## Dimensions—Models KCME-1RCT and KCME-2RCT

Model	Overall Width (A)	Overall Depth (B)	Height (C)	Footprint Width (D)	Footprint Depth (E)	Unit Width (F)	Unit Depth (G)
KCME-1RCT	19-5/8" (498 mm)	18-3/4" (475 mm)	7-11/16" (195 mm)	16" (406 mm)	15-5/16" (388 mm)	16-15/16" (430 mm)	18-1/2" (470 mm)
KCME-2RCT	36-9/16" (928 mm)	18-3/4" (475 mm)	7-11/16" (195 mm)	32-15/16" (836 mm)	15-5/16" (388 mm)	33-7/8" (860 mm)	18-1/2" (470 mm)



## General

Heavy Duty Crepe Makers are shipped pre-assembled and ready for seasoning prior to their first use. Care should be taken when unpacking the shipping carton to avoid damage to the unit. The following installation procedure must be performed before connecting electricity and operating the unit.

### WARNING

**ELECTRIC SHOCK HAZARD:** Unit is not weatherproof. Locate unit indoors where ambient air temperature is a maximum of 104°F (40°C).

#### FIRE HAZARD:

- Locate unit a minimum of 8" (203 mm) from combustible walls and materials. If safe distances are not maintained, discoloration or combustion could occur.
  - Do not obstruct air ventilation openings on unit. Unit combustion or malfunction may occur.
1. Inspect the shipping carton for obvious signs of transit damage. If damaged, inform the freight company immediately. **CAUTION! Stop! Do not attempt to use unit if damaged. Contact Hatco for assistance.**
  2. Remove the unit and any loose components/accessories from the shipping carton. The following loose components are included in every Crepe Maker:
    - Flat Spreader
    - Spatula

*NOTE: To prevent delay in obtaining warranty coverage, complete online warranty registration. See the IMPORTANT OWNER INFORMATION section for details.*

3. Remove tape and protective packaging from all surfaces of the unit.
  - Make sure to remove all protective film from the stainless steel surfaces.
4. Inspect the unit for freight damage such as dents in housing or broken knobs. If damaged, inform the freight company immediately.

### CAUTION

Locate unit at proper counter height in an area that is convenient for use. Location should be level and strong enough to support weight of unit and contents.

### NOTICE

Do not locate unit in an area subject to excessive temperatures or grease from grills, fryers, etc. Excessive temperatures and grease could cause damage to unit.

Damage to any countertop material caused by heat generated from this equipment is not covered under the Hatco warranty. Contact manufacturer of countertop material for application information.

5. Place the unit in the desired location.
  - Locate the unit in an area where the ambient air temperature is constant and a maximum of 104°F (40°C). Avoid areas that may be subject to active air movements or currents (i.e., near exhaust fans/hoods and air conditioning ducts).
  - Make sure the unit is at the proper counter height in an area convenient for use.
  - Make sure the countertop is level and strong enough to support the weight of the unit and food product.
  - Make sure all the feet on the bottom of the unit are positioned securely on the countertop.



## General

Heavy Duty Crepe Makers are designed for ease of operation. Use the following information and procedures to operate a Crepe Maker.



**WARNING**

Read all safety messages in the **IMPORTANT SAFETY INFORMATION** section before operating this equipment.

## Control Panel

The following are descriptions of the controls used to operate a Crepe Maker. All controls are located on the control panel at the front of the unit.

### Power I/O (on/off) Switch

The Power I/O (on/off) switch controls power to the unit. It is located on the front of the unit and will illuminate when in the I (on) position.

### Heating Indicator

The Heating Indicator illuminates when the heating elements are on and heating the griddle. The Heating Indicator shuts off once the unit reaches the temperature setting.

### Temperature Control

The Temperature Control controls the temperature setting of the unit. Turn the Temperature Control clockwise to increase the temperature setting. Turn the Temperature Control counterclockwise to decrease the temperature setting. The temperature range of the unit is 120°–570°F (50°–300°C).

## Seasoning the Griddle(s)

Use the following procedure to season the cast iron griddle(s) before using the Crepe Maker for the first time. This procedure will take approximately 1 to 1-1/2 hours.

*NOTE: Perform the seasoning procedure in a well ventilated area—preferably underneath an extraction hood. A substantial amount of smoke will be generated, which is normal.*

1. Plug the unit into a properly grounded electrical receptacle of the correct voltage, size, and plug configuration. See the SPECIFICATIONS section for details.



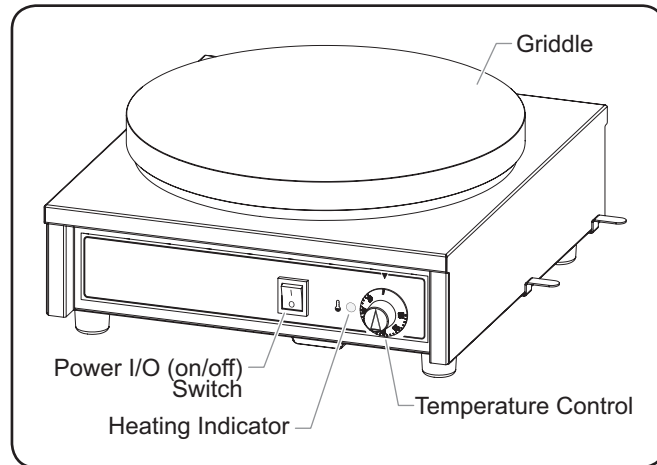
**CAUTION**

### BURN HAZARD:

- Some exterior surfaces on unit will get hot. Avoid unnecessary contact with unit.
  - Do not come in contact with griddle during operation. Griddle is very hot.
2. Move the Power I/O (on/off) Switch to the I (on) position.
  3. Turn the Temperature Control clockwise to the 480°F (250°C) temperature setting.
    - The Heating Indicator will illuminate.
    - Leave the unit at this setting for the entire seasoning procedure.
  4. Allow the unit to preheat fully.
    - The Heating Indicator will shut off when the unit reaches the temperature setting.

5. Pour a teaspoon of vegetable-based cooking oil onto the center of the griddle.
6. Spread the oil evenly over the entire griddle surface.

*NOTE: A cleaning pad for spreading the oil and cleaning the griddle surface is available as an accessory. See OPTIONS AND ACCESSORIES for details.*



Model KCME-1RCT

7. Allow the oil to cook for 5–10 minutes, until the smoke disappears.
  - The griddle will smoke as the oil cooks into the surface. The smoke will decrease and disappear as the oil dries on the surface.
8. Perform steps 5–7 of this procedure an additional three (3) times.
9. Perform steps 5–7 of this procedure five (5) more times, but decrease the amount of oil to 1/2 teaspoon.
  - As the griddle surface is seasoned, it gradually will turn a darker brown and will develop a shine.
10. Wipe the griddle surface one final time without adding any additional oil.
  - A properly seasoned griddle will look like it's varnished with a light chesnut color.
11. Go to the "Operating the Unit" procedure in this section.



## Operating the Unit

**NOTE:** Make sure to perform the “Seasoning the Griddle(s)” procedure before the first use of the Crepe Maker. Make sure to wash all accessories before their first use.

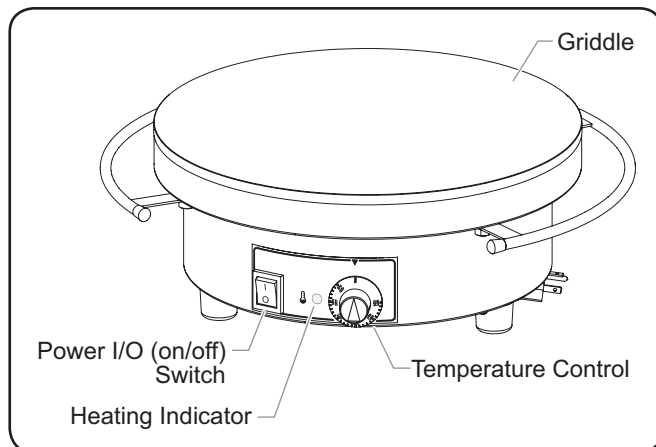
### Startup

1. Plug the unit into a properly grounded electrical receptacle of the correct voltage, size, and plug configuration. See the SPECIFICATIONS section for details.



### BURN HAZARD:

- Some exterior surfaces on unit will get hot. Avoid unnecessary contact with unit.
  - Do not come in contact with griddle during operation. Griddle is very hot.
2. Move the Power I/O (on/off) Switch to the I (on) position.
  3. Turn the Temperature Control clockwise to the desired temperature setting.
    - The temperature setting for cooking crepes is between 390°F–450°F (200°C–230°C).
    - The Heating Indicator will illuminate.



Model KCME-1RND, 208–240 V

4. Spread a light coating of oil around the entire griddle surface.

**NOTE:** A cleaning pad for spreading the oil and cleaning the griddle surface is available as an accessory. See OPTIONS AND ACCESSORIES for details.

5. Pour a ladle of batter onto the griddle, and spread the batter using the included spreader.
  - Hold the spreader lightly and use a single gentle, circular motion around the entire griddle. Continue with the circular motion until the griddle is completely covered. Go back and fill holes/tears as they happen.
6. Allow the crepe to cook the appropriate amount of time on the first side, determined by the batter recipe. Cook time may need to be adjusted after a few trial cooking cycles.

7. Carefully flip the crepe using the included spatula.
  - Use the spatula to loosen the edges around the entire crepe before flipping.

**NOTE:** A metal spatula is available as an accessory. See OPTIONS AND ACCESSORIES for details.

8. Allow the crepe to cook the appropriate amount of time on the second side, determined by the batter recipe. Cook time may need to be adjusted after a few trial cooking cycles.
9. Remove the crepe from the griddle using the spatula.
10. Continue to cook crepes by repeating steps 5–9 of this procedure.
  - Wipe the griddle after every two crepes.
  - If the crepes begin sticking, spread a small amount of oil around the griddle. Use additional oil on the griddle in between crepes as needed.

**NOTE:** During the first use of the crepe maker after the initial seasoning, spread a small amount of oil on the griddle surface in between each crepe.

### Shutdown

1. Turn the Temperature Control fully counterclockwise.
2. Move the Power I/O (on/off) Switch to the O (off) position.
3. Perform the “Daily Cleaning” procedure in the Maintenance section of this manual.

## General

Heavy Duty Crepe Makers are designed for maximum durability and performance with minimum maintenance.



### ELECTRIC SHOCK HAZARD:

- Turn OFF power switch, unplug power cord, and allow unit to cool before performing any cleaning, adjustments, or maintenance.
- DO NOT submerge or saturate with water. Unit is not waterproof. Do not operate if unit has been submerged or saturated with water.
- Do not steam clean or use excessive water on unit.
- This unit is not “jet-proof” construction. Do not use jet-clean spray to clean this unit.
- Do not clean unit when it is energized or hot.
- Do not allow liquids to spill into unit.
- This unit must be serviced by qualified personnel only. Service by unqualified personnel may lead to electric shock or burn.
- Use only Genuine Hatco Replacement Parts when service is required. Failure to use Genuine Hatco Replacement Parts will void all warranties and may subject operators of the equipment to hazardous electrical voltage, resulting in electrical shock or burn. Genuine Hatco Replacement Parts are specified to operate safely in the environments in which they are used. Some aftermarket or generic replacement parts do not have the characteristics that will allow them to operate safely in Hatco equipment.

This unit has no “user-serviceable” parts. If service is required on this unit, contact an Authorized Hatco Service Agent or contact the Hatco Service Department at 800-558-0607 or 414-671-6350.



**BURN HAZARD:** Allow unit to cool before performing any cleaning, adjustments, or maintenance.

## Daily Cleaning

To preserve the finish of the unit as well as maintain performance, it is recommended that the unit be cleaned daily.



**Submerging or saturating unit with water may cause serious injury, will damage the unit, and void unit warranty.**

### NOTICE

For steel surfaces, use non-abrasive cleaners and cloths only. Abrasive cleaners and cloths could scratch finish of unit, marring its appearance and making it susceptible to soil accumulation.

**Do not use harsh chemicals such as bleach, cleaners containing bleach, or oven cleaners to clean this unit.**

**Do not attempt to cool griddle quickly, such as by rinsing or immersing in water. Damage to griddle will occur.**

**Clean unit daily to avoid malfunctions and maintain sanitary operation.**

1. Perform the “Shutdown” procedure in the OPERATION section of this manual, and allow the unit to cool.
2. Wipe the griddle using a clean, non-abrasive cloth.

*NOTE: A cleaning pad for spreading the oil and cleaning the griddle surface is available as an accessory. See OPTIONS AND ACCESSORIES for details.*

3. Wipe the frame of the unit with a non-abrasive cloth dampened in warm water and a mild soap. Stubborn stains may be removed with a good stainless steel cleaner. Hard to reach areas should be cleaned with a small brush and mild soap.
4. Wipe the frame of the unit thoroughly using a non-abrasive cloth dampened in warm water only.
5. Dry the frame of the unit using a clean, dry, non-abrasive cloth.

*NOTE: Oil and fats will build up on the griddle surface over time. This eventually will begin affecting the performance of the Crepe Maker. An abrasive stone is available as an accessory (see OPTIONS AND ACCESSORIES). Use the abrasive stone to strip the griddle on a regular basis to maintain performance of the unit. The “Seasoning the Griddle(s)” procedure must be performed after stripping the griddle.*



This unit must be serviced by qualified personnel only. Service by unqualified personnel may lead to electric shock or burn.



**ELECTRIC SHOCK HAZARD:** Turn OFF power switch, unplug power cord, and allow unit to cool before performing any cleaning, adjustments, or maintenance.

Symptom	Probable Cause	Corrective Action
Unit turned "On", but no heat.	Heating element(s) defective.	Contact Authorized Service Agent or Hatco for assistance.
	Temperature Control defective.	
Unit not hot enough.	Temperature Control setting too low.	Turn Temperature Control clockwise to increase the temperature setting.
	Heating element(s) defective.	Contact Authorized Service Agent or Hatco for assistance.
Unit not working at all.	Unit not turned on.	Reviewing "Operating the Unit" in the OPERATION section of this manual.
	Unit not plugged in.	Plug unit into proper power supply.
	Circuit breaker tripped.	Reset circuit breaker. If circuit breaker continues to trip, contact an Authorized Service Agent or Hatco for assistance.
	Temperature Control defective.	Contact Authorized Service Agent or Hatco for assistance.

### Troubleshooting Questions?

If you continue to have problems resolving an issue, please contact the nearest Authorized Hatco Service Agency or Hatco for assistance. To locate the nearest Service Agency, log onto the Hatco website at [www.hatcocorp.com](http://www.hatcocorp.com), select the *Support* pull-down menu, and click on "Find A Service Agent"; or contact the **Hatco Parts and Service Team** at:

Telephone: 800-558-0607 or 414-671-6350

e-mail: [support@hatcocorp.com](mailto:support@hatcocorp.com)

## OPTIONS AND ACCESSORIES

### General

The following accessories are available for Crepe Makers.

**FLATSPREADER**.....Flat spreader

**RNDSPREADER**.....Round, steel spreader

**13.75SPATULA** .....13-3/4" (350 mm) metal spatula with plastic handle

**CLEANPAD** .....Cleaning pad with replaceable cleaning wipes

**15PADREFILL**.....Cleaning wipes refill, 15 wipes

**ABRSTONE** .....Abrasive cleaning stone

## 1. PRODUCT WARRANTY

Hatco warrants the products that it manufactures (the “Products”) to be free from defects in materials and workmanship, under normal use and service, for a period of one (1) year from the date of purchase when installed and maintained in accordance with Hatco’s written instructions or 18 months from the date of shipment from Hatco. Buyer must establish the Product’s purchase date by registering the Product with Hatco or by other means satisfactory to Hatco in its sole discretion.

Hatco warrants the following Product components to be free from defects in materials and workmanship from the date of purchase (subject to the foregoing conditions) for the period(s) of time and on the conditions listed below:

**a) One (1) Year Parts and Labor PLUS One (1) Additional Year Parts-Only Warranty:**

- Conveyor Toaster Elements (metal sheathed)
- Drawer Warmer Elements (metal sheathed)
- Drawer Warmer Drawer Rollers and Slides
- Strip Heater Elements (metal sheathed)
- Display Warmer Elements (metal sheathed air heating)
- Holding Cabinet Elements (metal sheathed air heating)
- Heated Well Elements — HW and HWB Series (metal sheathed)

**b) Two (2) Year Parts and Labor Warranty:**

- Induction Ranges
- Induction Warmers

**c) One (1) Year Parts and Labor PLUS Four (4) Years Parts-Only Warranty:**

- 3CS and FR Tanks

**d) One (1) Year Parts and Labor PLUS Nine (9) Years Parts-Only Warranty on:**

- Electric Booster Heater Tanks
- Gas Booster Heater Tanks

**e) Ninety (90) Day Parts-Only Warranty:**

- Replacement Parts

THE FOREGOING WARRANTIES ARE EXCLUSIVE AND IN LIEU OF ANY OTHER WARRANTY, EXPRESSED OR IMPLIED, INCLUDING BUT NOT LIMITED TO ANY IMPLIED WARRANTY OF MERCHANTABILITY OR FITNESS FOR A PARTICULAR PURPOSE OR PATENT OR OTHER INTELLECTUAL PROPERTY RIGHT INFRINGEMENT. Without limiting the generality of the foregoing, SUCH WARRANTIES DO NOT COVER: Coated incandescent light bulbs, fluorescent lights, heat lamp bulbs, coated halogen light bulbs, halogen heat lamp bulbs, xenon light bulbs, LED light tubes, glass components, and fuses; Product failure in booster tank, fin tube heat exchanger, or other water heating equipment caused by liming, sediment buildup, chemical attack, or freezing; or Product misuse, tampering or misapplication, improper installation, or application of improper voltage.

## 2. LIMITATION OF REMEDIES AND DAMAGES

Hatco’s liability and Buyer’s exclusive remedy hereunder will be limited solely, at Hatco’s option, to repair or replacement using new or refurbished parts or Product by Hatco or a Hatco-authorized service agency (other than where Buyer is located outside of the United States, Canada, United Kingdom, or Australia, in which case Hatco’s liability and Buyer’s exclusive remedy hereunder will be limited solely to replacement of part under warranty) with respect to any claim made within the applicable warranty period referred to above. Hatco reserves the right to accept or reject any such claim in whole or in part. In the context of this Limited Warranty, “refurbished” means a part or Product that has been returned to its original specifications by Hatco or a Hatco-authorized service agency. Hatco will not accept the return of any Product without prior written approval from Hatco, and all such approved returns shall be made at Buyer’s sole expense. HATCO WILL NOT BE LIABLE, UNDER ANY CIRCUMSTANCES, FOR CONSEQUENTIAL OR INCIDENTAL DAMAGES, INCLUDING BUT NOT LIMITED TO LABOR COSTS OR LOST PROFITS RESULTING FROM THE USE OF OR INABILITY TO USE THE PRODUCTS OR FROM THE PRODUCTS BEING INCORPORATED IN OR BECOMING A COMPONENT OF ANY OTHER PRODUCT OR GOODS.

<b>Informations Importantes pour le Propriétaire.....</b>	<b>13</b>	<b>Mode d'emploi .....</b>	<b>19</b>
<b>Introduction.....</b>	<b>13</b>	Généralités .....	19
<b>Consignes de Sécurité Importantes .....</b>	<b>14</b>	Panneau de commande .....	19
<b>Description du Modèle.....</b>	<b>15</b>	Culottage des plaques chauffantes .....	19
<b>Désignation du Modèle.....</b>	<b>15</b>	Fonctionnement de l'appareil .....	20
<b>Caractéristiques Techniques .....</b>	<b>16</b>	<b>Maintenance.....</b>	<b>21</b>
Configuration des fiches.....	16	Généralités .....	21
Tableau des valeurs nominales électriques .....	16	Nettoyage quotidien.....	21
Dimensions .....	16	<b>Guide de Dépannage.....</b>	<b>22</b>
<b>Installation.....</b>	<b>18</b>	<b>Options et Accessoires .....</b>	<b>22</b>
Généralités .....	18	<b>Garantie Limitée .....</b>	<b>23</b>
		<b>Autorisés Distributeurs de Pièces.....</b>	<b>Couverture Arrière</b>

## INFORMATIONS IMPORTANTES POUR LE PROPRIÉTAIRE

Notez le numéro de modèle, le numéro de série, la tension et la date d'achat de l'appareil dans les espaces ci-dessous (étiquette des caractéristiques techniques située sur le dessous de l'appareil). Veuillez avoir cette information à portée de la main si vous appelez Hatco pour assistance.

Modèle No. \_\_\_\_\_

Numéro de série \_\_\_\_\_

Voltage \_\_\_\_\_

Date d'achat \_\_\_\_\_

### Enregistrez votre appareil!

Remplissez la garantie en ligne pour éviter les retards pour faire jouer la garantie. Accédez au site Web Hatco [www.hatcocorp.com](http://www.hatcocorp.com), sélectionnez le menu déroulant *Support (Assistance)*, puis cliquez sur « Warranty » (Garantie).

Horaires  
ouvrables : 7h00 à 17h00 du lundi au vendredi  
Heure du Centre (CT)  
(Horaires d'été—juin à septembre:  
7h00 à 17h00 du lundi au jeudi  
7h00 à 16h00 le vendredi)

Téléphone: 800-558-0607; 414-671-6350

Courriel: [support@hatcocorp.com](mailto:support@hatcocorp.com)



Service d'assistance et de pièces de rechange disponible 7j/7, 24h/24 aux États-Unis et au Canada en composant le 800-558-0607.

Des renseignements supplémentaires sont disponibles sur notre site Web à [www.hatcocorp.com](http://www.hatcocorp.com).

## INTRODUCTION

Les crêpières robustes cuisent des crêpes de grande qualité en continu pour les cuisines commerciales et les endroits où la cuisson est effectuée sous les yeux des clients. La commande de temps et de température ajustable permet aux utilisateurs de cuire des crêpes de qualité en continu avec différentes sortes de pâtes. Les éléments chauffants exclusifs haute puissance assurent une répartition exceptionnelle de la chaleur sur l'ensemble de la plaque chauffante pour une cuisson uniforme et rapide.

Les crêpières robustes sont issues de recherches avancées et de tests intensifs sur le terrain. Les matériaux utilisés ont été sélectionnés afin de garantir une durée de vie maximale, un design attractif et des performances optimales. Chaque appareil est inspecté et testé minutieusement avant d'être expédié.

Ce manuel fournit les instructions concernant l'installation, la sécurité et le fonctionnement des crêpières robustes. Hatco vous recommande de lire l'ensemble des instructions d'installation, de sécurité et d'utilisation fournies dans ce manuel avant d'installer et d'utiliser l'appareil.

Les consignes de sécurité qui apparaissent dans ce manuel sont identifiées par les mots indicateurs suivants :

### **AVERTISSEMENT**

**AVERTISSEMENT** indique une situation dangereuse qui, si elle n'est pas évitée, peut provoquer la mort ou des blessures graves.

### **ATTENTION**

**ATTENTION** indique une situation dangereuse qui, si elle n'est pas évitée, peut provoquer des blessures légères ou moyennes.

### **AVIS**

**AVIS** est utilisé pour des questions sans rapport avec des blessures corporelles.



**!** Lisez l'information de sécurité importante suivante avant d'utiliser cet équipement pour éviter des dommages ou la mort sérieux et pour éviter d'endommager l'équipement ou la propriété.

## **! AVERTISSEMENT**

### DANGER DE DÉCHARGE ÉLECTRIQUE :

- Branchez l'appareil sur une prise de courant avec terre de tension, de format et de configuration des broches corrects. Si la fiche et la prise ne se correspondent pas, s'adresser à un électricien qualifié pour déterminer et installer une prise de courant de format et de tension corrects.
- Mettez hors tension en utilisant l'interrupteur, débranchez le cordon d'alimentation et laissez l'unité refroidir avant d'effectuer tout nettoyage, tout réglage ou tout entretien.
- L'appareil n'est pas résistant aux intempéries. Placez l'appareil à l'intérieur, dans une zone dont la température ambiante est de 40 °C (104 °F) maximum.
- NE PAS immerger l'appareil ni le saturer d'eau. L'appareil n'est pas étanche à l'eau. Ne pas le faire fonctionner s'il a été immergé ou saturé d'eau.
- Ne pas nettoyer à la vapeur ni utiliser trop d'eau sur l'appareil.
- Cet appareil n'est pas étanche aux jets. Ne pas utiliser de jet sous pression pour nettoyer l'appareil.
- Ne nettoyez pas l'appareil tant qu'il est branché ou chaud.
- Ne renversez pas de liquides dans l'appareil.
- Ne tirez pas l'unité par le cordon d'alimentation.
- Ne laissez pas le cordon pendre le long du comptoir.
- Interrompez l'utilisation de l'unité si le cordon d'alimentation est effiloché ou usé.
- N'essayez jamais de réparer ou de remplacer un cordon d'alimentation. Celui-ci devra être remplacé par Hatco, un agent de service agréé par Hatco ou une personne possédant des qualifications similaires.
- Cet appareil doit uniquement être réparé par un personnel qualifié. Toute réparation par un personnel non qualifié peut entraîner une électrocution et des brûlures.
- Pour les réparations, utiliser exclusivement des pièces de rechange Hatco d'origine. Utilisez des pièces détachées Hatco authentiques sous peine d'annuler toutes les garanties et d'exposer l'utilisateur à des tensions électriques dangereuses pouvant entraîner une électrocution ou des brûlures. Les pièces de rechange Hatco d'origine sont conçues pour fonctionner sans danger dans les environnements dans lesquels elles sont utilisées. Certaines pièces de rechange génériques ou de second marché ne présentent pas les caractéristiques leur permettant de fonctionner sans danger dans le matériel Hatco.

**RISQUE D'EXPLOSION :** Ne conservez pas ou n'utilisez pas d'essence ou d'autres vapeurs ou liquides inflammables à proximité de ces plaques ou de tout autre appareil.

Assurez-vous que tous les opérateurs ont été formés à l'utilisation sûre et correcte de l'appareil.

Cet appareil ne doit pas être utilisé par des enfants ou des personnes avec des capacités physiques, sensorielles ou mentales diminuées. Assurez-vous que les enfants sont bien surveillés et tenez-les à l'écart de l'appareil.

## **! AVERTISSEMENT**

### DANGER D'INCENDIE :

- Placez l'appareil à au moins 203 mm (8") des murs et matières inflammables. Si ces distances de sécurité ne sont pas respectées, une décoloration ou une combustion peut se produire.
- N'obstruez pas les ouvertures de ventilation d'air de l'appareil. Cela pourrait provoquer une combustion ou une défaillance de l'unité.

Ne laissez jamais l'appareil sans surveillance pendant son utilisation.

N'utilisez pas l'appareil pour des fins autres que celles qui ont été prévues.

Cet appareil ne contient aucune pièce réparable par l'utilisateur. Si cet appareil doit être réparé, contacter un réparateur Hatco agréé ou le Service après-vente Hatco au 800-558-0607 ou 414-671-6350.

## **! ATTENTION**

### DANGER DE BRÛLURE :

- Certaines surfaces extérieures de l'appareil seront chaudes. Évitez tout contact inutile avec l'appareil.
- N'entrez pas en contact avec la plaque chauffante pendant le fonctionnement de l'appareil, elle est très chaude.
- Laissez l'appareil refroidir avant d'effectuer tout nettoyage, réglage ou entretien.

Placez l'appareil sur un plan de travail dont la hauteur est appropriée, à un emplacement pratique à utiliser. L'emplacement choisi doit être de niveau et solide afin de supporter le poids de l'appareil et de son contenu.

## **AVIS**

Ne placez pas l'appareil dans une zone soumise à des températures excessives ou exposée à de la graisse provenant de grils, poêles, etc. Des températures excessives et la graisse risquent d'endommager l'appareil.

Les dommages à toute partie du comptoir pouvant être causés par la chaleur générée par cet équipement ne sont pas couverts par la garantie de Hatco. Contactez le fabricant du comptoir pour plus de renseignements.

En ce qui concerne les surfaces en acier, utilisez des chiffons et produits nettoyants non abrasifs uniquement. Les chiffons et nettoyant abrasifs pourraient rayer la finition de l'unité, altérant son apparence et la rendant vulnérable à l'accumulation de saleté.

L'utilisation de produits chimiques agressifs tels que l'eau de javel, les produits nettoyants contenant de la javel, ou les produits de nettoyage pour les fours sont proscrits pour nettoyer l'appareil.

N'essayez pas de refroidir rapidement la plaque chauffante, en la rinçant ou en l'immergeant dans de l'eau par exemple. Cela endommagera la plaque.

Cet appareil est réservé à un usage professionnel uniquement — il ne convient PAS à un usage personnel.

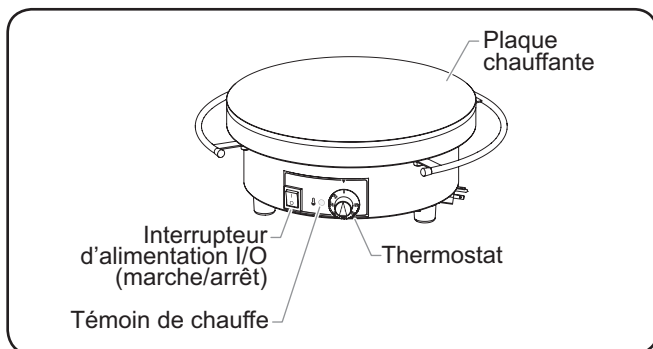
Nettoyez l'unité quotidiennement pour éviter les dysfonctionnements et assurer un fonctionnement sain.

**Tous les Modèles**

Les crêpières robustes sont composées d'un châssis en acier inoxydable facile à nettoyer et d'une ou de plusieurs plaques chauffantes en fonte d'un diamètre de 400 mm (15 3/4"). Les appareils disposent d'éléments chauffants haute puissance, d'un ou de plusieurs thermostats réglables avec une plage de 50 à 300 °C (120 à 570 °F), d'un interrupteur d'alimentation I/O (marche/arrêt) et d'un témoin de chauffe. Toutes les unités sont équipées d'un ou de deux cordons d'alimentation avec fiche de 1 829 mm (6') installés en usine.

**Modèle KCME-1RND, 208–240 V**

Le modèle KCME-1RND, 208–240 V dispose d'un châssis rond et d'une seule plaque chauffante en fonte.



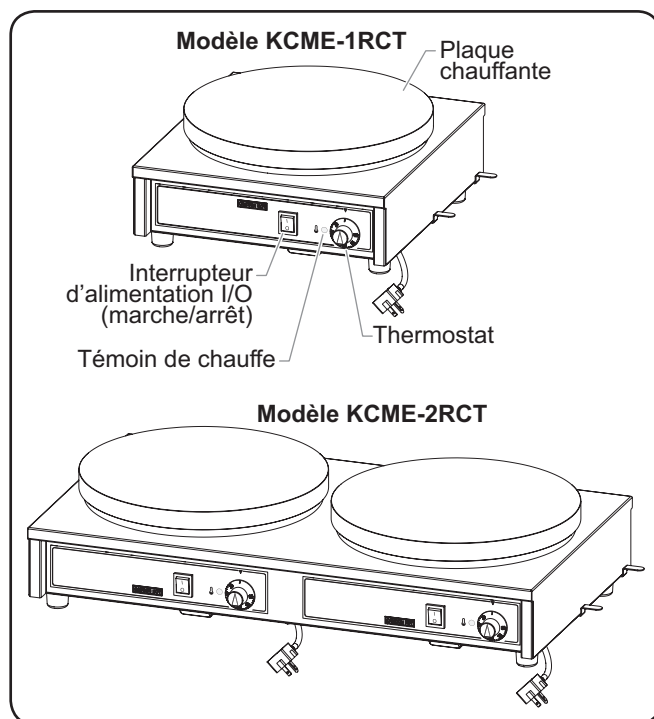
Modèle KCME-1RND, 208–240 V

**Modèles KCME-1RCT et KCME-2RCT**

Les modèles KCME-1RCT et KCME-2RCT disposent d'un châssis rectangulaire.

Le modèle KCME-1RCT est équipé d'une seule plaque chauffante en fonte et d'un cordon d'alimentation avec fiche de 1 829 mm (6 pi) installé en usine.

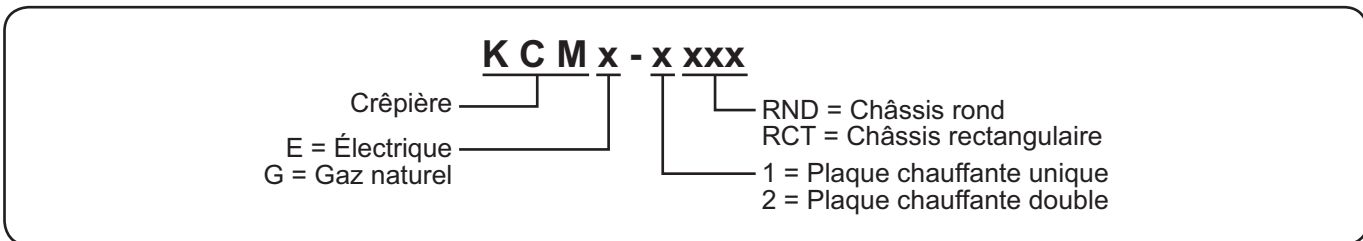
Le modèle KCME-2RCT est équipé de deux plaques chauffantes en fonte et de deux cordons d'alimentation avec fiche de 1 829 mm (6') installés en usine—soit un pour chaque plaque.



Modèles KCME-1RCT et KCME-2RCT

Veillez consulter la section OPTIONS ET ACCESSOIRES pour connaître les éléments supplémentaires disponibles pour les crêpières.

**DÉSIGNATION DU MODÈLE**



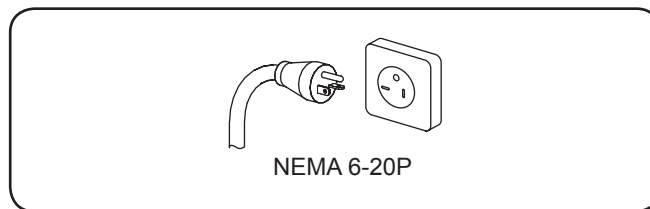


## Configuration des fiches

Les appareils sont fournis par l'usine avec un cordon et une prise électriques. Les fiches fournies correspondent à leur application.



**DANGER DE DÉCHARGE ÉLECTRIQUE:** Brancher l'appareil sur une prise de courant avec terre de tension, de format et de configuration des broches corrects. Si la fiche et la prise ne se correspondent pas, s'adresser à un électricien qualifié pour déterminer et installer une prise de courant de format et de tension corrects.



Configuration des fiches

NOTA: Prise non fournie par Hatco.

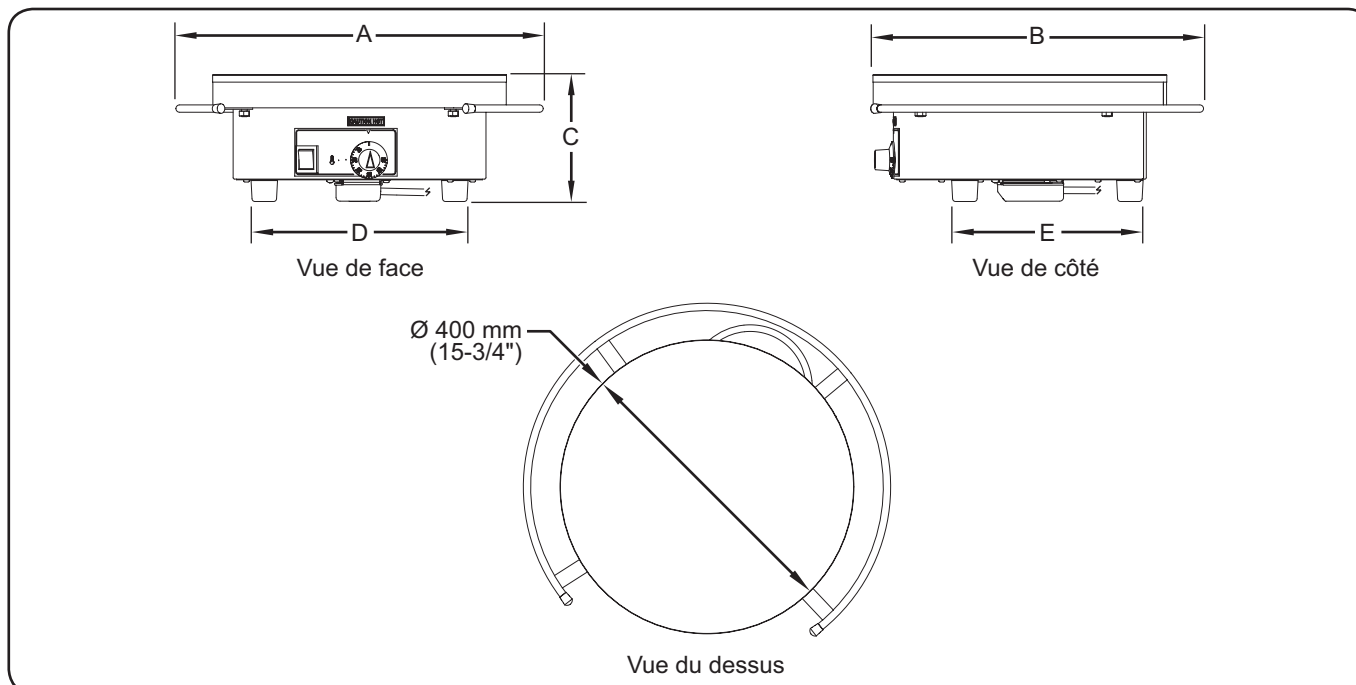
## Tableau des valeurs nominales électriques

Modèle	Tension	Intensité	Amps	Configuration de Fiches	Poids de l'appareil
KCME-1RND	208–240 †	2816–3750	13.5–15.6	NEMA 6-20P	23 kg (51 lbs.)
KCME-1RCT	208–240 †	2816–3750	13.5–15.6	NEMA 6-20P	24 kg (53 lbs.)
KCME-2RCT	208–240 †	5632–7500	27.0–31.2	NEMA 6-20P	47 kg (103 lbs.)

† L'appareil est conçu pour fonctionner à des tensions d'alimentation comprises entre 208 et 240 volts.

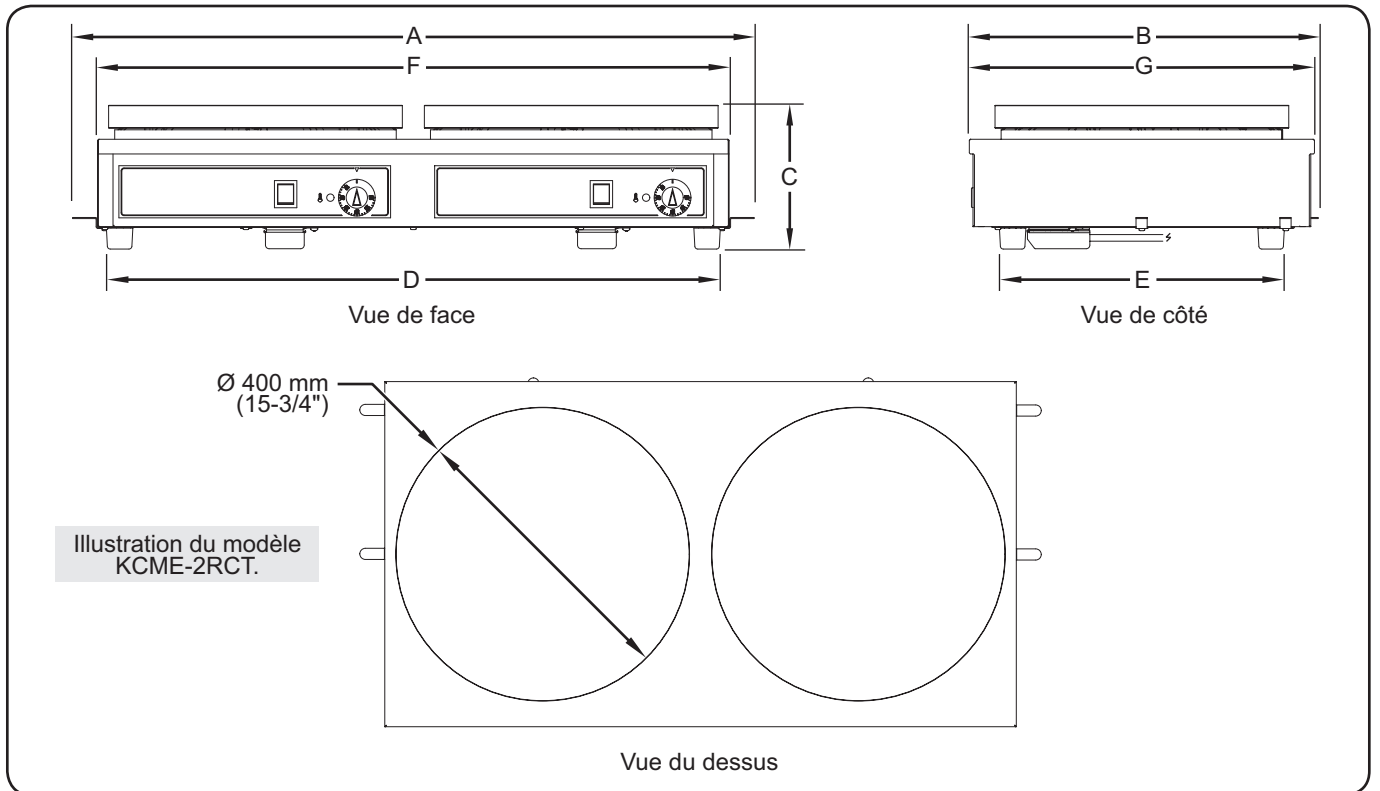
## Dimensions—Modèles KCME-1RND, 208–240 V

Modèle	Total Largeur (A)	Profondeur (B)	Hauteur (C)	Encombrement Largeur (D)	Encombrement Profondeur (E)
KCME-1RND (208–240 V)	500 mm (19-11/16")	450 mm (17-3/4")	175 mm (6-13/16")	295 mm (11-5/8")	260 mm (10-1/4")



Dimensions—Modèles KCME-1RCT et KCME-2RCT

Modèle	Total Largeur (A)	Total Profondeur (B)	Hauteur (C)	Encombrement Largeur (D)	Encombrement Profondeur (E)	Appareil Largeur (F)	Appareil Profondeur (G)
KCME-1RCT	19-5/8" (498 mm)	18-3/4" (475 mm)	7-11/16" (195 mm)	16" (406 mm)	15-5/16" (388 mm)	16-15/16" (430 mm)	18-1/2" (470 mm)
KCME-2RCT	36-9/16" (928 mm)	18-3/4" (475 mm)	7-11/16" (195 mm)	32-15/16" (836 mm)	15-5/16" (388 mm)	33-7/8" (860 mm)	18-1/2" (470 mm)



## Généralités

Les crêpières robustes sont expédiées prémontées et prêtes à être culottées avant la première utilisation. Veillez à ne pas endommager l'appareil lors du déballage du carton d'expédition. La procédure d'installation suivante doit être suivie avant de brancher l'électricité et d'utiliser l'appareil.

### AVERTISSEMENT

**DANGER DE DÉCHARGE ÉLECTRIQUE:** L'appareil n'est pas résistant aux intempéries. Placez l'appareil à l'intérieur, dans une zone dont la température ambiante est de 40°C (104°F) maximum.

#### DANGER D'INCENDIE:

- Placez l'appareil à au moins 203 mm (8") des murs et matières inflammables. Si ces distances de sécurité ne sont pas respectées, une décoloration ou une combustion peut se produire.
- N'obstruez pas les ouvertures de ventilation d'air de l'appareil. Cela pourrait provoquer une combustion ou une défaillance de l'unité.

1. Vérifiez que le carton d'expédition ne présente pas de défauts visibles à l'œil nu dus au transport. En cas de dommages, prévenez immédiatement la société de transport. **ATTENTION! Arrêter! N'essayez pas d'utiliser l'appareil s'il est endommagé. Contactez Hatco pour obtenir une assistance.**
2. Retirez l'appareil et tous les composants/accessoires indépendants du carton d'expédition. Les composants indépendants suivants sont inclus dans chaque crêpière :
  - Épandeur plat
  - Spatule

*NOTA: Pour éviter des retards dans l'obtention de la couverture de la garantie, complétez l'enregistrement en ligne de votre garantie. Lisez la section INFORMATIONS IMPORTANTES POUR LE PROPRIÉTAIRE pour plus de détails.*

3. Retirez le ruban et l'emballage de protection de toutes les surfaces de l'appareil.
  - Assurez-vous de retirer l'ensemble des films protecteurs recouvrant les surfaces en acier inoxydable.
4. Vérifiez la présence ou non de dommages dus au transport, tels que des bosses sur le boîtier ou des boutons cassés. En cas de dommages, prévenez immédiatement la société de transport.

### ATTENTION

Placez l'appareil sur un plan de travail dont la hauteur est appropriée, à un emplacement pratique à utiliser. L'emplacement choisi doit être de niveau et solide afin de supporter le poids de l'appareil et de son contenu.

### AVIS

Ne placez pas l'appareil dans une zone soumise à des températures excessives ou exposée à de la graisse provenant de grils, poêles, etc. Des températures excessives et la graisse risquent d'endommager l'appareil.

Les dommages à toute partie du comptoir pouvant être causés par la chaleur générée par cet équipement ne sont pas couverts par la garantie de Hatco. Contactez le fabricant du comptoir pour plus de renseignements.

5. Placez l'appareil à l'emplacement souhaité.
  - Placez l'appareil dans une zone dont la température ambiante est constante (40°C [104°F] maximum). Évitez les zones pouvant être soumises à des mouvements d'air ou à des courants d'air actifs (c.-à-d. à proximité des ventilateurs/capots d'échappement et des conduites de climatisation).
  - Assurez-vous que l'unité est placée à une hauteur appropriée dans une zone facilitant son utilisation.
  - Veillez à ce que le comptoir soit plat et assez résistant pour supporter le poids de l'unité et des produits alimentaires.
  - Veuillez vous assurer que tous les pieds en dessous de l'appareil sont fermement positionnés sur le comptoir.

## Généralités

Les crêpières robustes sont conçues pour une utilisation facile. Utilisez les informations et les procédures suivantes pour faire fonctionner une crêpière.

### ⚠ AVERTISSEMENT

Lire tous les messages de sécurité de la section **CONSIGNES DE SÉCURITÉ IMPORTANTES** avant d'utiliser ce matériel.

## Panneau de commande

Voici la description des commandes utilisées pour faire fonctionner la crêpière. Toutes les commandes se trouvent sur le panneau de commande à l'avant de l'unité.

### Interrupteur d'alimentation I/O (marche/arrêt)

L'interrupteur d'alimentation I/O (marche/arrêt) permet d'allumer ou d'éteindre l'appareil. Il est situé à l'avant de l'appareil et s'allume lorsqu'il est en mode I (marche).

### Témoin de chauffe

Le témoin de chauffe s'allume lorsque les éléments chauffants sont sous tension et chauffent la plaque. Le témoin de chauffe s'éteint une fois que l'appareil a atteint sa température de consigne.

### Thermostat

Le thermostat contrôle le réglage de la température de l'appareil. Tournez le thermostat dans le sens horaire pour augmenter le réglage de température. Tournez le thermostat dans le sens inverse des aiguilles d'une montre abaissera la température. La plage de températures de l'appareil est de 50 à 300 °C (120 à 570 °F).

## Culottage des plaques chauffantes

Suivez la procédure suivante pour culotter la ou les plaques chauffantes en fonte avant d'utiliser la crêpière pour la première fois. Cette procédure prendra environ une heure à une heure et demie.

*NOTA: Réalisez la procédure de culottage dans un endroit bien ventilé, de préférence sous une hotte d'extraction. Une quantité importante de fumée sera générée, ce qui est normal.*

1. Branchez l'appareil sur une prise de courant reliée à la terre de tension, de taille et de configuration de fiche correctes. Consultez la section CARACTÉRISTIQUES TECHNIQUES pour obtenir plus de détails.

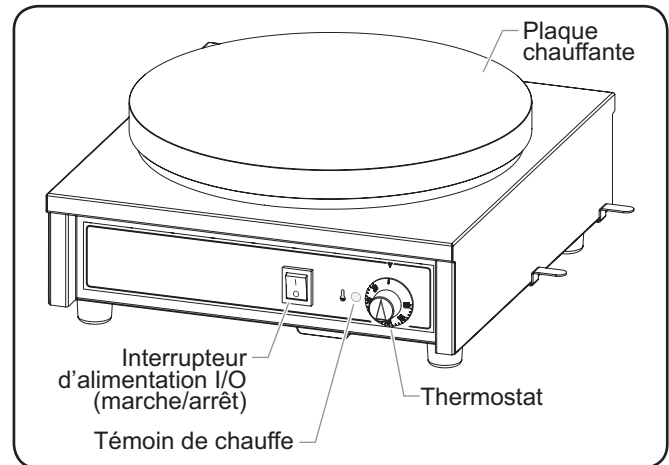
### ⚠ ATTENTION

#### DANGER DE BRÛLURE :

- Certaines surfaces extérieures de l'appareil seront chaudes. Évitez tout contact inutile avec l'appareil.
  - N'entrez pas en contact avec la plaque chauffante pendant le fonctionnement de l'appareil, elle est très chaude.
2. Mettez l'interrupteur d'alimentation I/O (marche/arrêt) en position I (marche).
  3. Tournez le thermostat dans le sens des aiguilles d'une montre pour régler la température sur 250 °C (480 °F).
    - Le témoin de chauffe s'allume.
    - Laissez l'appareil à ce réglage pendant toute la procédure de culottage.

4. Laissez préchauffer complètement l'appareil.
  - Le témoin de chauffe s'éteint lorsque l'unité atteint la température sélectionnée.
5. Versez une cuillère à café d'huile végétale de cuisson au centre de la plaque chauffante.
6. Répandez l'huile de manière uniforme sur toute la surface de la plaque.

*NOTA: Un tampon de nettoyage servant à étaler l'huile et à nettoyer la surface de la plaque chauffante est disponible comme accessoire. Consultez la section OPTIONS ET ACCESSOIRES pour obtenir plus de détails.*



Modèle KCME-1RCT

7. Faites chauffer l'huile pendant 5 à 10 minutes, jusqu'à ce que la fumée disparaisse.
  - La plaque chauffante fumera pendant que l'huile cuit à la surface. La fumée diminuera et disparaîtra à mesure que l'huile séchera à la surface.
8. Suivez les étapes 5 à 7 de cette procédure trois (3) fois de plus.
9. Suivez les étapes 5 à 7 de cette procédure cinq (5) fois de plus, mais réduisez la quantité d'huile à 1/2 cuillère à café.
  - À mesure que la surface de la plaque chauffante est culottée, elle devient progressivement brune, puis brille.
10. Essuyez la surface de la plaque une dernière fois sans y ajouter de l'huile.
  - Une plaque chauffante bien culottée semble vernie d'une couleur marron clair.
11. Référez-vous à la procédure « Fonctionnement de l'appareil » de la présente section.

## Fonctionnement de l'appareil

*NOTA: Veuillez à réaliser la procédure de « Culottage des plaques chauffantes » avant d'utiliser la crêpière pour la première fois. Veuillez également à laver tous les accessoires avant la première utilisation.*

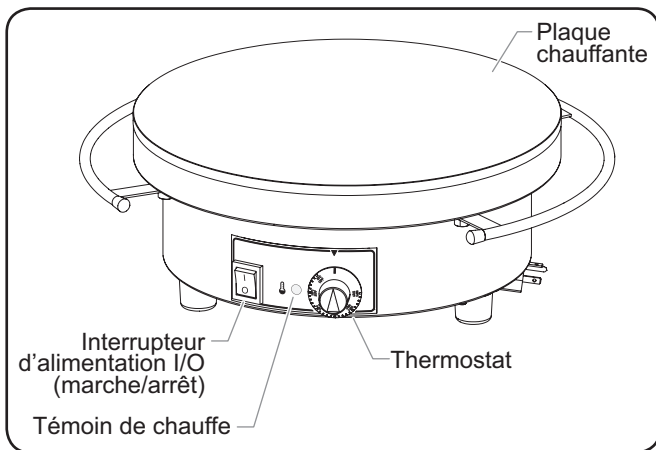
### Allumage

1. Branchez l'appareil sur une prise de courant reliée à la terre de tension, de taille et de configuration de fiche correctes. Consultez la section CARACTÉRISTIQUES TECHNIQUES pour obtenir plus de détails.



### DANGER DE BRÛLURE :

- Certaines surfaces extérieures de l'appareil seront chaudes. Évitez tout contact inutile avec l'appareil.
  - N'entrez pas en contact avec la plaque chauffante pendant le fonctionnement de l'appareil, elle est très chaude.
2. Mettez l'interrupteur d'alimentation I/O (marche/arrêt) en position I (marche).
  3. Tournez la commande de la température dans le sens des aiguilles d'une montre pour choisir le réglage de température souhaité.
    - La température de cuisson des crêpes est comprise entre 200°C et 230°C (390°F et 450°F).
    - Le témoin de chauffe s'allume.



4. Étalez une légère couche d'huile sur toute la surface de la plaque chauffante.

*NOTA: Un tampon de nettoyage servant à étaler l'huile et à nettoyer la surface de la plaque chauffante est disponible comme accessoire. Consultez la section OPTIONS ET ACCESSOIRES pour obtenir plus de détails.*

5. Versez une louche de pâte sur la plaque chauffante et étalez-la à l'aide de l'épandeur fourni.
  - Tenez légèrement l'épandeur et faites un mouvement circulaire doux autour de toute la plaque chauffante. Continuez le mouvement circulaire jusqu'à ce que la plaque soit complètement recouverte. Retournez et remplissez les trous/déchirures à mesure qu'ils se produisent.

6. Laissez cuire la crêpe pendant la durée appropriée sur le premier côté, en fonction de la recette de la pâte. Le temps de cuisson peut être ajusté après quelques cycles de cuisson d'essai.

7. Retournez délicatement la crêpe à l'aide de la spatule fournie.

- À l'aide de la spatule, décollez les bords de la crêpe avant de la retourner.

*NOTA: Une spatule métallique est disponible comme accessoire. Consultez la section OPTIONS ET ACCESSOIRES pour obtenir plus de détails.*

8. Laissez cuire la crêpe pendant la durée appropriée sur le deuxième côté, en fonction de la recette de la pâte. Le temps de cuisson peut être ajusté après quelques cycles de cuisson d'essai.

9. Retirez la crêpe de la plaque chauffante à l'aide de la spatule.

10. Continuez à cuire des crêpes en répétant les étapes 5 à 9 de cette procédure.

- Essuyez la plaque après chaque deux crêpes.
- Si les crêpes commencent à coller, étalez une petite quantité d'huile sur la surface de la plaque. Appliquez une quantité d'huile supplémentaire sur la plaque chauffante d'une cuisson à l'autre au besoin.

*NOTA: Lors de la première utilisation de la crêpière après le premier culottage, étalez une petite quantité d'huile sur la surface de la plaque entre chaque crêpe.*

### Arrêt

1. Tournez le thermostat à fond dans le sens inverse des aiguilles d'une montre.
2. Mettez l'interrupteur d'alimentation I/O (marche/arrêt) en position O (arrêt).
3. Effectuez la procédure de « Nettoyage quotidien » décrite dans la section Maintenance de ce manuel.

## Généralités

Les crêpières robustes ont été conçues pour offrir une durabilité et un rendement maximaux avec un minimum d'entretien.

### AVERTISSEMENT

#### DANGER DE DÉCHARGE ÉLECTRIQUE :

- Mettez hors tension en utilisant l'interrupteur, débranchez le cordon d'alimentation et laissez l'unité refroidir avant d'effectuer tout nettoyage, tout réglage ou tout entretien.
- NE PAS immerger l'appareil ni le saturer d'eau. L'appareil n'est pas étanche à l'eau. Ne pas le faire fonctionner s'il a été immergé ou saturé d'eau.
- Ne pas nettoyer à la vapeur ni utiliser trop d'eau sur l'appareil.
- Cet appareil n'est pas étanche aux jets. Ne pas utiliser de jet sous pression pour nettoyer l'appareil.
- Ne nettoyez pas l'appareil tant qu'il est branché ou chaud.
- Ne renversez pas de liquides dans l'appareil.
- Cet appareil doit uniquement être réparé par un personnel qualifié. Toute réparation par un personnel non qualifié peut entraîner une électrocution et des brûlures.
- Pour les réparations, utiliser exclusivement des pièces de rechange Hatco d'origine. Utilisez des pièces détachées Hatco authentiques sous peine d'annuler toutes les garanties et d'exposer l'utilisateur à des tensions électriques dangereuses pouvant entraîner une électrocution ou des brûlures. Les pièces de rechange Hatco d'origine sont conçues pour fonctionner sans danger dans les environnements dans lesquels elles sont utilisées. Certaines pièces de rechange génériques ou de second marché ne présentent pas les caractéristiques leur permettant de fonctionner sans danger dans la matériel Hatco.

Cet appareil ne contient aucune pièce réparable par l'utilisateur. Si cet appareil doit être réparé, contacter un réparateur Hatco agréé ou le Service après-vente Hatco au 800-558-0607 ou 414-671-6350.

### ATTENTION

**DANGER DE BRÛLURE:** Laissez l'appareil refroidir avant d'effectuer tout nettoyage, réglage ou entretien.

## Nettoyage quotidien

Afin de préserver la finition de l'unité et de conserver son efficacité, il est recommandé de nettoyer l'unité quotidiennement.

### AVERTISSEMENT

Plonger l'appareil dans l'eau, ou le saturer d'eau, endommage l'équipement et entraîne l'annulation de sa garantie.

### AVIS

En ce qui concerne les surfaces en acier, utilisez des chiffons et produits nettoyants non abrasifs uniquement. Les chiffons et nettoyant abrasifs pourraient rayer la finition de l'unité, altérant son apparence et la rendant vulnérable à l'accumulation de saleté.

L'utilisation de produits chimiques agressifs tels que l'eau de javel, les produits nettoyants contenant de la javel, ou les produits de nettoyage pour les fours sont proscrits pour nettoyer l'appareil.

N'essayez pas de refroidir rapidement la plaque chauffante, en la rinçant ou en l'immergeant dans de l'eau par exemple. Cela endommagera la plaque.

Nettoyez l'unité quotidiennement pour éviter les dysfonctionnements et assurer un fonctionnement sain.

1. Effectuez la procédure « Arrêt » dans la section FONCTIONNEMENT de ce manuel et laissez l'appareil refroidir.
2. Essuyez la plaque chauffante à l'aide d'un chiffon propre non abrasif.

*NOTA: Un tampon de nettoyage servant à étaler l'huile et à nettoyer la surface de la plaque chauffante est disponible comme accessoire. Consultez la section OPTIONS ET ACCESSOIRES pour obtenir plus de détails.*

3. Essuyez le châssis de l'appareil à l'aide d'un chiffon non abrasif humidifié avec de l'eau chaude et du savon doux. Les taches persistantes peuvent être éliminées à l'aide d'un bon produit de nettoyage pour acier inoxydable. Les recoins difficiles d'accès devront être nettoyés à l'aide d'une petite brosse et de savon doux.
4. Essuyez entièrement le châssis de l'appareil à l'aide d'un chiffon non abrasif humidifié uniquement avec de l'eau chaude.
5. Séchez le châssis de l'appareil à l'aide d'un chiffon sec, propre et non abrasif.

*NOTA: L'huile et les graisses s'accumuleront sur la surface de la plaque chauffante au fil du temps. Cela finira par affecter les performances de la crêpière. Une pierre abrasive est disponible comme accessoire (voir OPTIONS ET ACCESSOIRES). Utilisez la pierre abrasive pour décaper régulièrement la plaque afin de maintenir les performances de l'appareil. La procédure « Culottage des plaques chauffantes » doit être effectuée après le décapage de la plaque chauffante.*



## ⚠ AVERTISSEMENT

La réparation de cet appareil doit être confiée exclusivement à du personnel qualifié. Les réparations par des personnes non qualifiées peuvent provoquer des décharges électriques et des brûlures.

## ⚠ AVERTISSEMENT

**DANGER DE DÉCHARGE ÉLECTRIQUE:** Mettez hors tension en utilisant l'interrupteur, débranchez le cordon d'alimentation et laissez l'unité refroidir avant d'effectuer tout nettoyage, tout réglage ou tout entretien.

Symptômes	Causes Probables	Action Correctrice
L'appareil est allumé mais ne produit pas de chaleur.	L'élément chauffant est défectueux.	Contactez votre agent de maintenance agréé ou Hatco pour toute demande d'assistance.
	La commande de température est défectueuse.	
L'appareil n'est pas suffisamment chaud.	La commande de température est réglée à un niveau trop faible.	Tournez la commande de température dans le sens horaire pour augmenter le réglage de température.
	L'élément chauffant est défectueux.	Contactez votre agent de maintenance agréé ou Hatco pour toute demande d'assistance.
L'appareil ne fonctionne pas du tout.	L'appareil n'est pas allumé.	Consultez « Fonctionnement de l'appareil » de la partie MODE D'EMPLOI de ce manuel.
	L'appareil n'est pas branché.	Branchez l'appareil sur une source d'alimentation adaptée.
	Le disjoncteur s'est déclenché.	Redémarrez le coupe-circuit. Si le disjoncteur de circuit continue de se déclencher, contactez un agent d'entretien agréé ou Hatco pour obtenir une assistance.
	La commande de température est défectueuse.	Contactez votre agent de maintenance agréé ou Hatco pour toute demande d'assistance.

### Vous avez des questions en ce qui concerne les pannes?

Si le problème persiste, veuillez contacter l'agence d'entretien agréée Hatco la plus proche ou Hatco pour obtenir une assistance. Pour trouver l'agence d'entretien la plus proche, rendez-vous sur le site Internet de Hatco ([www.hatcocorp.com](http://www.hatcocorp.com)) et sélectionnez le menu déroulant *Support (Assistance)*, puis cliquez sur « Find A Service Agent » (trouver un agent d'entretien); ou contactez l'équipe d'entretien et de pièces détachées de Hatco :

Numéro de  
téléphone: 800-558-0607 ou 414-671-6350  
Courriel: [support@hatcocorp.com](mailto:support@hatcocorp.com)

## OPTIONS ET ACCESSOIRES

### Général

Les accessoires suivants sont disponibles pour les crêpières.

**FLATSPREADER**.....Épandeur plat

**RNDSPREADER**.....Épandeur rond en acier

**13.75SPATULA** .....Spatule métallique de 350 mm (13 3/4")  
avec manche en plastique

**CLEANPAD**.....Tampon de nettoyage avec chiffons de  
nettoyage remplaçables

**15PADREFILL**.....Recharge de chiffon de nettoyage,  
15 chiffons

**ABRSTONE** .....Pierre de nettoyage abrasive



**1. GARANTIE DU PRODUIT**

Hatco garantit que les produits qu'il fabrique (les « Produits ») sont exempts de défauts de matériel et de fabrication, dans des conditions normales d'utilisation et de maintenance, pour une période d'un (1) an à partir de la date d'achat à condition que l'appareil soit installé et entretenu conformément aux instructions écrites de Hatco ou 18 mois après la date de l'expédition par Hatco. L'acheteur doit prouver la date d'achat du Produit par l'enregistrement de ce dernier auprès de Hatco ou par d'autres moyens satisfaisants pour Hatco, à sa seule discrétion.

Hatco garantit que les composants du Produit suivants sont exempts de défauts de matériel et de fabrication à partir de la date d'achat (sous réserve des conditions précédentes) pour la ou les périodes de temps et en fonction des conditions listées ci-dessous :

- a) **Garantie d'un (1) an pour les pièces et la main-d'œuvre PLUS un (1) an supplémentaire pour les pièces uniquement :**  
 Éléments du grille-pain à convoyeur (enveloppe métallique)  
 Éléments des tiroirs chauffants (enveloppe métallique)  
 Tiroirs, roues et glissières des tiroirs chauffants  
 Éléments des rampes chauffantes (enveloppe métallique)  
 Éléments des vitrines chauffantes  
 (enveloppe métallique, air chauffant)  
 Éléments des armoires de stockage  
 (enveloppe métallique, air chauffant)  
 Éléments des compartiments chauffants —  
 série HW et HWB (enveloppe métallique)
- b) **Garantie de deux (2) ans pour les pièces et la main-d'œuvre :**  
 Gammes à induction  
 Réchauds à induction
- c) **Garantie d'un (1) an pour les pièces et la main-d'œuvre PLUS quatre (4) ans pour les pièces uniquement :**  
 Cuves 3CS et FR
- d) **Garantie d'un (1) an pour les pièces et la main-d'œuvre PLUS neuf (9) ans pour les pièces uniquement :**  
 Cuves des appareils de chauffage d'appoint électriques  
 Cuves des appareils de chauffage d'appoint à gaz
- e) **Garantie de quatre-vingt-dix (90) jours pour les pièces uniquement :**  
 Pièces de rechange

LES GARANTIES PRÉCÉDENTES SONT EXCLUSIVES ET REMPLACENT TOUTES AUTRES GARANTIES, EXPRESSES OU IMPLICITES, COMPRENANT, MAIS NE SE LIMITANT PAS, À TOUTES GARANTIES IMPLICITES DE QUALITÉ MARCHANDE OU DE FINALITÉ PARTICULIÈRE OU TOUS BREVETS OU TOUTES AUTRES ATTEINTES AUX DROITS DE LA PROPRIÉTÉ INTELLECTUELLE. Sans restreindre la portée générale des énoncés précédents, CES GARANTIES NE COUVRENT PAS LES ÉLÉMENTS SUIVANTS : ampoules d'éclairage à incandescence enduites, lumières fluorescentes, ampoules de lampes chauffantes, ampoules d'éclairage à halogène enduites, ampoules de lampes chauffantes au xénon, tubes d'éclairage DEL, composants en verre et fusibles ; défaut de produit dans la cuve d'un appareil de chauffage d'appoint, dans un échangeur de chaleur à tubes à ailettes ou tout autre équipement de chauffage d'eau causé par la calcification, l'accumulation de sédiments, la réaction d'un produit chimique ou le gel ; ou une mauvaise utilisation, une manipulation ou une mauvaise application, une installation inappropriée du Produit ou l'utilisation d'une tension inappropriée.

**2. LIMITES DES RECOURS ET DES DOMMAGES**

La responsabilité de Hatco et la seule voie de recours de l'Acheteur prévues par les présentes seront limitées exclusivement, au gré de Hatco, à la réparation ou au remplacement à l'aide de pièces ou de Produits nouveaux ou remis à neuf par Hatco ou un centre de réparation agréé par Hatco (sauf si l'Acheteur se situe hors des États-Unis, du Canada, du Royaume-Uni ou de l'Australie, auquel cas la responsabilité de Hatco et la seule voie de recours de l'Acheteur seront limitées exclusivement au remplacement des pièces concernées par la garantie) à l'égard de toute revendication effectuée dans les délais de garantie applicables mentionnés ci-dessus. Hatco se réserve le droit d'accepter ou de rejeter toute réclamation en partie ou dans son intégralité. Dans le cadre de cette Garantie limitée, « remis à neuf » signifie une pièce ou un Produit dont les caractéristiques techniques d'origine ont été restaurées par Hatco ou un centre de réparation agréé par Hatco. Hatco n'acceptera aucun retour de Produits sans qu'il n'ait auparavant donné son accord écrit, et tous ces retours approuvés doivent être effectués aux seuls frais de l'Acheteur. HATCO NE SERA PAS TENU RESPONSABLE, DANS AUCUNE CIRCONSTANCE, DES DOMMAGES CONSÉCUTIFS OU INDIRECTS, COMPRENANT, MAIS NE SE LIMITANT PAS, AUX COÛTS DE MAIN-D'ŒUVRE OU PERTES DE PROFITS DUS À UNE UTILISATION OU À UNE IMPOSSIBILITÉ D'UTILISER LES PRODUITS OU DUS AU FAIT QUE LES PRODUITS ONT ÉTÉ INTÉGRÉS DANS OU QU'ILS SONT DEVENUS UN COMPOSANT DE TOUT AUTRE PRODUIT OU BIEN.

# AUTHORIZED PARTS DISTRIBUTORS • DISTRIBUTEURS DE PIÈCES AUTORISÉS

## ALABAMA

Jones McLeod Appl. Svc.  
Birmingham 205-251-0159

## ARIZONA

Tech 24  
Phoenix 602-234-2443

Byassee Equipment Co.  
Phoenix 602-252-0402

## CALIFORNIA

Industrial Electric  
Commercial Parts & Service, Inc.  
Huntington Beach 714-379-7100

Chapman Appl. Service  
San Diego 619-298-7106

P & D Appliance  
Commercial Parts & Service, Inc.  
S. San Francisco 650-635-1900

## COLORADO

Hawkins Commercial Appliance  
Englewood 303-781-5548

## FLORIDA

Whaley Foodservice Repair  
Jacksonville 904-725-7800

Whaley Foodservice Repair  
Orlando 407-757-0851

B.G.S.I./Heritage  
Pompano Beach 954-971-0456

Comm. Appliance Service  
Tampa 813-663-0313

## GEORGIA

Heritage Service Group  
Norcross 866-388-9837

## HAWAII

Burney's Comm. Service, Inc.  
Honolulu 808-848-1466

Food Equip Parts & Service  
Honolulu 808-847-4871

## ILLINOIS

Parts Town  
Addison 708-865-7278

Eichenauer Elec. Service  
Decatur 217-429-4229

Midwest Elec. Appl. Service  
Elmhurst 630-279-8000

Cone's Repair Service  
Moline 309-797-5323

## IOWA

Goodwin Tucker Group  
Des Moines 515-262-9308

## KENTUCKY

Tech 24  
Lexington 859-254-8854

Tech 24  
Louisville 502-451-5411

## LOUISIANA

Chandlers Parts & Service  
Baton Rouge 225-272-6620

## MARYLAND

Electric Motor Service  
Baltimore 410-467-8080

## MASSACHUSETTS

Ace Service Co., Inc.  
Needham 781-449-4220

## MICHIGAN

Bildons Appliance Service  
Detroit 248-478-3320

Commercial Kitchen Service  
Bay City 989-893-4561

Midwest Food Equip. Service  
Grandville 616-261-2000

## MISSOURI

General Parts  
Kansas City 816-421-5400

Commercial Kitchen Services  
St. Louis 314-890-0700

Kaemmerlen Parts & Service  
St. Louis 314-535-2222

## NEBRASKA

Anderson Electric  
Omaha 402-341-1414

## NEVADA

Burney's Commercial  
Las Vegas 702-736-0006

Hi. Tech Commercial Service  
N. Las Vegas 702-649-4616

## NEW JERSEY

Jay Hill Repair  
Fairfield 973-575-9145

Service Plus  
Flanders 973-691-6300

## NEW YORK

Alpro Service Co.  
Maspeth 718-386-2515

Duffy's - AIS  
Buffalo 716-884-7425

3Wire  
Plattsburgh 800-634-5005

Duffy's - AIS  
Sauquoit 800-836-1014

J.B. Brady, Inc.  
Syracuse 315-422-9271

## NORTH CAROLINA

Authorized Appliance  
Charlotte 704-377-4501

## OHIO

Akron/Canton Comm. Svc. Inc.  
Akron 330-753-6634

Tech 24  
Cincinnati 513-772-6600

Commercial Parts and Service  
Columbus 614-221-0057

Electrical Appl. Repair Service  
Brooklyn Heights 216-459-8700

E. A. Wichman Co.  
Toledo 419-385-9121

## OKLAHOMA

Hagar Rest. Service, Inc.  
Oklahoma City 405-235-2184

## OREGON

General Parts Group  
Portland 503-624-0890

## PENNSYLVANIA

Elmer Schultz Services  
Philadelphia 215-627-5401

FAST Comm. Appl. Service  
Philadelphia 215-288-4800

AIS Commercial Parts and Service  
Pittsburgh 412-809-0244

K & D Service Co.  
Harrisburg 717-236-9039

Electric Repair Co.  
Reading 610-376-5444

## RHODE ISLAND

Marshall Electric Co.  
Providence 401-331-1163

## SOUTH CAROLINA

Whaley Foodservice Repair  
Lexington 803-996-9900

## TENNESSEE

Camp Electric  
Memphis 901-527-7543

## TEXAS

Armstrong Repair Service  
Houston 713-666-7100

Cooking Equipment Specialist  
Mesquite 972-686-6666

Commercial Kitchen Repair Co.  
San Antonio 210-735-2811

## UTAH

La Monica's Rest. Equip. Service  
Murray 801-263-3221

## VIRGINIA

Daubers  
Norfolk 757-855-4097

Daubers  
Springfield 703-866-3600

## WASHINGTON

3Wire  
Seattle 800-207-3146

## WISCONSIN

A.S.C., Inc.  
Madison 608-246-3160

A.S.C., Inc.  
Milwaukee 414-543-6460

## CANADA

### ALBERTA

Key Food Equipment Service  
Edmonton 780-438-1690

### BRITISH COLUMBIA

Key Food Equipment Service  
Vancouver 604-433-4484

Key Food Equipment Service  
Victoria 250-920-4888

### MANITOBA

Air Rite, Inc.  
Winnipeg 204-895-2300

### NEW BRUNSWICK

EMR Services, Ltd.  
Moncton 506-855-4228

### ONTARIO

R.C. Henderson Ltd.  
Toronto 416-422-5580

Choquette - CKS, Inc.  
Ottawa 613-739-8458

### QUÉBEC

Choquette - CKS, Inc.  
Montreal 514-722-2000

Choquette - CKS, Inc.  
Québec City 418-681-3944

## UNITED KINGDOM

Marren Group  
Northants +44(0)1933 665313

**HATCO CORPORATION**

P.O. Box 340500

Milwaukee, WI 53234-0500 U.S.A.

800-558-0607 414-671-6350

support@hatcocorp.com

www.hatcocorp.com

**Register your unit online!**

See IMPORTANT OWNER INFORMATION  
section for details.

**Enregistrez votre appareil en ligne !**

Lisez la section INFORMATIONS IMPORTANTES POUR  
LE PROPRIÉTAIRE pour plus d'informations.