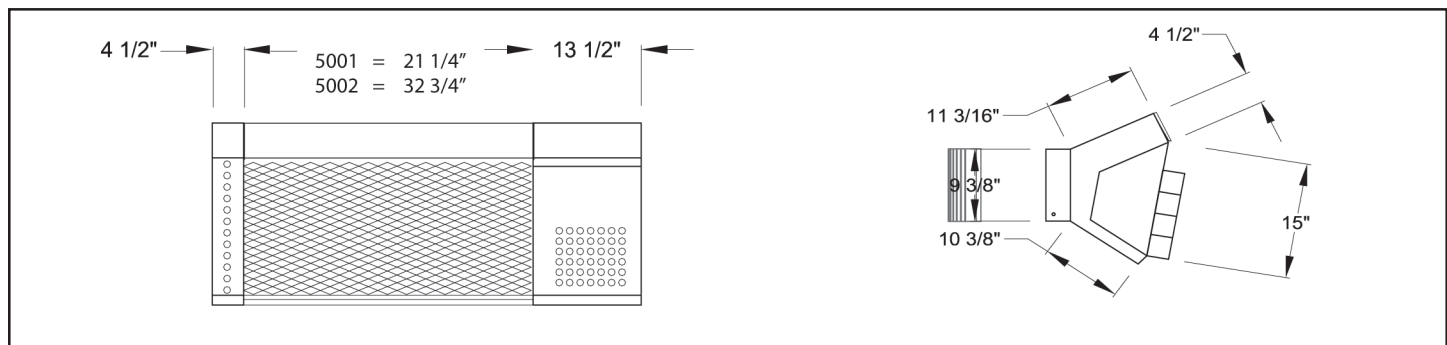


MODEL	BTU (hr)	Gas	Minimum Gas Line Pressure	Maximum Gas Line Pressure	Manifold Pressure	Dimension Overall L x H	Weight (lbs)
PHB5001NG	29,500	NATURAL	6" W.C.	14" W.C.	5" W.C.	39 1/4" x 21 1/4"	72
PHB5001LP	29,500	LP	11" W.C.	14" W.C.	10" W.C.	39 1/4" x 21 1/4"	72
PHB5002NG	44,000	NATURAL	6" W.C.	14" W.C.	5" W.C.	50 1/2" x 21 1/4"	88
PHB5002LP	44,000	LP	11" W.C.	14" W.C.	10" W.C.	50 1/2" x 21 1/4"	88

ELECTRICAL			GAS INLET SIZE
24 Volt	60 Hertz	120 VA	1/2"

DIMENSIONS



MINIMUM CLEARANCES TO COMBUSTIBLES

MODEL	Front and Rear of Heater <F>	Below Heater <G>	Front of <L>
PHB5001	30"	90"	66"
PHB5002	30"	90"	66"

