



# STAINLESS STEEL WETBATH TABLES WITH UNDERSHELF



Item #: \_\_\_\_\_ Qty #: \_\_\_\_\_  
 Model #: \_\_\_\_\_  
 Project #: \_\_\_\_\_

**WB-4G-LP Shown**

**FEATURES:**

- 15,000 BTU'S / 2 and 3 compartments
- 25,000 BTU'S / 4 and 5 compartments
- Single control knob with 3 settings
- Pilot indicator openings
- Dish shelf of stainless steel
- Stainless steel undershelf
- 1" thick poly cutting board (8" wide) - Ships K.D.
- Wet Gas units are perfect for prepared food. It maintains food temperature with hot steam. Add 1-2" of water to the wet bath unit to achieve the correct amount of hot moisture.

**MATERIAL:**

- TOP:** 20 gauge #302 stainless steel with die stamped pan openings. (11.875" x 20.062")
- BODY:** 22 gauge #430 stainless steel
- LEGS:** 18 gauge, #302 stainless steel with fully adjustable non-marking tip plastic bullet foot
- LINERS:** 8" deep, 22 Gauge, #302 stainless steel
- CUTTING BOARD:** White thermoplastic
- CUTTING BOARD BRACKETS:** 16 gauge, #302 stainless steel
- PLATE SHELF:** 18 gauge, #302 stainless steel

**GAS:**

- Available for Natural Gas or Bottled Gas
- 1/2" female NPT connection to regulator
- Infinite Control knobs
- Indicator lights
- Note:** External pressure regulator is required. 4" WC pressure in for Natural Gas and 10" WC pressure in for LP

Model #	Gas Type	Length	Width*	# of Wells	Approx. Weight	Approx. Cu. Ft.
WB-2G-NAT	NATURAL GAS	A = 31-13/16"	22.625"	2	96 lbs.	28
WB-3G-NAT	NATURAL GAS	B = 47-1/8"	22.625"	3	130 lbs.	41
WB-4G-NAT	NATURAL GAS	C = 62-7/16"	22.625"	4	157 lbs.	55
WB-5G-NAT	NATURAL GAS	D = 77-3/4"	22.625"	5	176 lbs.	67
WB-2G-LP	NATURAL GAS	A = 31-13/16"	22.625"	2	96 lbs.	28
WB-3G-LP	NATURAL GAS	B = 47-1/8"	22.625"	3	130 lbs.	41
WB-4G-LP	NATURAL GAS	C = 62-7/16"	22.625"	4	157 lbs.	55
WB-5G-LP	NATURAL GAS	D = 77-3/4"	22.625"	5	176 lbs.	67

**NOTE: Units are not designed to cook or heat frozen or refrigerated foods. Food placed in tables should already be hot, and the table will maintain the proper temperatures**

## Food Table Accessories

Visit our website for additional Food Table Accessories



SP-A - Spillage Pan

- SU-P-101** Gas Valve
- SU-P-105** Jet Burner for Natural Gas Unit (NAT 5/16 #61)
- SU-P-106** Jet Burner for Natural Gas Unit (NAT 5/16 #74)
- SU-25** Portable Kit (Includes 4-5" Swivel Casters, 2 w/ Brakes & Universal Mount Push Handle)
- SP-A** Aluminum Spillage Pan
- SP-S** Stainless Steel Spillage Pan



SU-25 - Casters



**Customer Service Available To Assist You 1-800-645-3166 8:30 am - 8:00 pm E.S.T.**

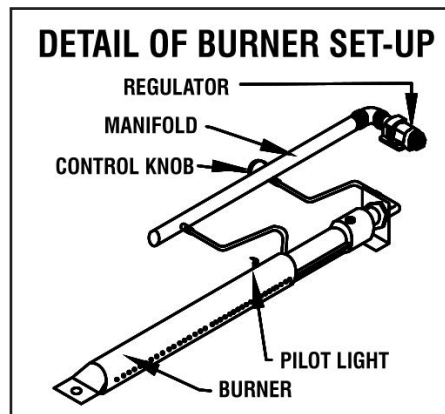
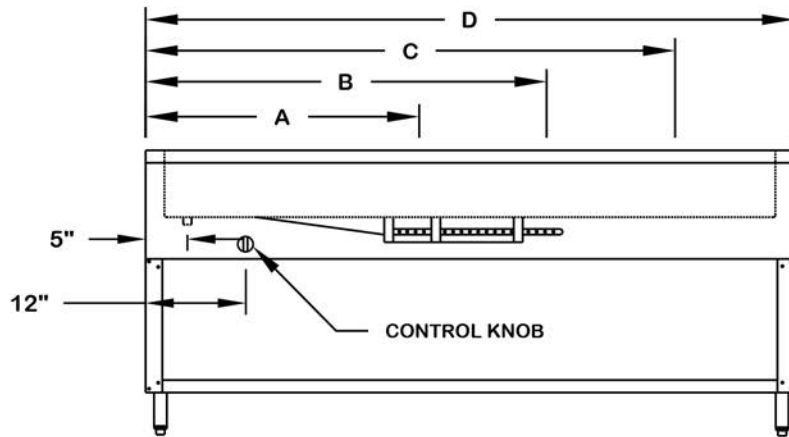
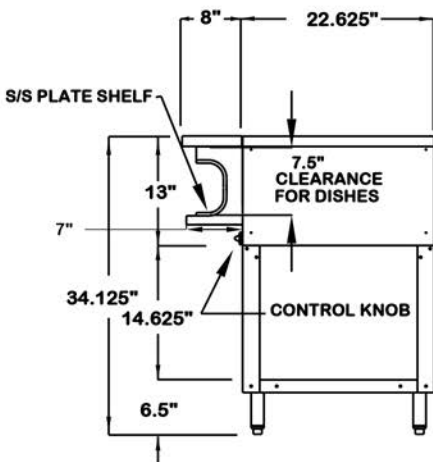
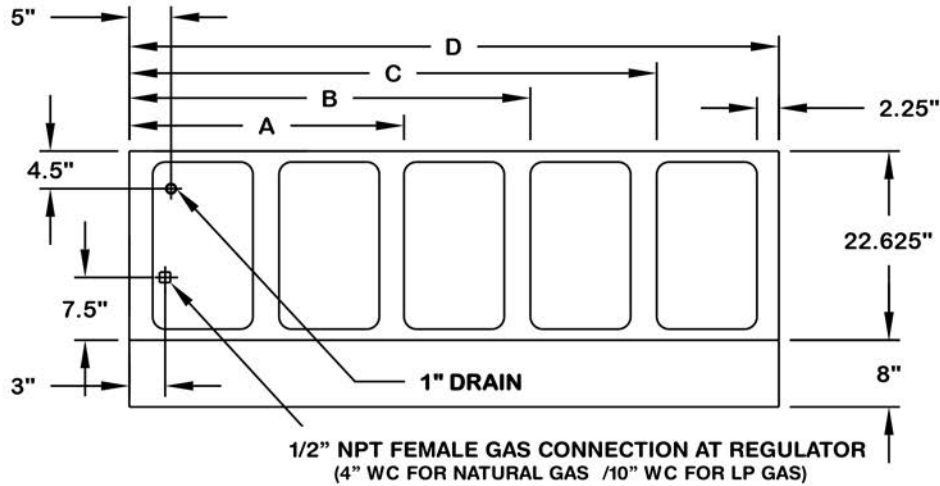
For Orders & Customer Service:  
 Email: customer@advancetabco.com or Fax: 631-242-6900

For Smart Fabrication™ Quotes:  
 Email: smartfab@advancetabco.com or Fax: 631-586-2933

# DIMENSIONS and SPECIFICATIONS

TOL ± .125"

ALL DIMENSIONS ARE TYPICAL



ADVANCE TABCO is constantly engaged in a program of improving our products. Therefore, we reserve the right to change specifications without prior notice.