

RUGGED CONSTRUCTION

ROYAL QUALITY



Model SKBR1



Model SKBR2

- Rugged stainless steel construction inside and out
- Programmable controls for temperature, defrost and alarm features
- Energy efficient design carries energy star rating



Money Isn't All You're Saving

SILVER KING
WE'VE GOT REFRIGERATION DOWN COLD.

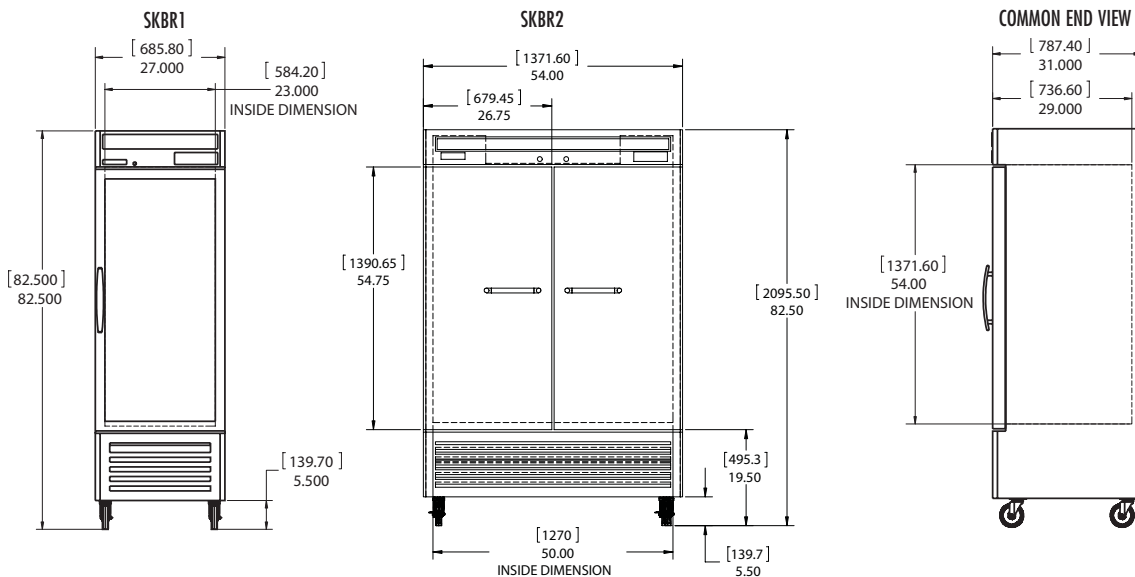
REACH-IN REFRIGERATOR SPECIFICATIONS

MODELS
SKBR1
SKBR2

EXTERIOR	Stainless steel front and sides, Galvanized back and bottom.
INTERIOR	Stainless steel throughout. Covered corners and finished edges. Interior light supplied.
INSULATION	Environmentally friendly foamed-in-place polyurethane insulation for maximum strength, durability and performance.
DOOR	Self-closing rugged stainless steel construction with lock. Field reversible.
SHELVES	Heavy gauge wire epoxy coated shelves for superior durability and a smooth finish are easily adjustable in one-inch increments on pilasters.
CASTERS	Supplied with heavy-duty casters, (two with locks), threaded to weldnuts, secured to a steel base to ensure years of trouble free operation.
REFRIGERATION	ENERGY STAR® compliant self contained R134a refrigeration system features automatic defrost and forced air circulation for consistent top-to-bottom temperature control. Electronic system control with digital readout provides easy adjustment and has a door open alarm feature. Automatic condensate evaporator pan requires no plumbing.
ELECTRICAL	Standard as 115 volt, 60 hertz, single phase operation with 8 foot, three wire cord and NEMA 5-15P plug.
LISTINGS	cULus NSF International
WARRANTY	One-year parts and labor on materials and workmanship. Five-year warranty on compressor.

MODEL	LENGTH	DEPTH	HEIGHT	STORAGE CAPACITY	SHELVES	COMPRESSOR	AMPS	WEIGHT
SKBR1	27"	32.5"	82.5"	20.5 cu. ft.	3	1/4 hp	3.7	273 lbs
SKBR2	54"	32.5"	82.5"	44.7 cu. ft.	6	1/3 hp	7.0	405 lbs

Dimensions in inches and centimeters



Specifications subject to change without notice.



SILVER KING
WE'VE GOT REFRIGERATION DOWN COLD.™

1600 Xenium Lane North
Minneapolis, MN 55441-3787
Phone (763) 923-2441
Fax (763) 553-1209
www.silverking.com

#FNBRO9
© Silver King 2009
Printed in U.S.A.