



IM-23-HGP SERIES

Indoor Ice Merchandiser

MODEL
 IM-23-HGP

FEATURES

CONSTRUCTION

- Standard electronic controller with these features:
 - Tamper-proof control
 - Ability to monitor and adjust temperature set point within normal temperature range
 - Visual alarm
 - Eliminates room thermostat, defrost termination/fan delay control, defrost timer and digital thermometer or other temperature indicator
- 1³/₄" thick foamed-in-place "zero ODP" urethane insulation
- Equipped with standard LED lighting for greater energy efficiency
- Lighting is Design Light Consortium listed for potential energy rebates
- Adjustable leveling legs
- Compressor on/off switch

- Rear wall guard for efficient air circulation
- Heavy-duty welded wire bottom shelf
- Standard EC motor

DOOR

- Auto-close, triple pane heated glass door with hold-open feature
- Door size: 26" x 63¹/₂"
- White door frame
- Replaceable gaskets

REFRIGERATION

- Refrigerant: R-134A
- Self-contained, bottom mounted, factory tested refrigeration system
- Slide-out system for easy access
- Top mounted, low profile interior fan housing
- Temperature range: 20° to 25°F (-7° to -4°C)

WARRANTY

- **Standard limited two year parts and labor**
- **Additional three year coverage on compressor part**

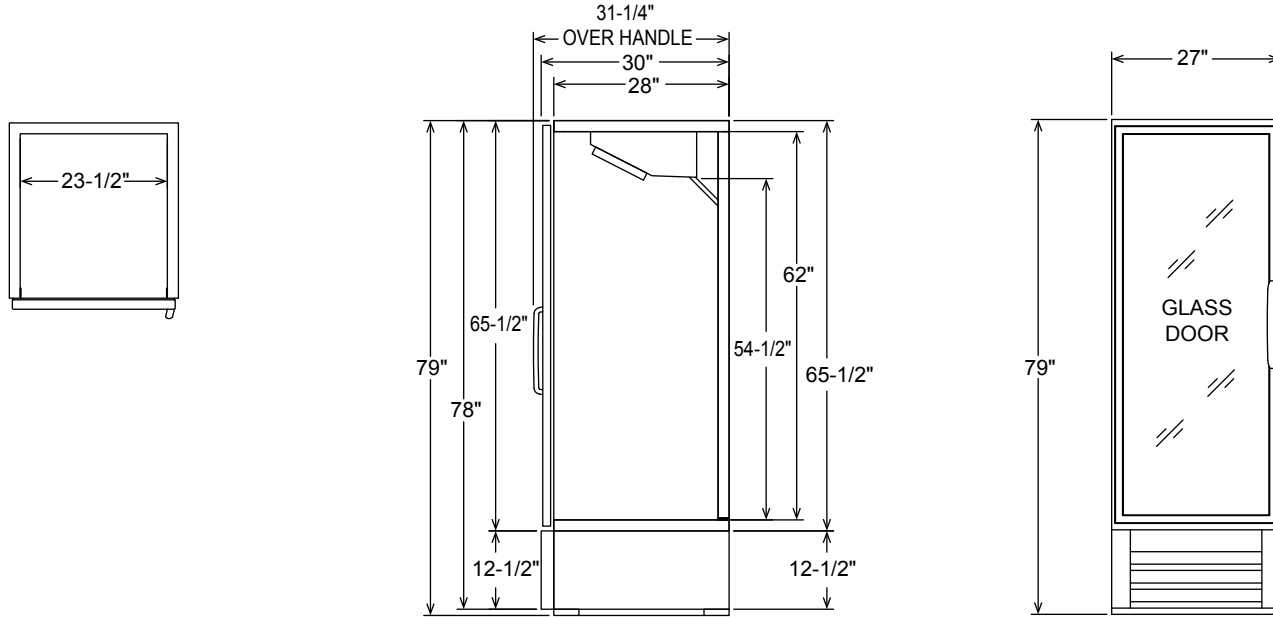


IM-23-HGP SERIES INDOOR ICE MERCHANDISER

TECHNICAL SPECIFICATIONS

MODEL	DIMENSIONS (in.)			DIMENSIONS (mm)			VOLTS	AMPS	UNIT H.P.	CAPACITY 8 LB. BAGS	SHIP CU. FT.	SHIP WT. (LB/KG)
	L	D*	H	L	D*	H						
IM-23-HGP	27	30	79	686	762	2007	115	6.9	1/3	60	79.0	360/164

*Does not include door handle.



PLAN VIEW

SIDE VIEW

ELEVATION VIEW

LISTINGS



HOOKUP

Via plug in, 9 foot long, flexible three wire 14/3 cord with molded plug.



BID SPECIFICATIONS

Item no. IM-23-HGP
Provide _____ ()
Indoor Ice Merchandiser(s), Master-Bilt®
model no. IM-23-HGP.

Merchandiser to be provided with an electronically controlled monitoring system.

Construction features include textured finish on interior and exterior, foamed-in-place "zero ODP" urethane insulation, and

interior DLS-listed LED lighting.

Other features will include EC fan motor, adjustable leveling legs, independent compressor on/off switch, a rear wall guard for efficient air circulation and a heavy-duty welded wire bottom shelf.

Merchandiser door will contain triple pane heated glass and will auto-close. Door will also have a hold-open feature.

Refrigeration system is to have a self-contained, bottom mounted condensing unit with R-134A refrigerant. Condensing unit will also slide out for easy access. The temperature range is to be 20° to 25°F (-7° to -4°C).

Merchandiser to have standard limited 2 year parts and labor with additional 3 year coverage on compressor part. Merchandiser to be UL, C-UL listed and UL-EPH classified.

NOTE: Cabinet designed for optimum performance in air-conditioned area at 75°F ambient and 55% relative humidity. All specifications subject to change without notice.



908 Highway 15 North • New Albany, MS 38652
PHONE: 800-647-1284 or 662-534-9061 • FAX: 800-232-3966 or 662-534-6049 • www.master-bilt.com

