



## IM SERIES

### Outdoor And Indoor Ice Merchandisers

#### OUTDOOR MODELS

- IM-38
- IM-60

#### INDOOR MODEL

- IM-45G

## FEATURES

### CONSTRUCTION

- 24 gauge steel panel construction with anti-sag support channels
- Galvanized steel inner liner
- Baked-on acrylic polyurethane lead-free enamel exterior finish
- Air circulation channels on all four walls
- Floor racks for uniform air circulation
- Top mounted sign
- 2 1/2" foamed-in-place "zero ODP" polyurethane insulation in walls, 3" base insulation
- Replaceable magnetic vinyl gaskets

- Bold product messages on sides and front
- Padlock storage provision on outdoor cabinets
- Interior lighting on indoor cabinets

### DOORS

- Outdoor cabinets only:
  - Weather shield above doors
  - Combination door handle and lockplate
  - Self-closing, textured metal access doors
- Indoor cabinet only:
  - Triple pane, self-closing tempered glass door
  - Easy-grip, sculptured door handle

### REFRIGERATION

- Refrigerant: R-404A
- Self-contained, top mount refrigeration system
- Temperature range: 20° to 25°F (-7° to -4°C)
- R-factor (insulation efficiency rating): 17.24
- Thermostatically-controlled, automatic condensate evaporator (indoor cabinet only)

### WARRANTY

- Standard limited one year parts and labor
- Additional four year coverage on compressor part

## OPTIONS

- Add suffix "-FS" to IM-45G for NSF listed model



# IM SERIES

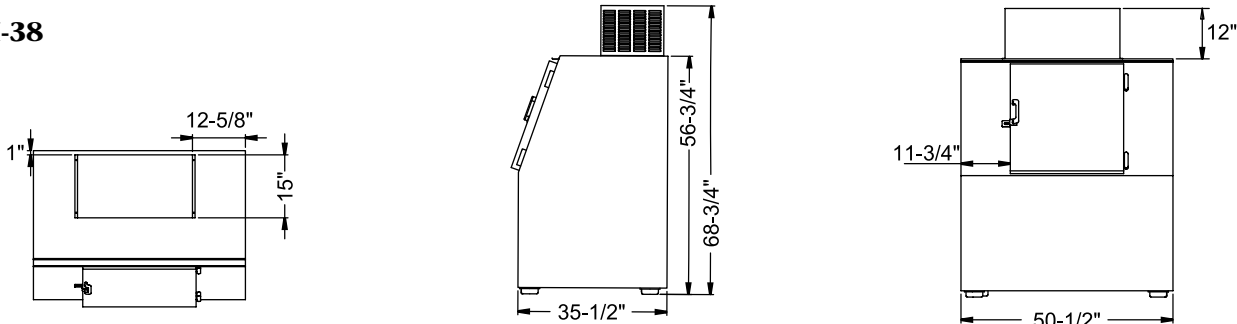
## INDOOR AND OUTDOOR ICE MERCHANDISERS

### TECHNICAL SPECIFICATIONS

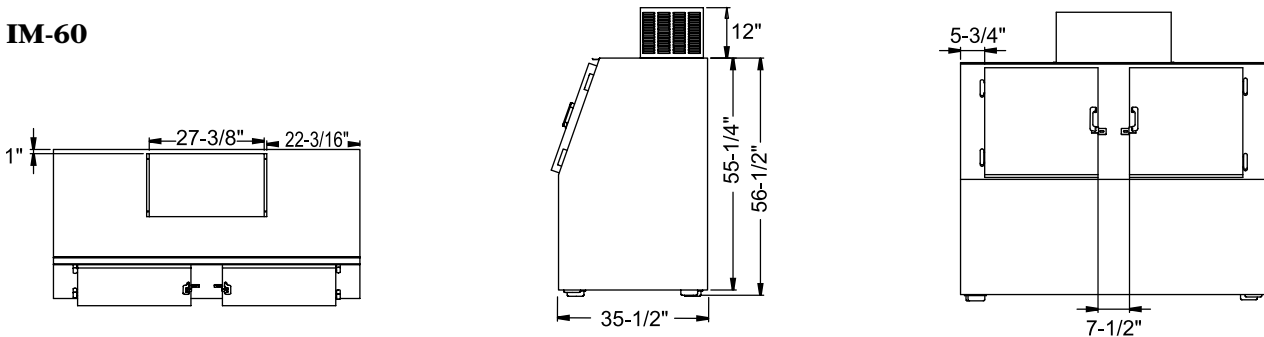
MODEL	DIMENSIONS (in.)			DIMENSIONS (mm)			VOLTS	AMPS	UNIT H.P.	CAPACITY 7 LB. BAGS	SHIP CU. FT.	SHIP WT. LB/KG
	L	D	H	L	D	H						
IM-38	50 <sup>1</sup> / <sub>2</sub>	35 <sup>1</sup> / <sub>2</sub>	68 <sup>1</sup> / <sub>2</sub>	1283	902	1740	115	7.2	1/3	130	88.6	345/157
IM-60	73	35 <sup>1</sup> / <sub>2</sub>	68 <sup>1</sup> / <sub>2</sub>	1854	902	1740	115	7.2	1/3	210	126.6	435/198
IM-45G*	50 <sup>1</sup> / <sub>2</sub>	30	76 <sup>1</sup> / <sub>2</sub>	1283	762	1943	115	8.3	1/3	160	92.4	405/184

\*Single glass door model for indoor use only.

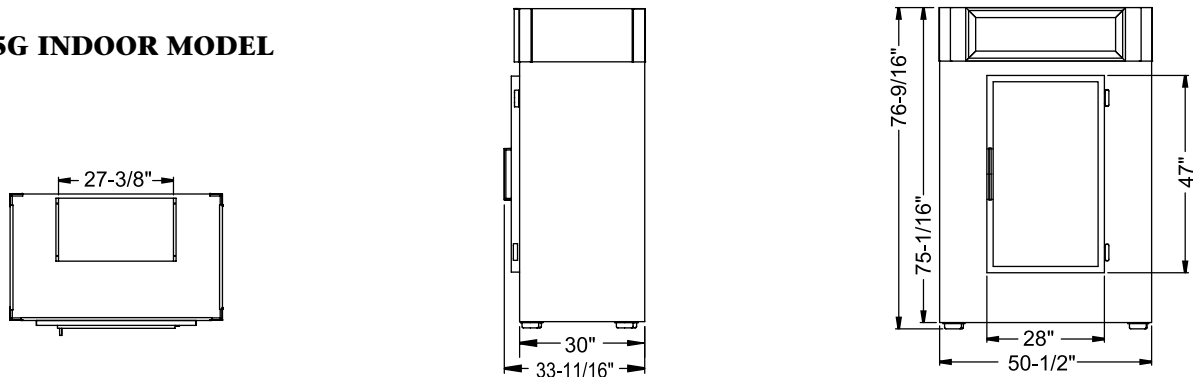
#### IM-38



#### IM-60



#### IM-45G INDOOR MODEL



PLAN VIEW

SIDE VIEW

ELEVATION VIEW



NOTE: All specifications subject to change without notice.



908 Highway 15 North • New Albany, MS 38652  
PHONE: 800-647-1284 or 662-534-9061 • FAX: 800-232-3966 or 662-534-6049 • www.master-bilt.com

