



**Assembly Instructions**

**for the**

**MagiGriddle Option**

**on MagiCater and MagiKitch'n**

**products**

**Retain this Manual for future reference**

**509 Route 3A  
Bow, NH 03304  
Voice (603) 225-6684  
Toll Free (800) 258-3708  
FAX (603) 225-8472  
WWW.MAGIKITCHN.COM**

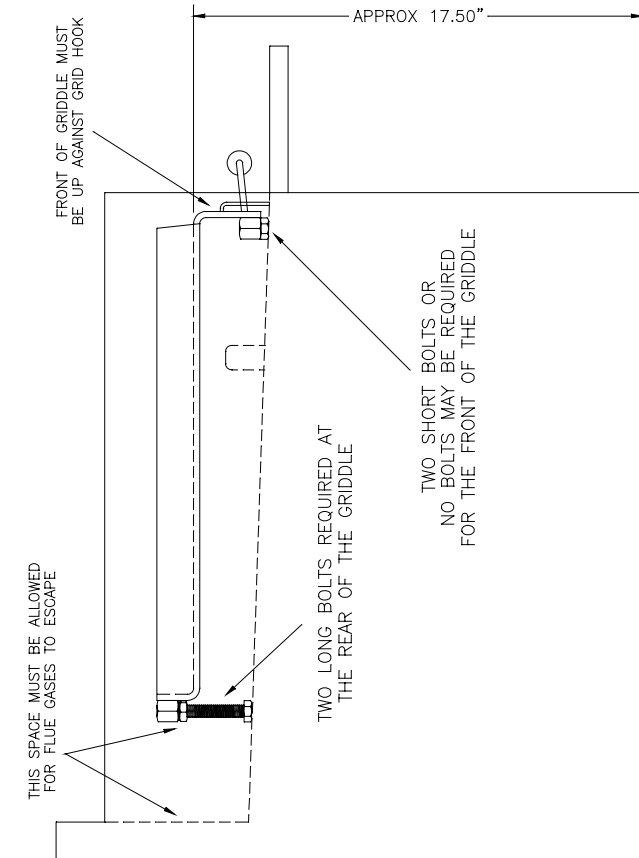
## Magigriddle Assembly Instructions

**For RMB, SMB and 600 Series grill models:** Refer to the drawing on page 2 when following these assembly instructions for your new Magigriddle. The griddle must be cool in order to work on it. Take the two long bolts (3-1/2 inch) and thread a nut onto each to about an inch from the end, and then place a lockwasher on each bolt. Thread these long bolt assemblies into the **rear** bolt holes of the griddle, but don't tighten them yet. There are some initial bolt adjustments shown on the drawing. Take two of the short (2 inch) bolts and place one lockwasher only on each, then thread them all the way into the **front** bolt holes of the griddle. The top (broiling) grid must be removed first before the Magigriddle will fit. Place the Magigriddle onto the COLD grill and place a torpedo level or short carpenter's level on the griddle surface. Adjust the long rear bolts until the griddle is perfectly level from front to back and from side to side (so that grease won't puddle at the back and cooking liquids won't spill over the front edge). When the adjustment is correct, remove the Magigriddle without disturbing the bolt adjustments and set it down. While holding the rear bolts with a wrench, tighten the jam nut and lockwasher to lock the adjustment in place. Place the Magigriddle onto the cold grill and pull it forward so it's against the front grid hooks. The open space at the back allows flue gases to escape.

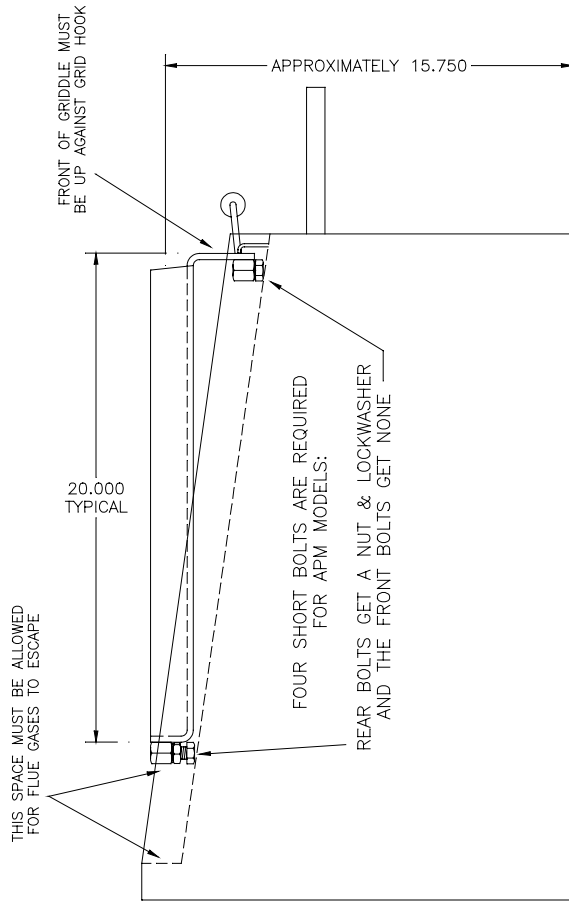
**For RMB-APM and SMB-APM models:** Refer to the drawing on page 2 when following these assembly instructions for your new Magigriddle. The griddle must be cool in order to work on it. Take two of the short (2 inch) bolts and thread a nut and then a lockwasher onto each. Thread these two bolts into the **rear** bolt holes of the Magigriddle so that the head of the adjusting bolt is about even with the bottom of the griddle (as shown on the drawing). Take the two remaining short bolts and thread them into the **front** bolt holes without any nut or lockwasher. The top (broiling) grid must be removed first before the Magigriddle will fit. Place the Magigriddle onto the COLD grill and place a torpedo level or short carpenter's level on the griddle surface. Adjust the long rear bolts until the griddle is perfectly level from front to back and from side to side (so that grease won't puddle at the back and cooking liquids won't spill over the front edge). When the adjustment is correct, remove the Magigriddle without disturbing the bolt adjustments and set it down. While holding the rear bolts with a wrench, tighten the jam nut and lockwasher to lock the adjustment in place. Place the Magigriddle onto the cold grill and pull it forward so it's against the front grid hooks. The open space at the back allows flue gases to escape.

**Cleaning and Seasoning:** Your new MagiGriddle is preserved with pure soybean oil shortening and wrapped in heavy plastic after manufacture. After removing all of the plastic wrapping, there are two popular methods to remove the preservative shortening. One method is to wash the griddle down with hot water and dishwashing detergent, rinse thoroughly in hot water and then dry the griddle immediately to avoid rust spots. The second method is to cook the shortening off on the charbroiler. When all the shortening is gone, the griddle should be allowed to cool to a temperature where it can be safely wiped down with a wet cloth or sponge until clean.

Lastly, you'll want to season the griddle as you would a good iron skillet or conventional griddle. The griddle is ready to begin cooking.



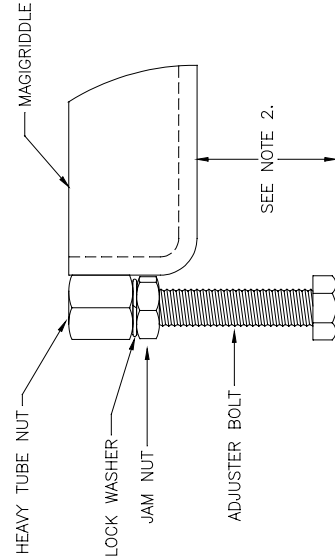
MAGRIDDLE LAYOUT FOR RMB, SMB and SERIES 600



MAGRIDDLE LAYOUT FOR SMB-APM AND RMB-APM

**INSTRUCTIONS:**

1. ADJUSTMENT REQUIRES TWO 3/4" WRENCHES.
2. HOLD ADJUSTER BOLT AND LOOSEN THE JAM NUT. TURN THE BOLT TO OBTAIN THE FOLLOWING ADJUSTMENTS FIRST:
  - 2 1/8 INCHES FOR RMB's
  - 1 3/4 INCHES FOR SMB's
  - ZERO INCHES FOR APM's
3. FINE ADJUST SO GRIDDLE IS PERFECTLY LEVEL, OTHERWISE LIQUIDS WILL SPILL OVER, THE FRONT OR GREASE WILL PUDDLE AT THE BACK OF THE GRIDDLE.
4. WHEN LEVEL AND STABLE, HOLD THE ADJUSTER BOLT IN PLACE WHILE TIGHTENING THE JAM NUT TO SECURE IT.
5. YOUR MAGRIDDLE IS SUPPLIED WITH THE CORRECT BOLTS FOR YOUR UNIT;
6. THE LONG BOLT IS 1/2-13 x 3-3/8", THE SHORT BOLT IS 1/2-13 x 2".



DETAIL - LEG ADJUSTMENT

08656-E1.WMF



**509 Route 3A  
Bow, NH 03304  
Voice (603) 225-6684  
Toll Free (800) 258-3708  
FAX (603) 225-8472  
WWW.MAGIKITCHN.COM**