



8" Center Wall Mount Pre-Rinse with Add On Faucet

Model: **17-109W**

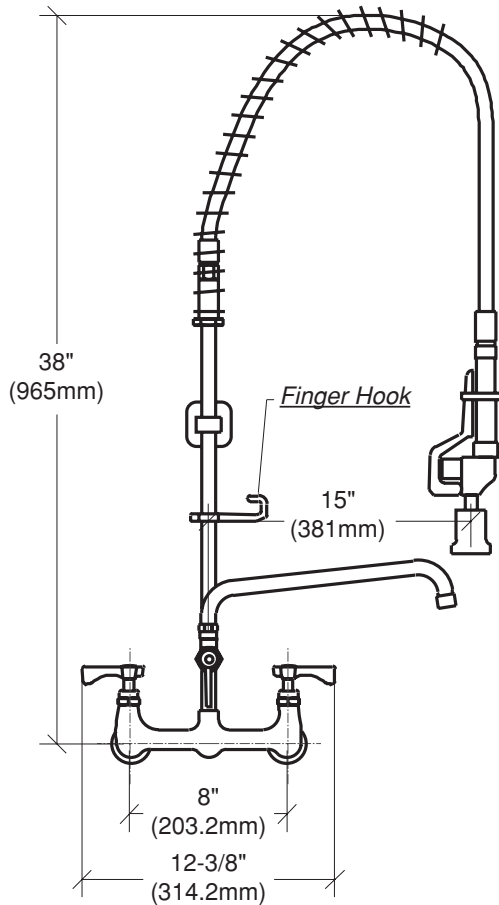
Item #: _____ Quantity: _____

Project: _____

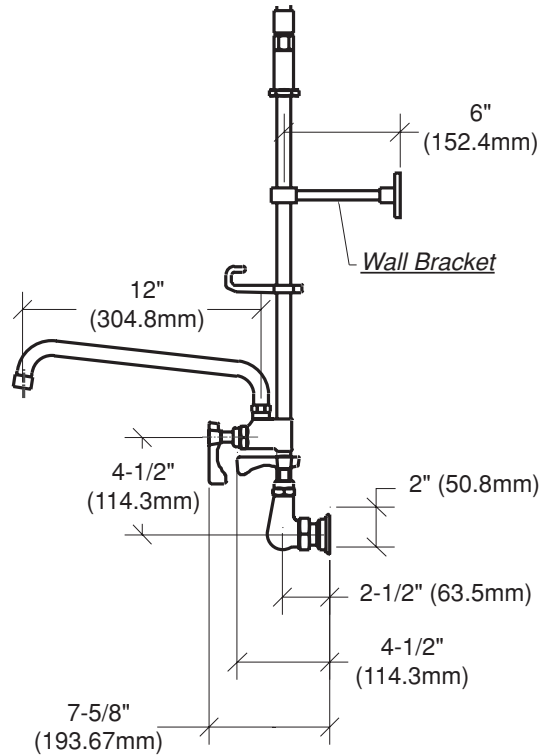


Plumbing

**QUICK
CONNECT**



Front View



Side View

FEATURES:

- 1/4 TURN HIGH PERFORMANCE CERAMIC CARTRIDGE VALVES WITH BUILT IN BACK FLOW PREVENTORS
- HEAVY DUTY FLANGES WITH ECCENTRIC FITTINGS FOR QUICK INSTALLATIONS
- MOUNTING KIT INCLUDED (1/2" NPT x 1 1/2" MALE NIPPLES WITH LOCK NUTS)
- PRE-ASSEMBLED AT FACTORY TO CUT INSTALLATION TIME
- 44" HEAVY DUTY STAINLESS CLAD FLEXIBLE HOSE. TESTED TO 400 PSI
- WALL BRACKET AND ADD-ON FAUCET WITH 12" SPOUT INCLUDED
- FULL REPLACEMENT PARTS AVAILABLE
- 1 YEAR WARRANTY

SPECS:

- 8" ON CENTER WALL MOUNT WITH 1/2" NPT FEMALE INLETS
- ROUGH IN: TWO 7/8" ROUND HOLES ON 8" CENTERS
- WATER SAVER SPRAY HEAD, 1.5 GPM @ 60 PSI FLOW RATE COMPLIES WITH EPACT 2005
- 3/8" NPT x 18" RISER PIPE WITH HOOK. PRE-ASSEMBLED TO BASE AT FACTORY
- TEMP RANGE: 40°F TO 180°F
- SHIPPING WEIGHT: 15 LBS

Approved By: _____



Due to our commitment to continued product improvement, specifications are subject to change without notice.