

CKDC Visi-Wide Series Cabinets

The CKDC VISI-Wide models are the newest addition to the Global Refrigeration product line.

A clean, sleek design, and multiple features added to the proven Kelvinator designs have created an aesthetically pleasing dipping cabinet/gelato case offering optimum display options for your ice cream products, while the equipment operation offers high performance levels that stand alone in the industry.

The additional 5-inch workspace at the rear of the cabinet greatly improves the convenience and efficiency of the employees using the equipment. The series offers optimum display area for ice cream products while operating at performance levels which decrease recovery time, running time thus decreasing energy cost. The 4½-inch lower front glass adds 75% more viewing area to additionally stimulate product sales..



FEATURES:

- Microprocessor digital controller with LED digital display
- LED lighting
- 4½-inch lower front glass increases product viewing area by 75%
- Tempered glass lids
- Improved performance, reliability, efficiency and quieter operation
- Energy Star compliant
- Manual Defrost

- Additional 5-inch stainless-steel service work area
- Temperature range +10°F to -15°F

OPTIONS:

- Can skirt kits
- Caster kits
- Dipperwell kit
- Gelato pan rack kits (pans not included)
- Frost Shield Kits
- Leg kits

formerly
Kelvinator

Project:

Quantity:

Item#:

Model Specified:

Approval: _____

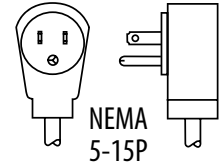
CKDC VISI-WIDE SERIES

TECHNICAL DATA

MODEL	CKDC-47W	CKDC-67W	CKDC-87W
Temp Range	+10°F to -15°F	+10°F to -15°F	+10°F to -15°F
Exterior Dimensions			
Length	46.5"	67"	88"
Depth	29.25"	29.25"	29.25"
Height	52.12"	52.12"	52.12"
Capacity (cu. ft.)	9.1	19.1	26.4
Capacity (3-gal. tubs)	12	20	28
Facings (3-gal. tubs)	8	12	16
Storage (3-gal. tubs)	4	8	12
Shipping Weight	565 lbs.	712 lbs.	712 lbs.
Lighting	LED	LED	LED
Temp Control	Digital	Digital	Digital
Electrical	115/60/1	115/60/1	115/60/1
Rated Amps	11.5	11.5	12.5
Electrical Information	NEMA 5-15P	NEMA 5-15P	NEMA 5-15P

SPECIFICATIONS

ELECTRICAL CONNECTION

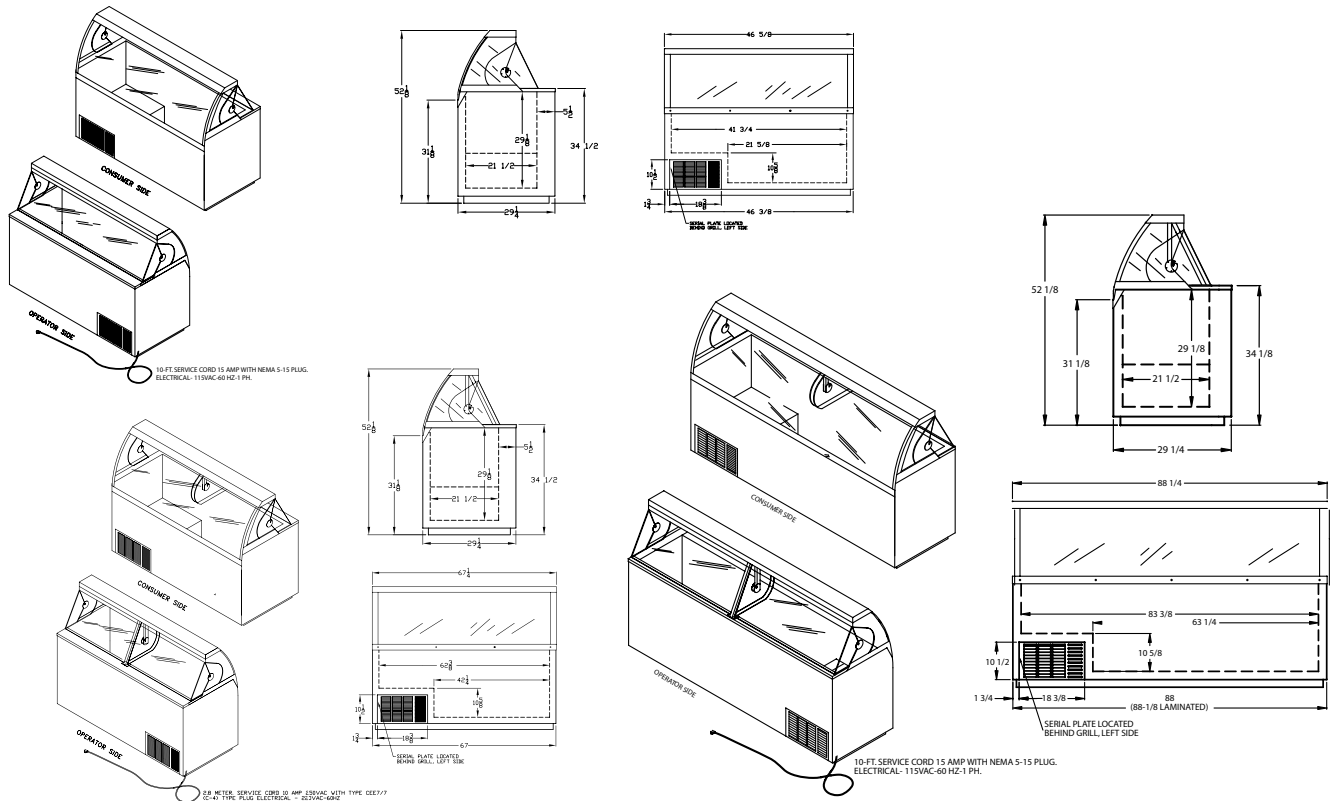


Item CKDC47,67,87V-Wide

Furnish () quantity, VisiDipper Wide Ice Cream Dipping Cabinets, Global model CKDC47V-Wide, CKDC67V-Wide, or CKDC87V-Wide. The unit construction shall consist of a 20-ga. white powder-coat finish galvanized steel interior & exterior, foamed in place.

Cabinets as specified to use R-404a refrigerant. Refrigeration control shall be digital thermostatic with a temperature range of +10°F to -15°F. Cabinet to have independent on/off switch for compressor and light switch mounted in the shell of the cabinet and to be furnished with a drain connection. Cabinet to be provided as a rear intake and front air discharge.

Cabinet to be UL, C-UL and NSF listed.



Global Refrigeration, Inc., reserves the right to change specifications, terms, and prices without notice.

Global Refrigeration, INC.