

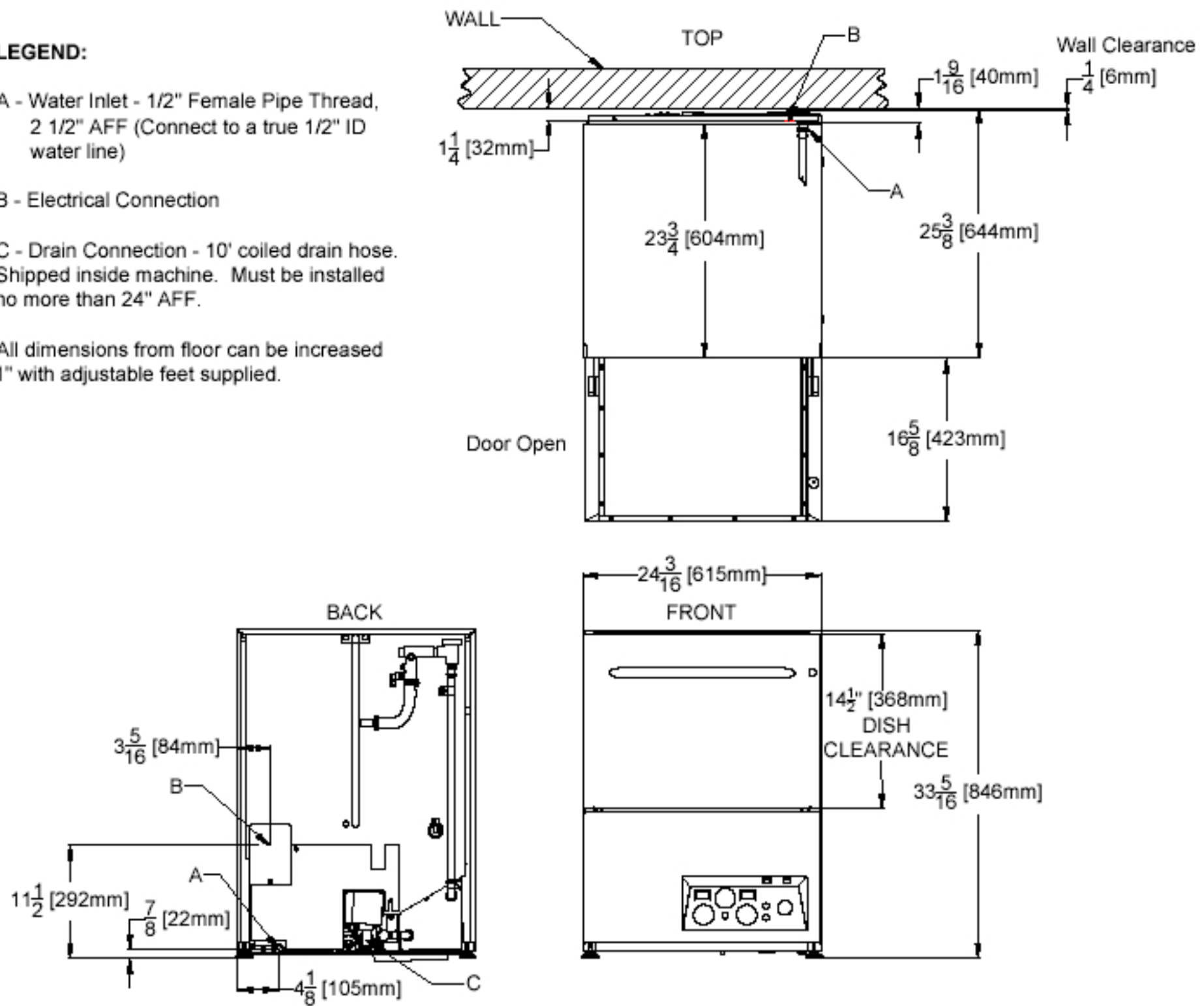
LEGEND:

A - Water Inlet - 1/2" Female Pipe Thread, 2 1/2" AFF (Connect to a true 1/2" ID water line)

B - Electrical Connection

C - Drain Connection - 10' coiled drain hose. Shipped inside machine. Must be installed no more than 24" AFF.

All dimensions from floor can be increased 1" with adjustable feet supplied.



MACHINE DIMENSIONS

INSIDE CLEARANCE HEIGHT	INSIDE CLEARANCE WIDTH	INSIDE CLEARANCE DEPTH	DOOR OPEN DEPTH	WALL CLEARANCE (MINIMUM)
14-1/2 (368 mm)	20" (508 mm)	20" (508 mm)	42" (1067 mm)	1/4" (6 mm)

SHIPPING DIMENSIONS

WEIGHT	CLASS	CUBE	HEIGHT	WIDTH	DEPTH
248 lbs (112kg)	92.5	19.8 cu. ft.	38" (965 mm)	30" (762 mm)	30" (762 mm)

APPROXIMATE TOTAL LOAD AMPS

208/60/1	38.8
230/60/1	42.3

ELECTRICAL REQUIREMENTS

Wash pump HP	3/4
--------------	-----

WATER REQUIREMENTS

Gallons per rack	1.1 gal 4.2 liters
Gallons per hour	26.4 gal 99.9 liters
Flow pressure (PSI)	15 - 25
Waterline size (IPS)	1/2
Drainline size OD	1 3/8

OPERATING CAPACITY

Racks per hour	24
Dishes per hour	600
Glasses per hour	864

OPERATING CYCLE

Wash cycle (Seconds)	82
Drain time (Seconds)	28
Rinse time (Seconds)	10
Total cycle (Seconds)	120

OPERATING TEMPERATURES

Wash	150° F / 65.6° C
Rinse	180° F / 82.2° C