



STORAGE BINS



Features

- Application storage capacity from 242 lbs (110 kg) to 1807 lbs (821 kg).
- Ultra-low profile – 28" (711 mm) to 66" (1676 mm) tall.
- Multiple bin tops provide an easy solution for mounting ice makers on different sized bins.
- Polyethylene bin liner is insulated with foam for maximum ice preservation – 1.5" to 3" (38 mm to 76 mm).
- Perfect-fit seal for improved ice preservation.
- Rugged, fingerprint-proof door.
- Built-in ice scoop holders on certain models.
- Sturdy leg design – 6" (152 mm) adjustable NSF approved legs – standard.
- Durable stainless finish.
- Corrosion-proof bin liner.

Ordering and Specification Information – Required Bin Top

Bin Model No.	App. Storage Rating	ARI Bin Storage lbs (kgs)	Approximate Shipping Weight lbs (kgs)	ICE Series™ Cube Ice Makers			Pearl Ice Makers	Flake Ice Makers	
				22" (559 mm) wide	30" (762 mm) wide	48" (1219 mm) wide	21" (533 mm) wide	21" (533 mm) wide	42" (1067 mm) wide
B25PP*	242 (110)	190 (86)	74 (34)	KBT19	●●	N/A	KBT19	KBT19	N/A
B4OPS	344 (156)	270 (123)	120 (54)	KBT19	●●	N/A	KBT19	KBT19	N/A
B42PS	351 (160)	275 (125)	128 (58)	●●	N/A	N/A	KBT24	KBT24	N/A
B55PS	510 (232)	400 (182)	148 (67)	KBT19	●●	N/A	KBT19	KBT19	N/A
B70-30	741 (336)	581 (264)	240 (109)	N/A	●●	N/A	N/A	N/A	N/A
B70-1506	741 (336)	581 (264)	240 (109)	N/A	●●	N/A	N/A	N/A	N/A
B90-30	1023 (464)	802 (364)	285 (129)	N/A	●●	N/A	N/A	N/A	N/A
B90-1506	1023 (464)	802 (364)	285 (129)	N/A	●●	N/A	N/A	N/A	N/A
B10OPS	854 (388)	670 (304)	191 (87)	N/A	KBT5	●●	KBT23	KBT23	KBT26
B12OSP/SS	1142 (519)	896 (407)	304 (138)	N/A	●●**	KBT44	N/A	●●	●●
B13OSP	1457 (661)	1144 (404)	340 (151)	N/A	●●**	KBT44	N/A	●●	●●
B15OSP/SS	1447 (658)	1135 (515)	338 (153)	N/A	●●**	KBT44	N/A	●●	●●
B17OSP/SS	1807 (821)	1417 (643)	390 (177)	N/A	●●**	KBT44	N/A	●●	●●

●● Kit not required. Hold down securement recommended.

Bin Height includes 6" (423 mm) legs. All bins have polyethylene liners.

*Rotocast finish

**ICE1506 is compatible with B120, B130, B150 and B170 using at KBT43



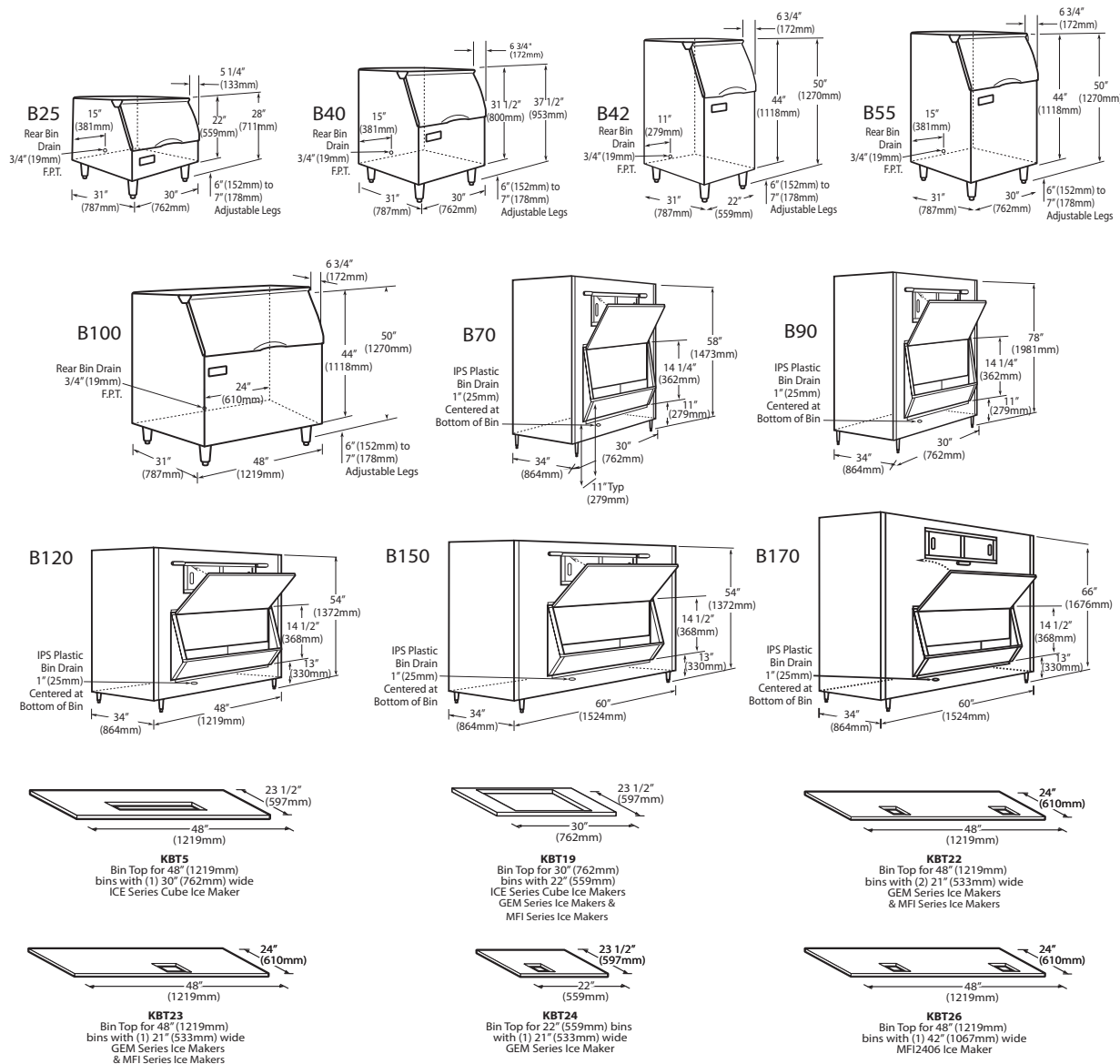


STORAGE BINS



STORAGE BINS

Dimensions



NOTES:

Approx. Shipping Weight lbs (kg): B100 191 (87 kg) • B120 304 (138 kg) • B130 334 (152 kg) • B150 338 (153 kg) • B170 390 (177 kg)
B25 95 (43 kg) • B40 135 (61 kg) • B42 135 (61 kg) • B55 170 (77 kg) • B70 240 (109 kg) • B90 285 (129 kg)