

ITEM # _____

MODEL # _____

PROJECT NAME # _____

SIS # _____

AIA # _____



Greens Machine Series VP-3 – 20 gal. Vegetable Dryer

601560 (VP-3) VP-3 20 gal. Polyethylene Dryer
115 V/1p/60Hz

Short Form Specification

Item No. _____

Unit to be Electrolux Dito VP-3 – 20 gal. Vegetable Dryer. Electrical characteristics to be 115 V SINGLE-phase operation with Single speed at 406 rpm. Heavy duty polyethylene body with an ergonomic design for easy use and cleanability.

Main features

- Easy to Reach Control Knob with adjustable ON/OFF 5 minute timer.
- Easy Lock Casters
- Easy Cleaning
- Easy to load Polyethylene Inner Basket with Handle Grips
- Sturdy Polyethylene base totally sealed
- Balanced Stainless steel driver, easy to remove for cleaning
- Polyethylene Tub & Lid Dimensions:
 - Height: 32.5"
 - Diameter: 27"
- Shipping Weight: 60 lbs.
- Space Required: 26.5" wide
- Built in water drain reservoir.
- Inner Liner Capacity: 20 gal./18 lbs.
 - Height: 17"
 - Diameter: 15.68"
- ETL electrical and sanitation listed.
- NEMA # : 5-15P with 8' cord.
- 2 year parts warranty, 1 year labor.

Optional Accessories

- Extra inner liner (PNC 653626)
- Polyethylene lid (PNC 653627)
- White polyethylene inner lid (PNC 653629)
- White polyethylene inner liner (PNC 653630)



NEMA #: 5-15P

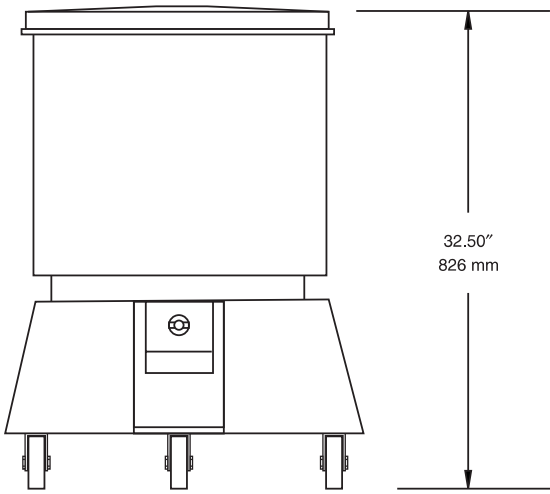
Approval: _____

Electric

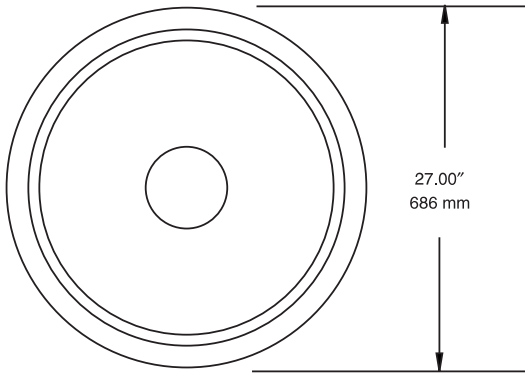
Supply voltage:
601560 (VP3)

115 V/1p/60Hz - 2.7A

Front View



Top View



Side View

