

PROJECT \_\_\_\_\_

QTY. \_\_\_\_\_ ITEM NO \_\_\_\_\_



*Reaching New Heights*

Date Modified 6/2/08

# Two Door Sandwich Preparation Unit



**JSP-6016**  
60.0" wide, 15 cu.ft.

***Stainless steel interior & exterior standard!***  
***Front breathing!***  
***The most durable condiment lid in the industry!***

**STANDARD FEATURES:**

- Front Breathing
- Thermostatic Control
- Stainless Steel Catch Tray under pans
- CFC-free R-134a Refrigerant
- 2 Vinyl-Coated Wire Shelf
- 5" Casters Included
- Reinforced Door Hinges
- Fully Covered Interior Corners
- Self-Contained Rear Mounted Refrigeration System
- 2.5" Thick Foamed-in-place Polyurethane Insulation
- Fully-Recessed Door Handles
- Automatic Door Closure with 90° Hold Open Feature
- Evaporative Hot Gas Condensate Pan
- Snap-In Magnetic Door Gasket
- Assembled in USA

**MATERIALS:**

**INTERIOR:** Stainless steel interior walls, floor, and ceiling.  
Vinyl-coated wire shelves.

**EXTERIOR:** Stainless steel worktop.  
Stainless steel sides and doors.



ISO 17025:2005 Certified

**DIMENSIONAL DATA**

| Model No. | L     | D     | H     | Cu.Ft. | Lids | Pans | H/P | Volt     | Amp. | NEMA  | Shipping Wt. |
|-----------|-------|-------|-------|--------|------|------|-----|----------|------|-------|--------------|
| JSP-6016  | 60.0" | 29.5" | 42.7" | 15     | 2    | 16   | 1/2 | 115/60/1 | 8.9  | 5-15P | 405          |



## Sandwich Prep Unit JSP-6016

Description: Two solid door sandwich prep unit, 16 cu. ft

### Features & Benefits

**Stainless steel interior and exterior** for greater durability, construction and appearance.

Self-contained **rear-mounted refrigeration** with high humidity coated fin coil evaporator.

- Holds 33° F to 41° F for refrigerator

2.5" thick, foamed-in-place polyurethane high density insulation.

**16 poly-carbonate, 1/6 size pans.**

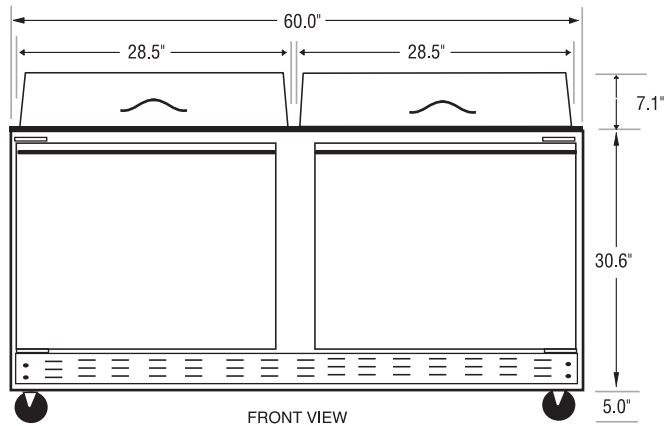
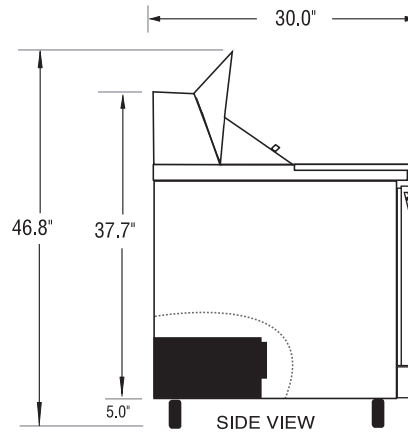
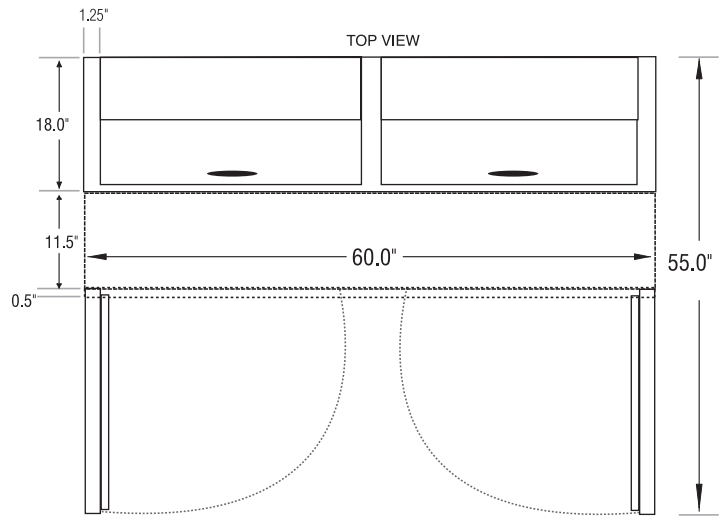
**5" casters included**- for easy mobility and installation.

**Twelve inch full length removable cutting board.**

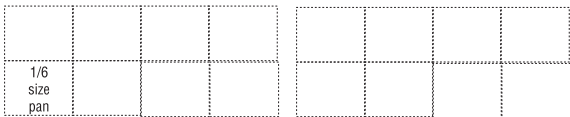
Stainless steel top.

**Reinforced hinges and self-closing doors** with 90 degree hold-open feature and fully-recessed handles.

Hot gas evaporative condensate pan - no floor drain required!



### PAN CONFIGURATION



NEMA 5-15P plug  
5-15R receptacle required

### FACTORY OPTIONS

| Suffix 1 | Suffix 2 | Description     | Add to List |
|----------|----------|-----------------|-------------|
| -4D      |          | 4 Drawers       | \$2500      |
| -2D      |          | 2 Drawers       | \$1250      |
|          | -L       | Left 2 drawers  |             |
|          | -R       | Right 2 drawers |             |

### General Information

**Cubic Ft.:** 15

**Shelf Size:** 17.5" x 22.9"

**Pans:** 16

**#Lids:** 2

**Exterior:** Stainless

**Unit Weight:** 375 lbs.

**Interior:** Stainless

**Ship Weight:** 405 lbs.

### Technical Data

**Refrigerant:** R-134a

**Volts:** 115

**Start Amps:** 10.8

**#Compressors:** 1

**Run Amps:** 8.9

**Cord Length:** 82 in.

**Horsepower:** 1/2