

PROJECT _____

QTY. _____ ITEM NO _____



Reaching New Heights

Date Modified 6/2/08

Two Door Sandwich Preparation Unit



JSP-4812
48.0" wide, 12 cu.ft.

Stainless steel interior & exterior standard!
Front breathing!
The most durable condiment lid in the industry!

STANDARD FEATURES:

- Front Breathing
- Thermostatic Control
- Stainless Steel Catch Tray under pans
- CFC-free R-134a Refrigerant
- 2 Vinyl-Coated Wire Shelves
- 5" Casters Included
- Reinforced Door Hinges
- Fully Coved Interior Corners
- Self-Contained Rear Mounted Refrigeration System
- 2.5" Thick Foamed-in-place Polyurethane Insulation
- Fully-Recessed Door Handles
- Automatic Door Closure with 90° Hold Open Feature
- Evaporative Hot Gas Condensate Pan
- Snap-In Magnetic Door Gasket
- Assembled in USA

MATERIALS:

INTERIOR: Stainless steel interior walls, floor, and ceiling.
Vinyl-coated wire shelves.

EXTERIOR: Stainless steel worktop.
Stainless steel sides and doors.



NSF/ANSI Standard 7



ACCREDITED
ISO 17025:2005 Certified

DIMENSIONAL DATA

Model No.	L	D	H	Cu.Ft.	Lids	Pans	H/P	Volt	Amp.	NEMA	Shipping Wt.
JSP-4812	48.0"	29.5"	42.7"	12	1	12	1/3	115/60/1	8.2	5-15P	360



ASCEND®

Sandwich Prep Unit

JSP-4812

Description: Two solid door sandwich prep unit, 12 cu. ft

Features & Benefits

Stainless steel interior and exterior for greater durability, construction and appearance.

Self-contained **rear-mounted refrigeration** with high humidity coated fin coil evaporator.

- Holds 33° F to 41° F for refrigerator

2.5" thick, foamed-in-place polyurethane high density insulation.

12 poly-carbonate, 1/6 size pans.

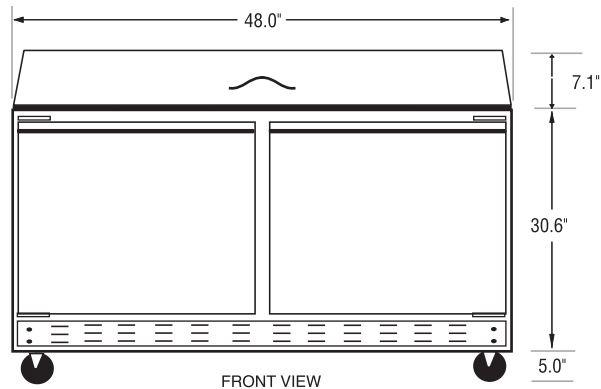
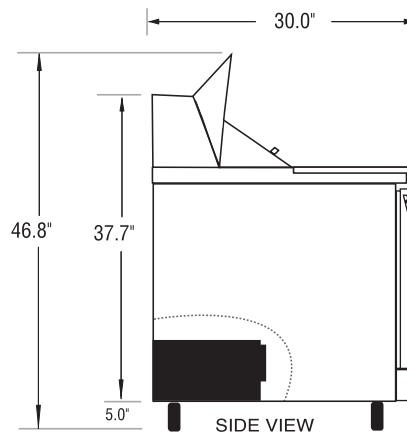
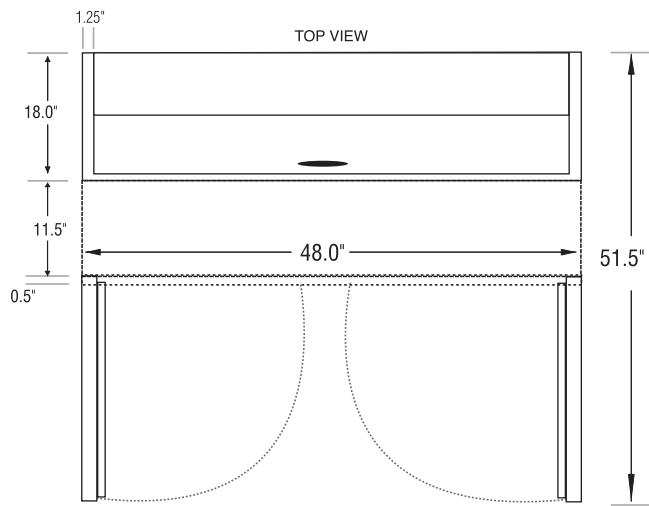
5" casters included- for easy mobility and installation.

Twelve inch full length removable cutting board.

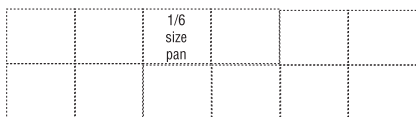
Stainless steel top.

Reinforced hinges and self-closing doors with 90 degree hold-open feature and fully-recessed handles.

Hot gas evaporative condensate pan - no floor drain required!



PAN CONFIGURATION



NEMA 5-15P plug
5-15R receptacle required

FACTORY OPTIONS

Suffix 1	Suffix 2	Description	Add to List
-4D		4 Drawers	\$2500
-2D		2 Drawers	\$1250
	-L	Left 2 drawers	
	-R	Right 2 drawers	

General Information

Cubic Ft.: 12

Shelf Size: 17.5" x 22.9"

Pans: 12

#Lids: 1

Exterior: Stainless

Unit Weight: 300 lbs.

Interior: Stainless

Ship Weight: 340 lbs.

Technical Data

Refrigerant: R-134a

Volts: 115

Start Amps: 9.4

#Compressors: 1

Run Amps: 8.2

Cord Length: 82 in.

Horsepower: 1/3

SPECIFICATIONS SUBJECT TO CHANGE WITHOUT NOTICE