

Date Modified 7/09/09

One Door Pizza Preparation Unit

JPP-4406
10 cu. ft., 6 pans



Standard Features

- Side-mounted Compressor and Evaporative Coil
- 2.5" thick Foamed-In-Place Polyurethane Insulation
- Hot Gas Evaporative Condensate Pan
- CFC-free R-134a Refrigerant
- Fully Covered Interior Corners
- Reinforced Door Hinges
- Recessed Door Handles
- Snap-in Magnetic Door Gaskets
- Assembled in the USA

Materials

- INTERIOR: Stainless steel interior walls, floor and ceiling
Vinyl-coated wire shelves
- EXTERIOR: Stainless steel sides and doors



NSF/ANSI Standard 7

GENERAL INFORMATION

Dimensions: 44.5" (W) x 31.25" (D) x 43.5" (H)

Cubic Ft.: 10

Doors: 1

Shelves: 1

Shelf Size: 22.25" x 24.25"

Unit Weight: 340 lbs.

Ship Weight: 375 lbs.

TECHNICAL DATA

Refrigerant: R-134A

Start Amps: 6.6

Run Amps: 5.2

Horsepower: 1/4

Volts: 115

#Compressors: 1



For the most current specifications, visit our Website @ www.ASCENDmfg.com
1575 Zephyr Ave, Hayward, CA 94544 (800) 314-4477 (510) 477-3400 Fax: (510) 477-3412

©Copyright 2008. ASCEND is a registered trademark of Jimex Corporation.



JPP-4406

One Door Pizza Preparation Unit

FEATURES & BENEFITS

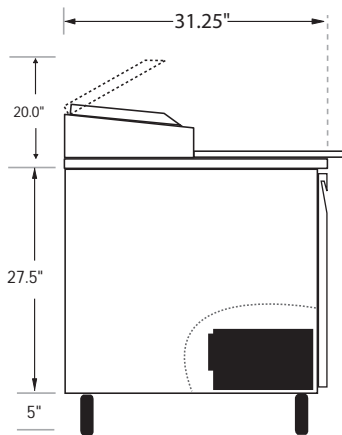
- Stainless steel interior & exterior
- Forced air system with no need for defrost
- Recessed door handles
- Stainless steel catch tray
- 1" insulated condiment lid
- Reinforced door hinges
- Side-mounted compressor and evaporator coil
- Slide out refrigeration system for quick service
- CFC-free R-134a refrigerant
- 2.5" thick foamed-in-place polyurethane insulation
- 1 vinyl-coated wire shelves per door
- Hot gas evaporative condensate pan
- Fully coved interior corners
- 5" casters included
- Clear, 4" deep polycarbonate pans included
- Automatic door closure with 90° hold open feature
- Snap-in magnetic door gaskets
- 18" removable cutting board included

ELECTRICAL PLUG

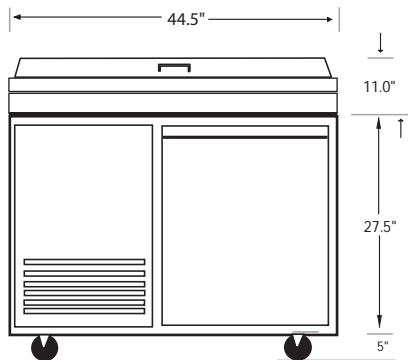


NEMA 5-15P plug
5-15R receptacle
required

DIMENSIONAL INFORMATION



SIDE VIEW



FRONT VIEW

MATERIALS

- INTERIOR: Stainless steel interior walls, floor, and ceiling
Vinyl-coated wire shelves
- EXTERIOR: Stainless steel sides and doors

