



Reaching New Heights

Two Full Door Refrigerator



JFD-48R
48 cu.ft., 2 section

Stainless steel interior & exterior standard!
Fully-recessed door handles!
Slide shelving system!
Exterior digital temperature controls!

STANDARD FEATURES:

- Fully Recessed Door Handles
- Self-Contained Bottom Mounted Refrigeration System
- 6 Epoxy-Coated Wire Shelves
- 5" Casters Installed
- Door Locks
- Reinforced Door Hinges
- CFC-free R-134a Refrigerant
- Evaporative Hot Gas Condensate Pan
- Fully Coved Interior Corners
- Automatic Door Closure with 90° Hold Open Feature
- Slide Shelving System
- 2.5" Thick Foamed-in-place Polyurethane Insulation
- Exterior Digital Temperature Control
- Snap-In Magnetic Door Gaskets
- Made in USA from imported parts

MATERIALS:

INTERIOR: Stainless steel interior walls, floor, and ceiling.
Epoxy-coated wire shelves.

EXTERIOR: Stainless steel sides and doors



ISO 17025:2005 Certified

DIMENSIONAL DATA:

Model No.	L	D	H	Cu.Ft.	Shelves	H/P	Volt	Amp.	NEMA	Ship Wt.
JFD-48R	53.5	32.0	81.8	48	6	1/2	115/60/1	8.9	5-15P	470



Solid Door Refrigerator

JFD-48R

Description: Two solid full door refrigerator, 48 cu. ft

Features & Benefits

Stainless steel interior and exterior for greater durability, construction and appearance.

Self-contained bottom mounted refrigeration system and high humidity coated **fin coil** evaporator.

- Holds 30° F to 45° F as refrigerator

Exterior LED temperature display with digital controls. **Temperature setting is easy, fast and accurate.**

Micro-controller with adjustable temperature variance, automatic defrost intervals, setpoint limits, and parameter locking functions.

2.5" thick, foamed-in-place polyurethane high density insulation.

6 adjustable epoxy-coated steel wire shelves. Built-in tray slides to accommodate shelves (standard) or 18"x26" sheet pans (optional).

5" casters standard. **Easy mobility and installation.**

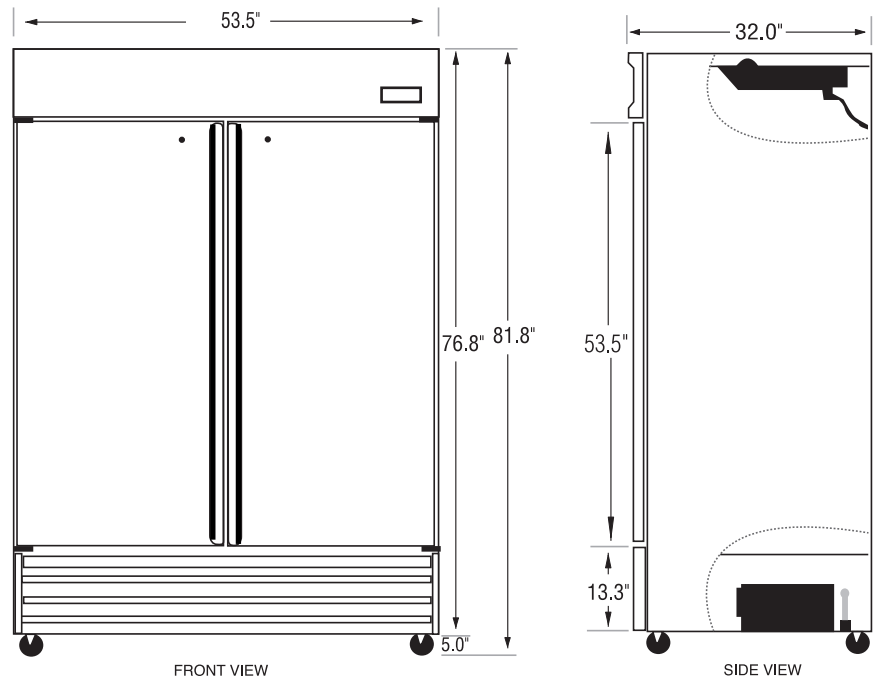
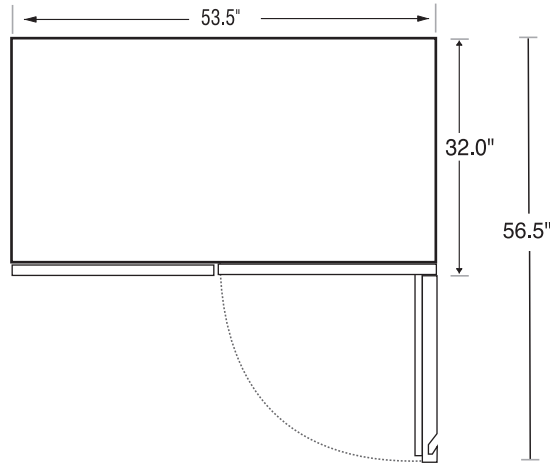
Heavy-duty overall construction for high-volume, constant duty operation.

Self-closing door with 90° hold open feature.

Door locks standard.

Door handle gaskets for ease of use.

Hot gas condensate - **no floor drain required!**



FRONT VIEW

SIDE VIEW

OPTIONS

- | | | |
|--------------------------|----------------------------|------------|
| <input type="checkbox"/> | Extra Interior Shelves | Qty. _____ |
| <input type="checkbox"/> | Extra Shelf Slide Brackets | Qty. _____ |
| <input type="checkbox"/> | Tray Slide Brackets | Qty. _____ |

General Information

Cubic Ft.: 48

Shelf Size: 25.0" x 20.75"

Doors: 2

Unit Weight: 440 lbs.

Exterior: Stainless

Ship Weight: 470 lbs.

Interior: Stainless

Technical Data

Refrigerant: R-134a

Volts: 115

Start Amps: 11.6

#Compressors: 1

Run Amps: 8.9

Cord Length: 82 in.

Horsepower: 1/2

SPECIFICATIONS SUBJECT TO CHANGE WITHOUT NOTICE