



CHEMICAL SANITIZING SINGLE RACK STRAIGHT DISHWASHER

AH

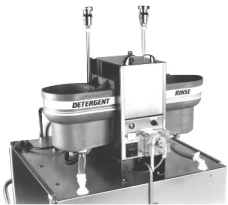
Low Temperature
Straight Dishwasher



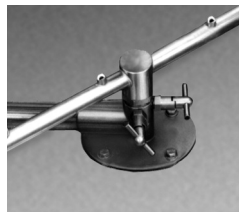
FEATURES

- 40 racks / 160 covers per hour.
- All stainless steel construction assures long life and years of trouble free operation.
- Unique spray arm system features upper and lower stainless steel wash arms with reinforced end caps.
- Top mounted controls include built-in chemical pumps and deliming system that assures proper chemical usage.
- Auto start/stop makes operation safe and easy.
- Integrated scrap tray prevents food soil from entering drain system.
- Water inlet comes with built-in strainer, prevents debris from clogging the water valve.
- Dishmachine comes with 2 dishracks.
- Stainless steel impeller offers extended life and service.
- Stainless Steel scrap tray, long lasting.

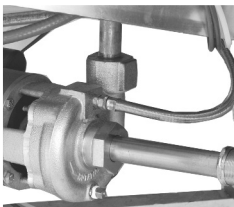
CMA MODEL: AH



Solid/Powder Dual Bowl
Option Dispenser. Bowl
option available for capsule
dispensed products.



Unique pull-pin design
allows wash arms to be
easily removed for cleaning.



Pump purging system
improves results by
eliminating soil and
chemical carryover during
rinse cycle.

AVAILABLE OPTIONS

- Temp-Sure heater assures a continuous supply of 140°F hot water that guarantees excellent results. Requires a separate 208-240V 3 phase 40 amp power supply.
- Low Chemical Alarm
- Stainless Steel Dishtables
- Alternative Cycle Times
- Alternative Electrical Available
- Slant shelf 21"X42"
- Stainless Steel Scrap Trap in lieu of Poly Pro

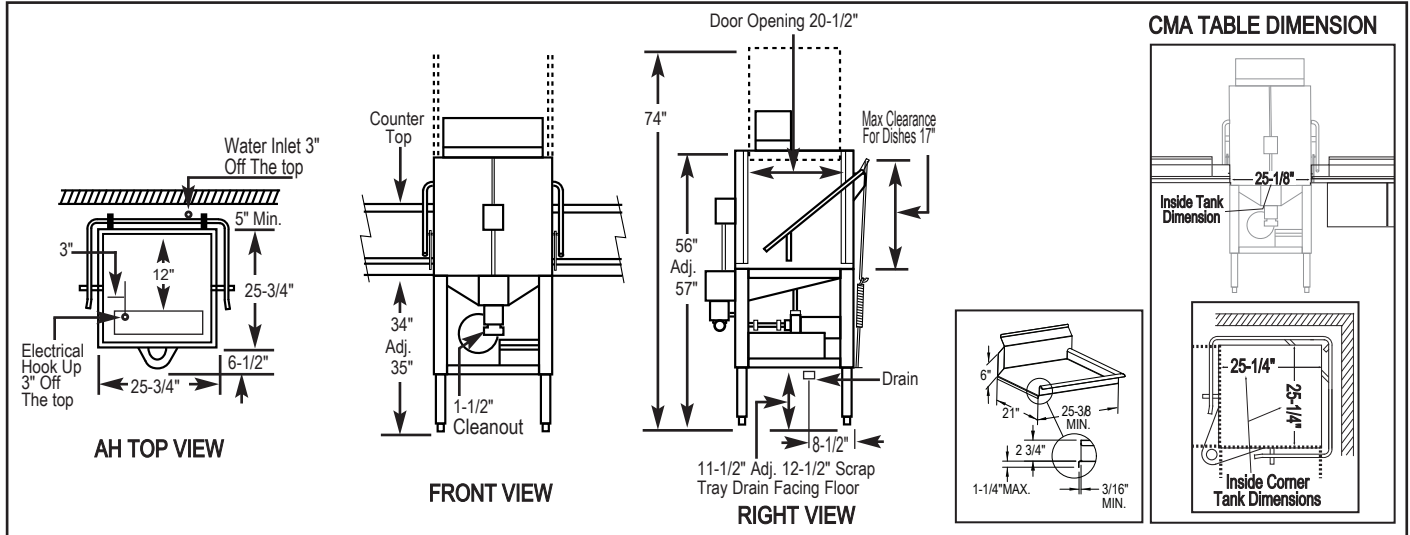




AH
Chemical Sanitizing
Single Rack
Straight Dishwasher

WARNINGS:

- Electrical and Plumbing connections must be made by a qualified service company who will comply with all available Federal, State, and Local Health, Electrical, Plumbing and Safety codes.
- CMA recommends utilizing a water softening system to maintain water hardness measurements of 3.5 gpg (grains per gallon) or less. This will assure maximum results and optimum operation of the dishwasher.



Specifications:

MODEL AH	USA	METRIC	USA	METRIC
OPERATING CAPACITY RACKS PER HOUR (NSF RATED)	40	40	WASH PUMP MOTORS HP	1
OPERATING CYCLE WASH TIME-SEC	45	45	DIMENSIONS DEPTH	25-3/4" (65.4cm)
RINSE TIME-SEC	30	30	WIDTH (OUTSIDE DIMENSION)	25-3/4" (65.4cm)
DWELL TIME-SEC	15	15	HEIGHT	56"-57" (142.2cm-144.8cm)
TOTAL CYCLE TIME	90	90	STANDARD TABLE HEIGHT	34" (86cm)
WASH TANK CAPACITY	1.7 GAL.	(6.45 L)	MAXIMUM CLEARANCE FOR DISHES	17" (43cm)
PUMP CAPACITY	52 GPM	(197 LPM)	STANDARD DISHRACK	1
OPERATING TEMPERATURE REQUIRED	120°F	(49°C)	DIMENSIONS	20" x 20" (50.8 x 50.8cm)
RECOMMENDED	140°F	(60°C)	ELECTRICAL RATING	VOLTS
WATER CONSUMPTION PER RACK	1.7 GAL.	(6.45 L)		115
PER HOUR	68 GPH	(257 LPH)	APPROXIMATE SHIPPING WEIGHT	259# (117kg)
WATER REQUIREMENTS WATER INLET	3/4"	(1.9cm)	SHIPPING DIMENSIONS	PALLET & BOX @ 41" X 41" X 66"
DRAIN-I.P.S.	2"	(5.1cm)		

Summary Specifications: Model AH

CMA Energy Mizer model AH low temperature, chemical sanitizing commercial dishwashers meet NSF, UL and construction standards WITHOUT the use of BOOSTER or TANK HEATERS. The model AH is constructed entirely of stainless steel. Each unit automatically washes, rinses and sanitizes food service utensils in standard 19-3/4" x 19-3/4" racks. Unit comes standard with upper and lower stainless steel wash arms. The model AH incorporates a pump purging system that improves results by eliminating soil and chemical carryover during rinse cycle. **Note: These machines do not have built-in heaters, therefore produce no steam.**

Advisory: CMA does NOT endorse "Tankless On-Demand" water heaters for use on CMA Dishmachine products. CMA DOES endorse, and highly recommends, the standard "tank" style water heaters, sized properly to handle each particular facility with their water heating requirements.

