


FEATURES:

- Cleans and sanitizes up to 1000 2-1/2" glasses per hour.
- Hands-free glass activated on/off stop is safe and convenient.
- Independent upper and lower wash and rinse arms ensure superior results.
- Built-in 3kW electric tank heater maintains the recirculated wash water to the recommended 140°F wash temperature.
- Compatible with both Iodine and Chlorine sanitizers.
- Simple controls for operation and cleaning.
- All stainless steel construction assures trouble free service and a long life.
- Adjustable rinse temperature allows flexible sanitizing options.
- Poly Pro™ circular conveyor is extremely durable and reduces chipping and breakage of glassware.
- Double wall construction for quiet back bar operation.
- Internal chemical storage.
- Built-in chemical pumps with primer switches.
- Dual curtains - soil entrance (eliminates splash).



Stainless steel wash/rinse chamber.



Independent spray arms blast water from the top and bottom for optimum cleaning, sanitizing and rinsing.

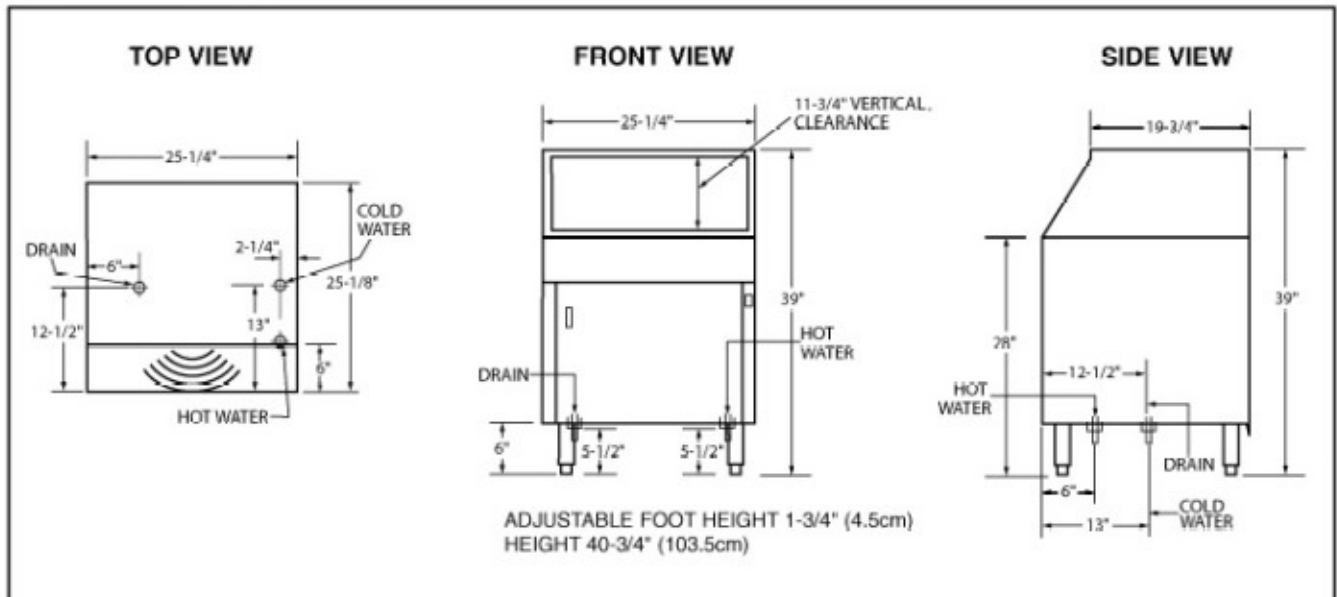


Interior controls provide easy access for changing chemical settings and service. Internal chemical storage.





WARNING: Plumbing connections need to be made by a qualified service company who will comply with all available Federal, State, and Local Health, Plumbing and Safety codes.



Specifications:

MODEL GL-C	USA	METRIC	USA	METRIC
OPERATING CAPACITY (2-1/2") GLASSES PER HOUR	1000	-		
OPERATING TEMPERATURES INLET WATER. (HOT) RECOMMENDED INLET WATER. (COLD)	140°F 75°F	(60°C) (24°C)		
WATER CONSUMPTION HOT WATER (INITIAL FILL) HOT WATER PER HOUR (MAX) COLD WATER PER HOUR	3 GAL 12 GAL 168 GAL	(11.25 L) (45.42 L) (636 L)		
WATER REQUIREMENTS HOT WATER INLET COLD WATER INLET DRAIN (MAX)	1/2" 1/2" 1-1/2"	- - -		
DIMENSIONS DEPTH WIDTH HEIGHT MAXIMUM CLEARANCE FOR GLASSWARE			25-1/8" 25 1/4" 39"-40" 11-3/4"	(63.8cm) (64.1cm) (99.1-101.6cm) (29.84cm)
ELECTRICAL RATING			VOLTS 208-230/60/1	AMPS 11.5-13
TANK HEATER				3kW
SHIPPING WEIGHT APPROXIMATE			156#	(71kg)

Summary Specifications: Model GL-C

The GL-C glasswasher is designed to produce sparkling clean glassware utilizing separate detergent, sanitizer and rinse aid chemical pumps. Standard features include upper and lower wash/rinse arms, wash tank heater, Poly Pro™ conveyor, splash curtains, double-walled construction, and storage space for three 1-gallon containers. The GL-C is constructed for extended life out of stainless steel.

Available Options

- Drain tray and waste collector.

