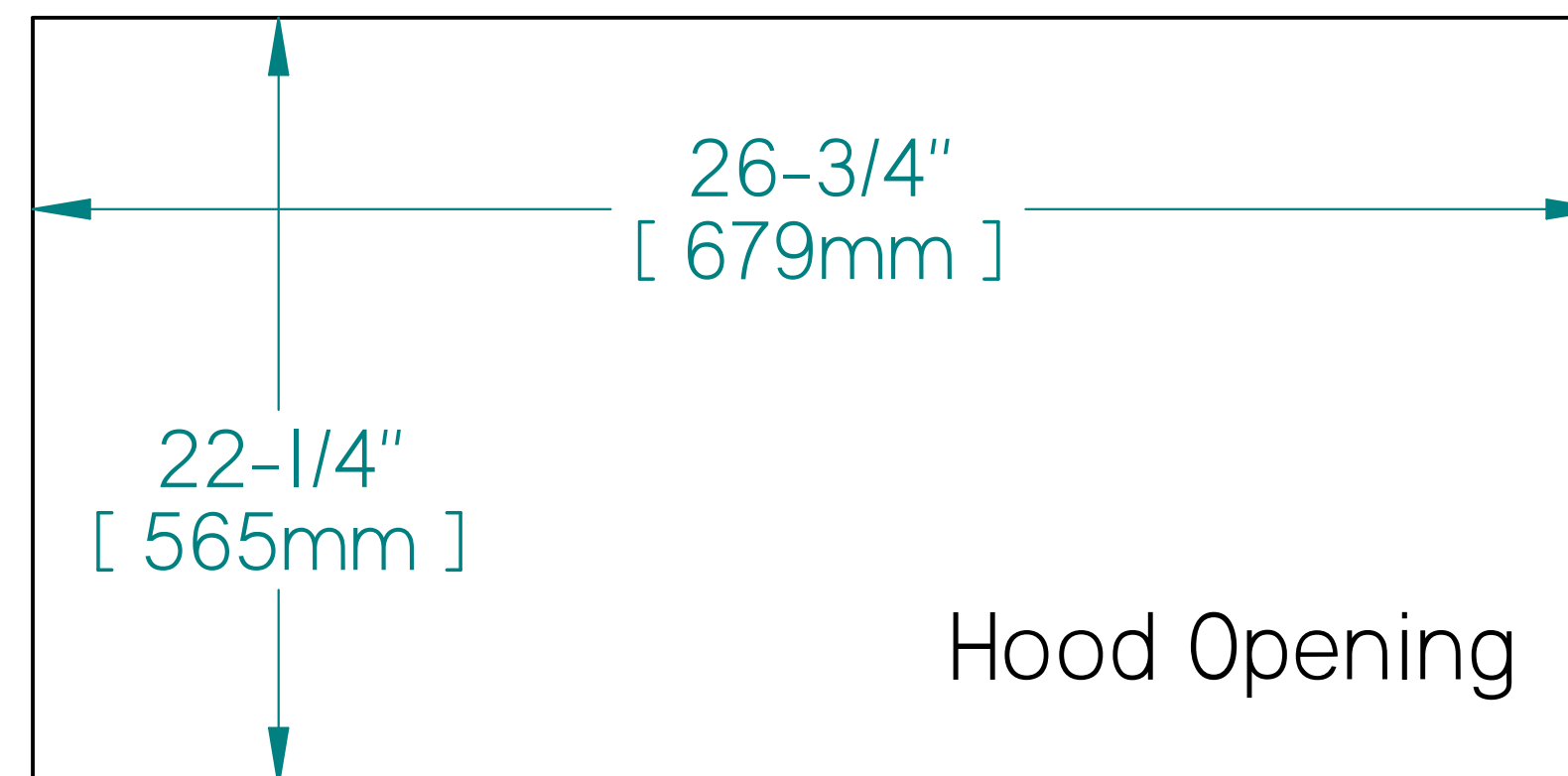
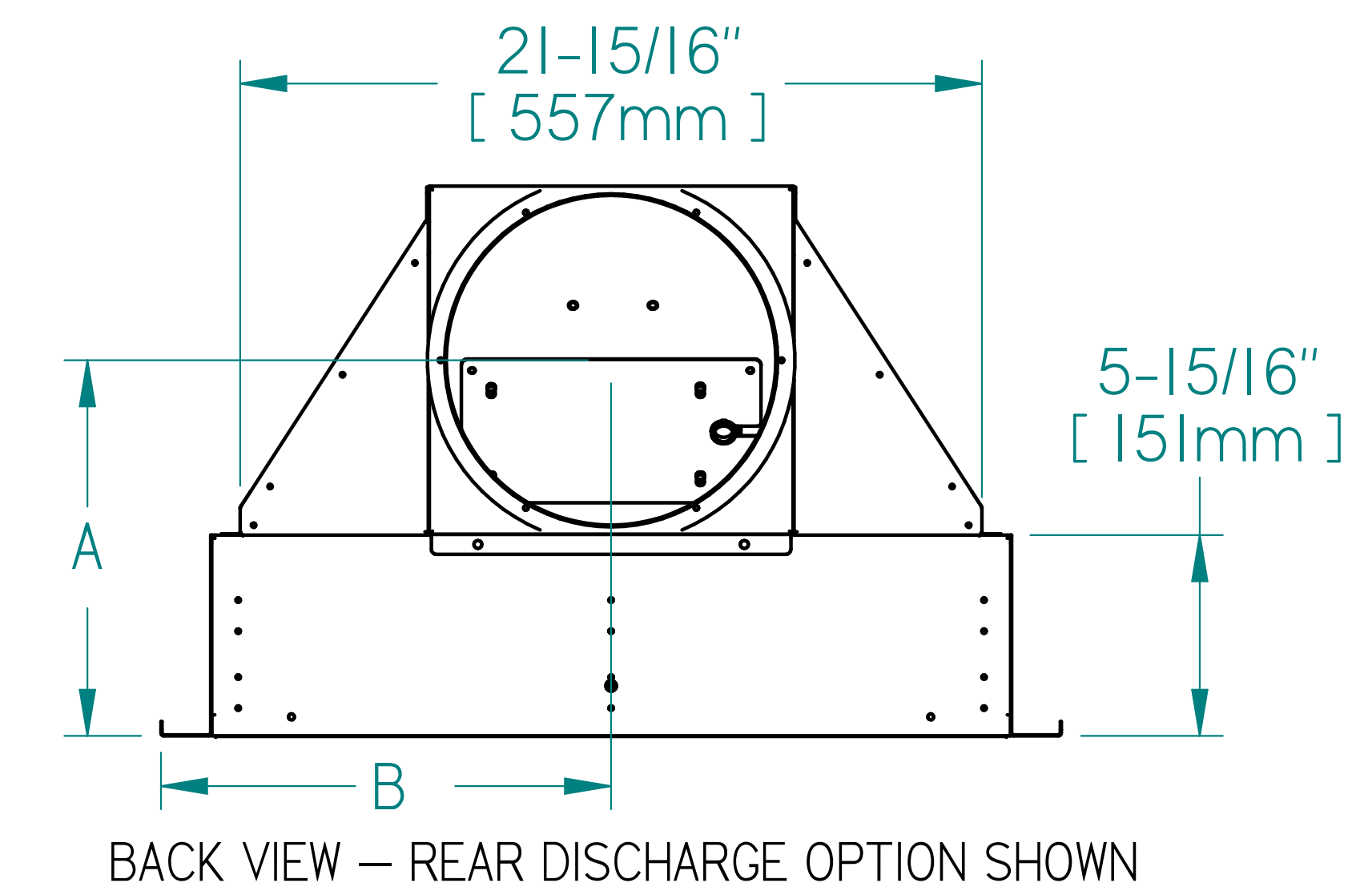
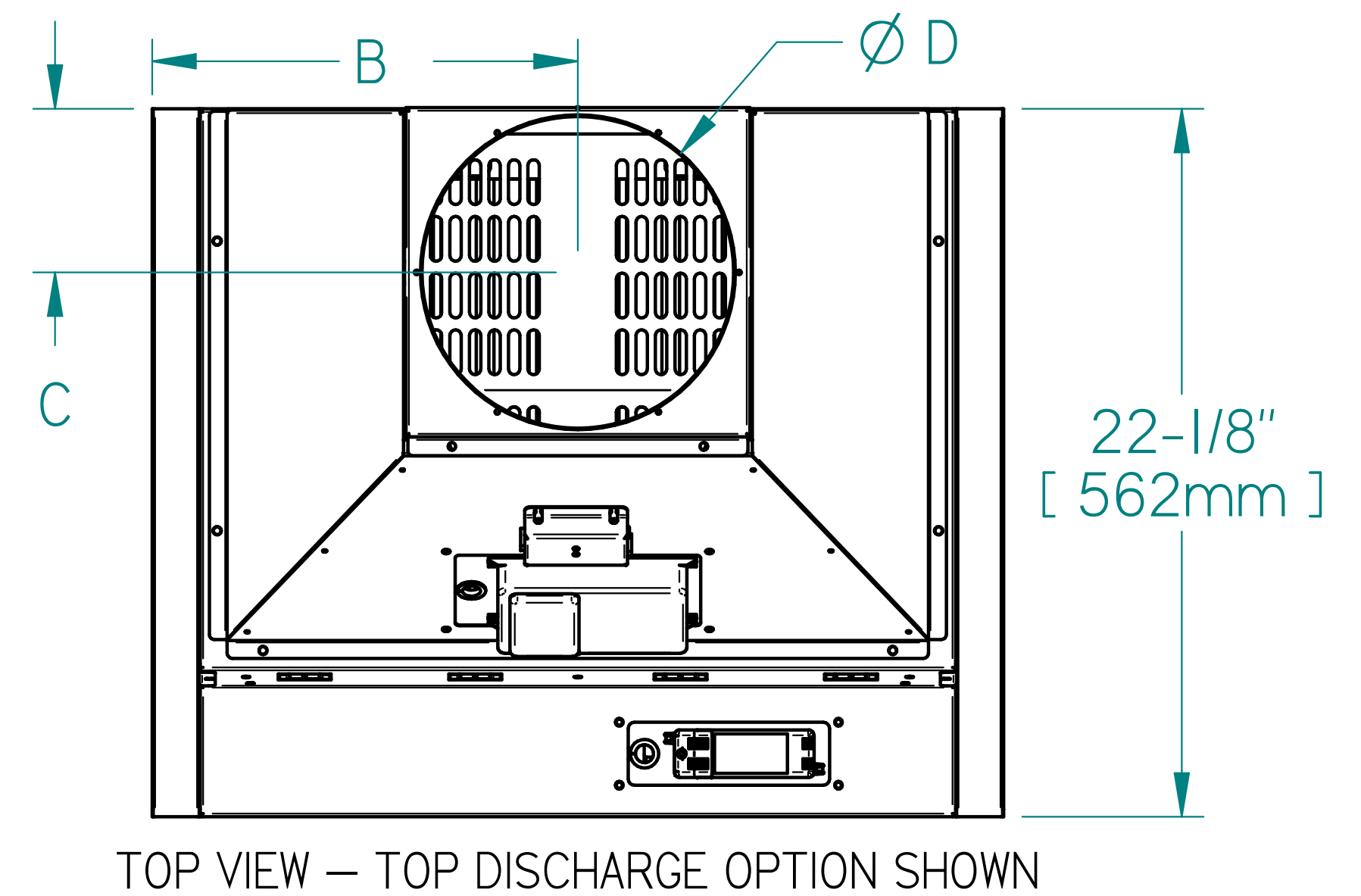
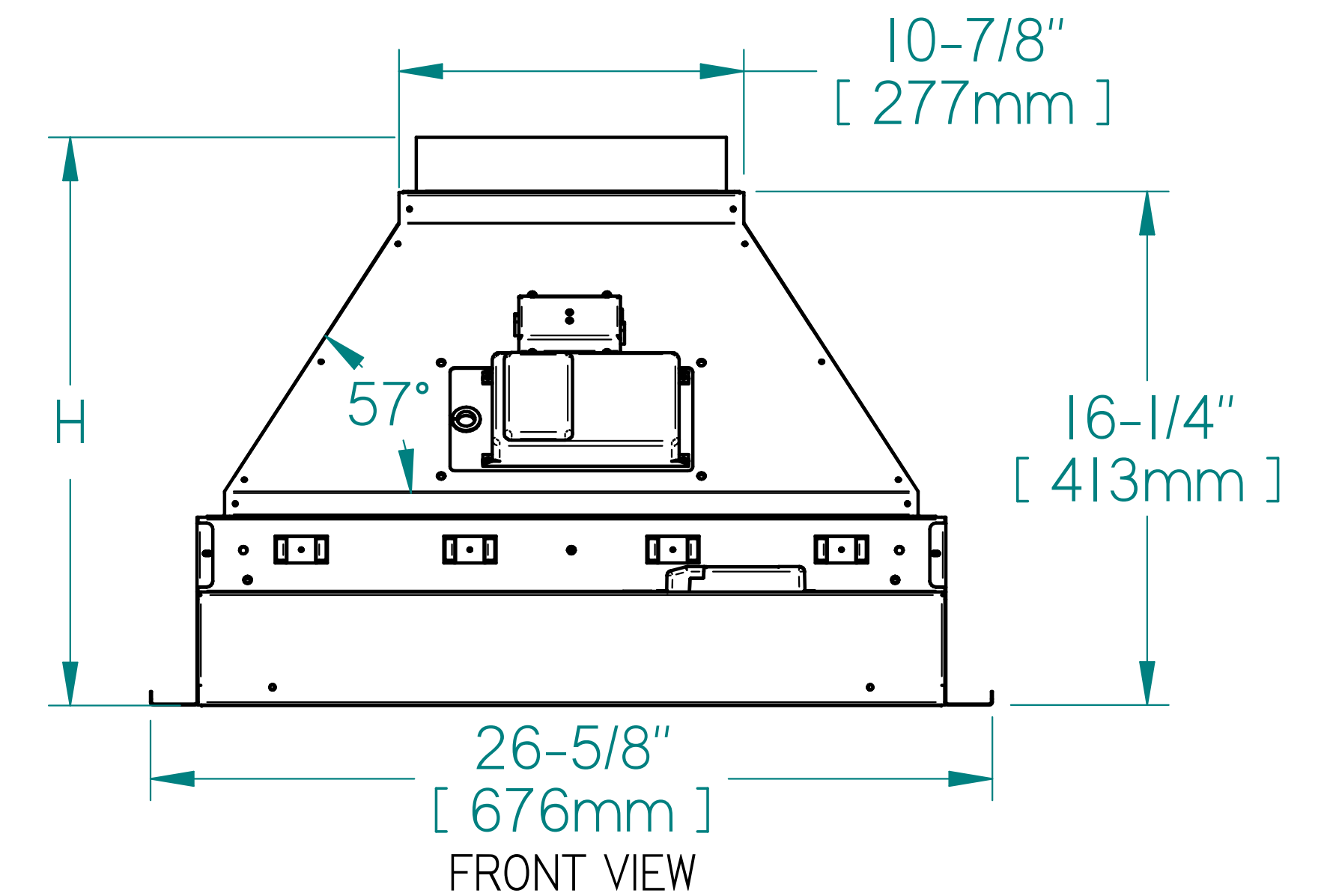
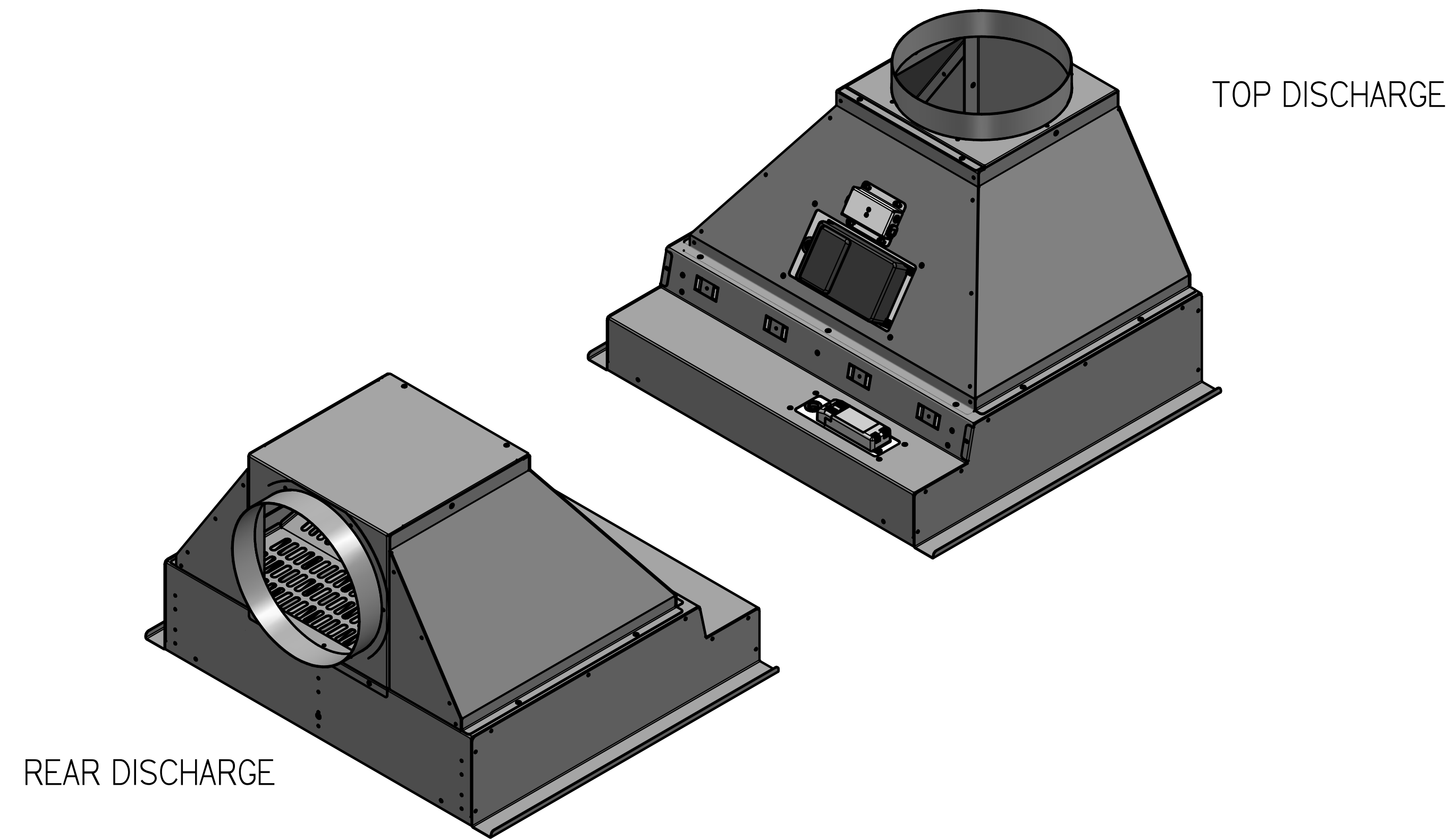
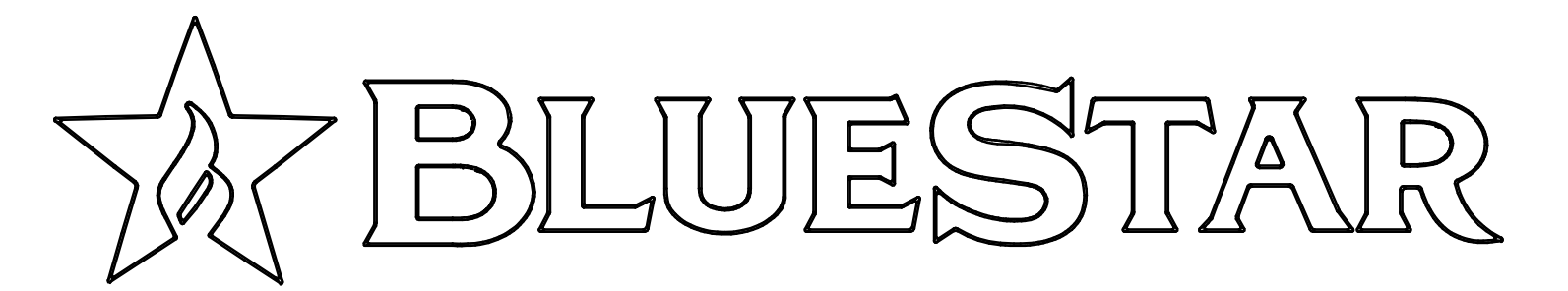


BLUESTAR HOOD DIMENSIONS, MODEL: - PM028ML

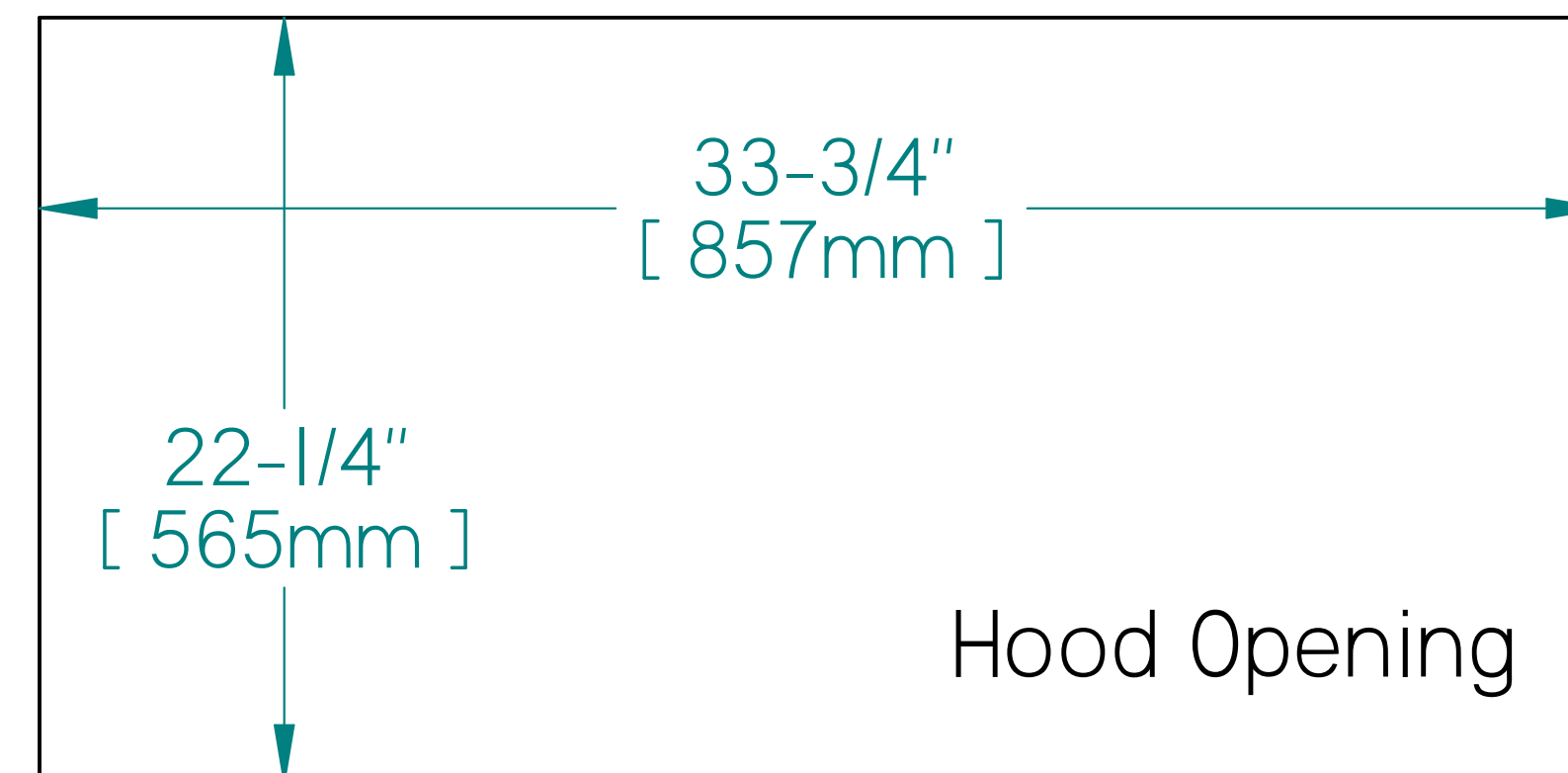
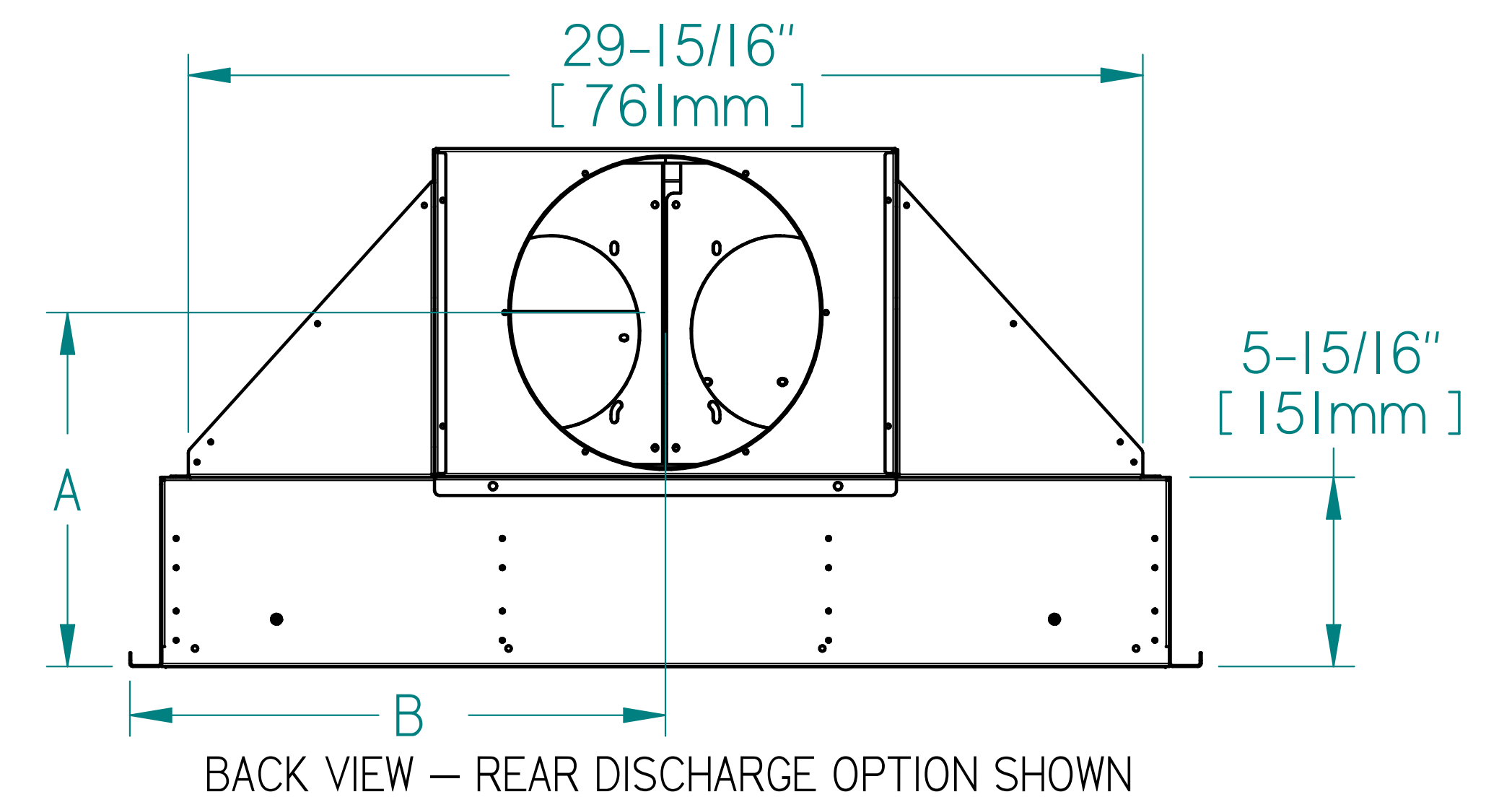
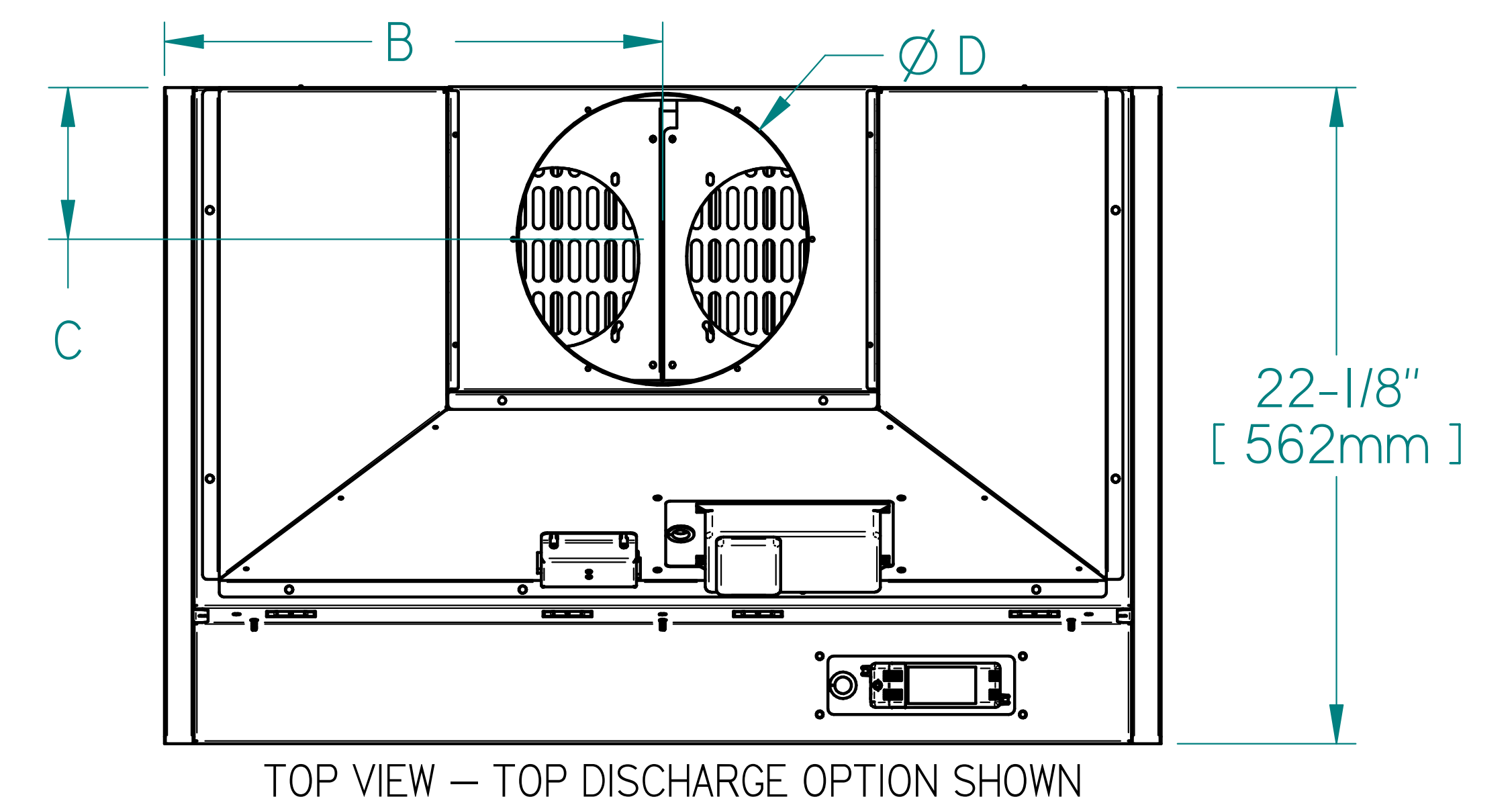
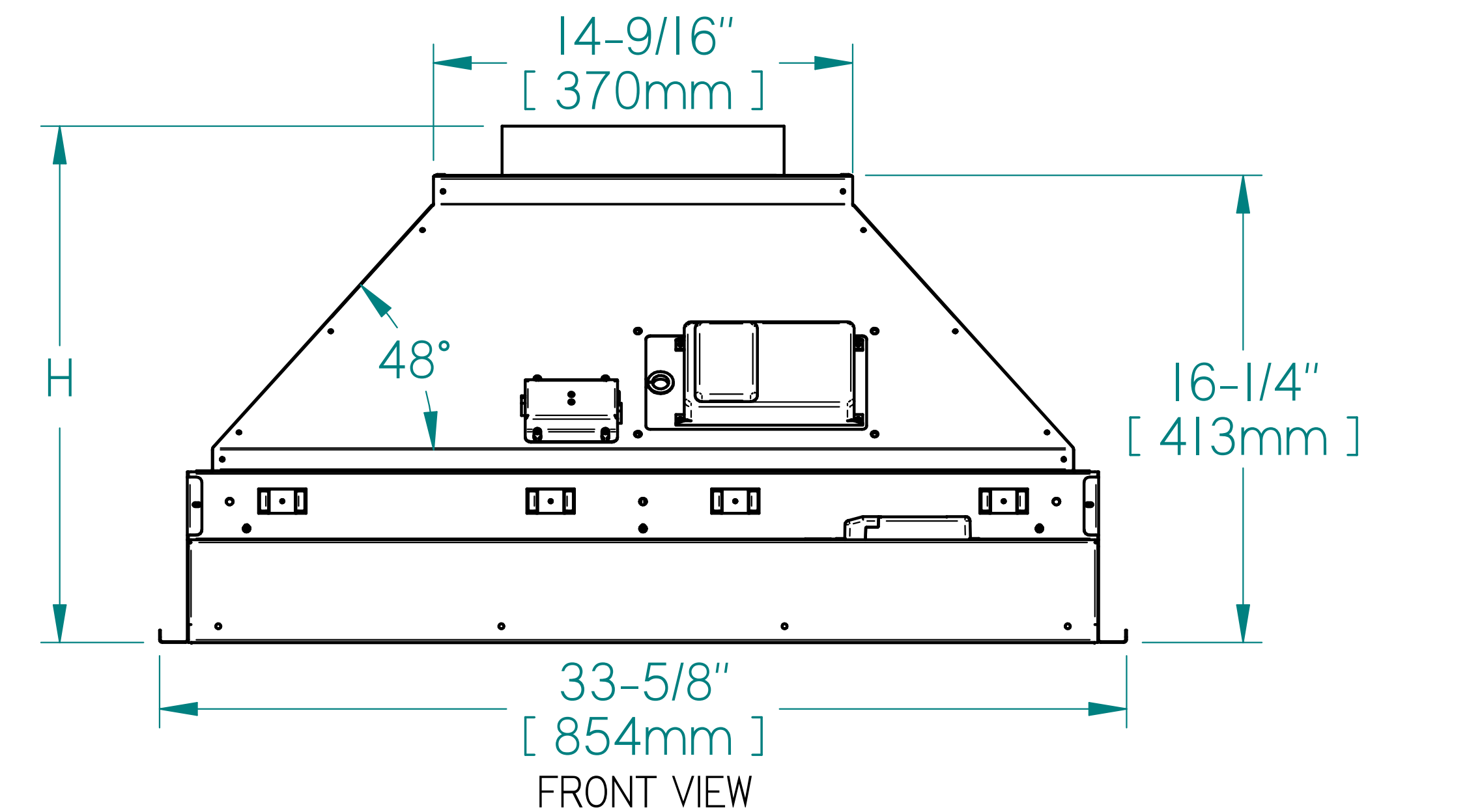
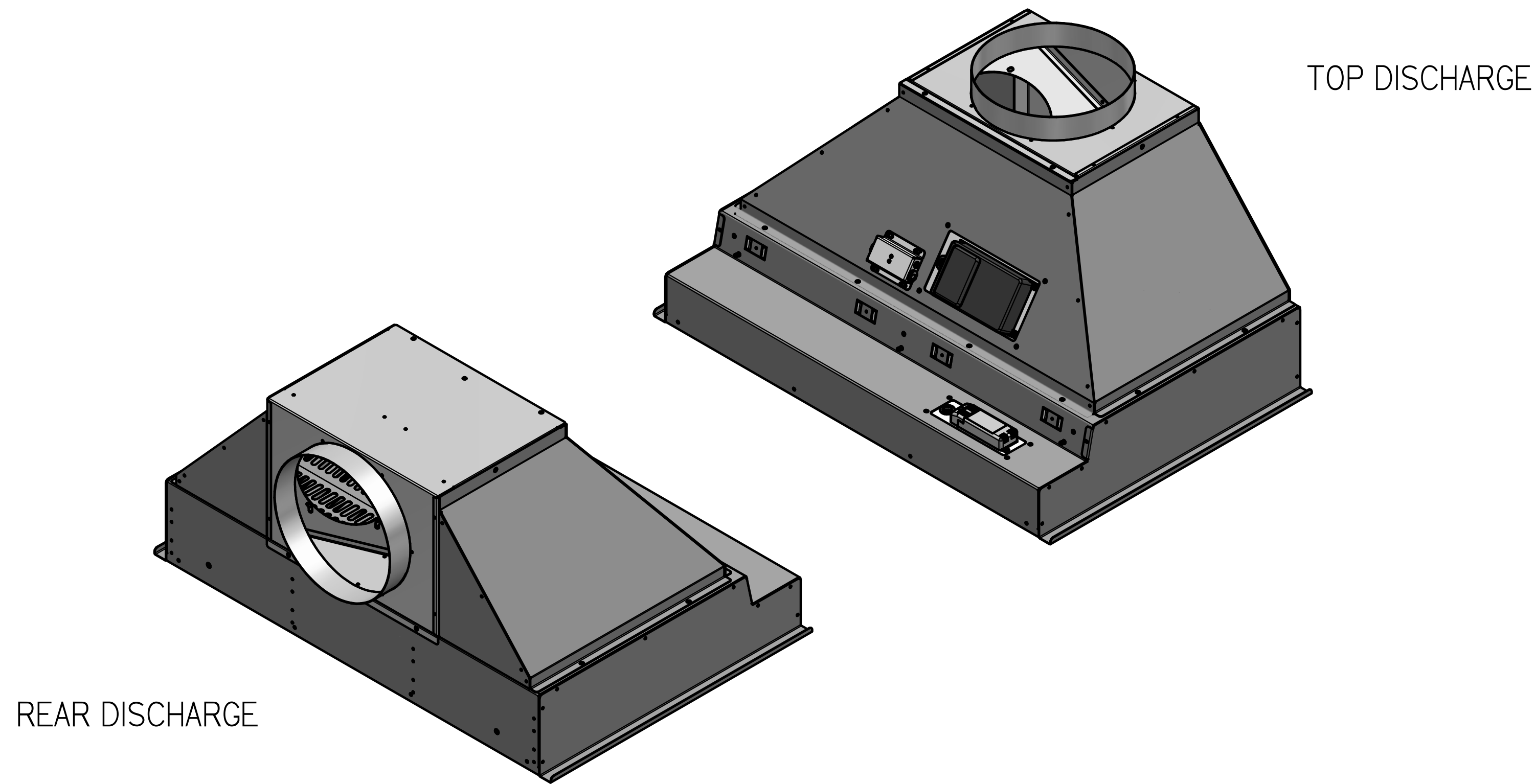
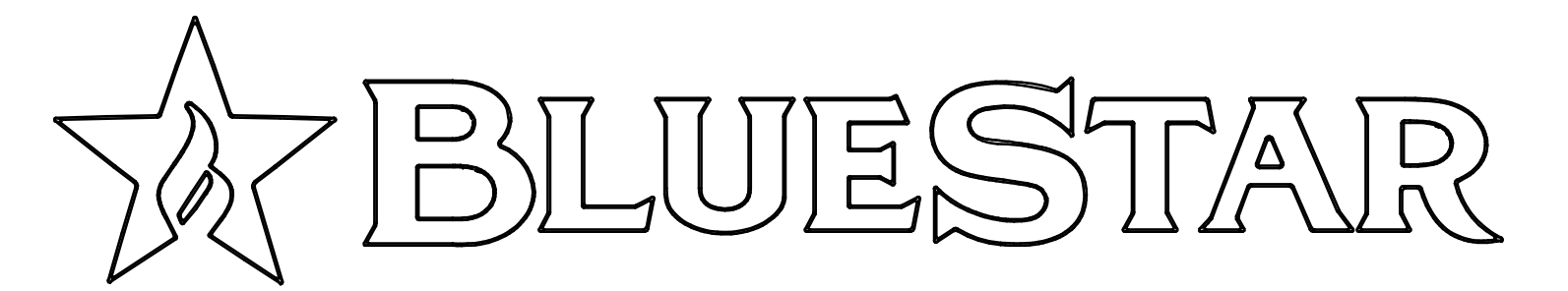


BLOWER OUTLET INFORMATION		
	IN-HOOD (-INO6 ONLY)	ALL OTHER BLOWERS
A	11-1/2" [292mm]	11-1/8" [282mm]
B	13-5/16" [338mm]	13-5/16" [338mm]
C	4-11/16" [120mm]	5-1/8" [130mm]
D	5-7/8" [149mm]	9-7/8" [251mm]
H	16-1/4" [413mm]	17-15/16" [456mm]
SIZE TO FIT	Ø 6" DUCT	Ø 10" DUCT

NOTE:

- FOR SIDE VIEW AND DIMENSION VIEW PAGE 8
- DIMENSIONS SHOWN IN [] ARE IN MILLIMETERS.
- ALL INCH DIMENSIONS HAVE BEEN ROUNDED TO 1/16".
- ALL MILLIMETER DIMENSIONS HAVE BEEN ROUNDED TO 1MM.
- SOME SMALL MANUFACTURING VARIATION IS NORMAL.

BLUESTAR HOOD DIMENSIONS, MODEL: - PM034ML

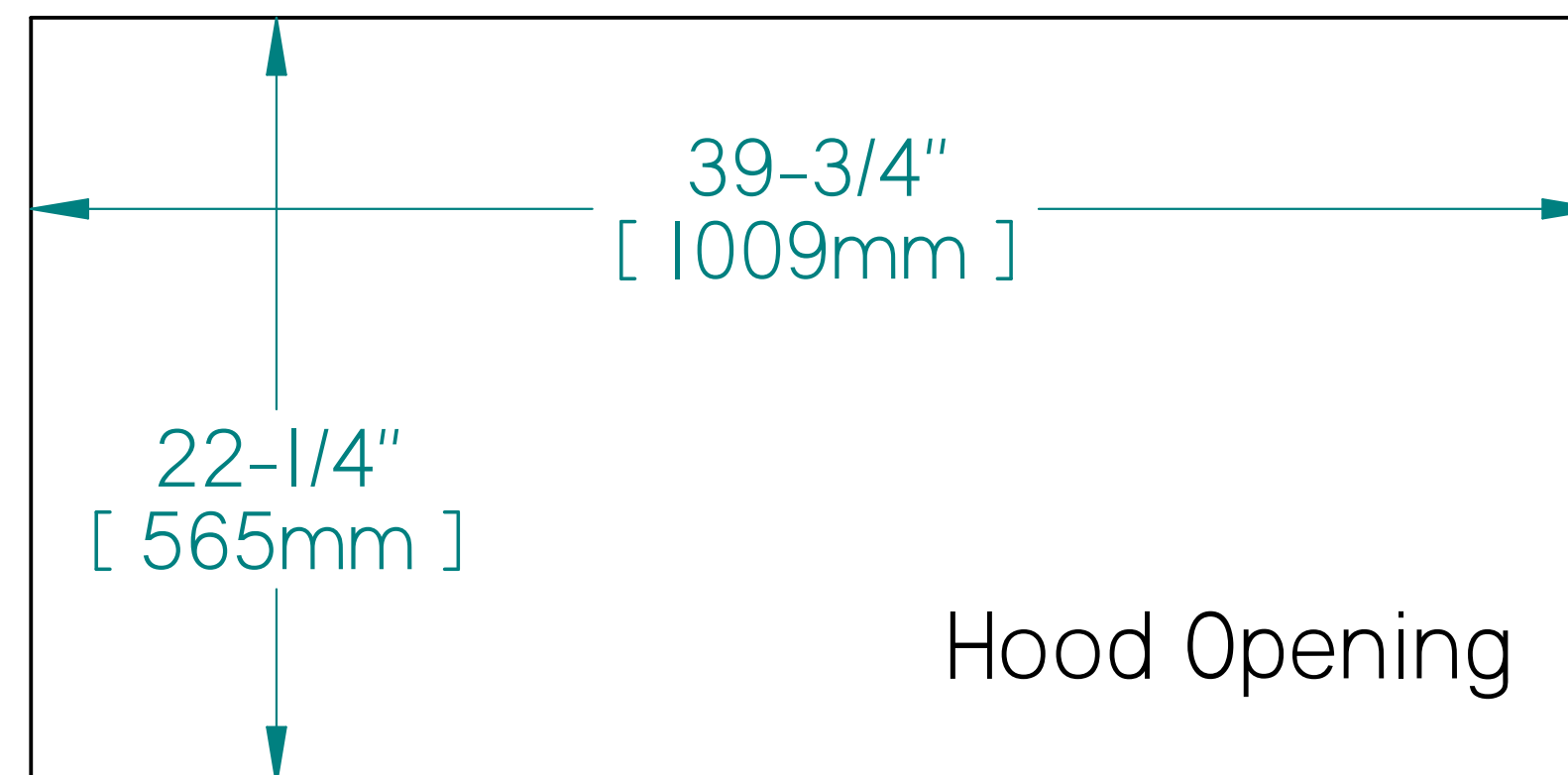
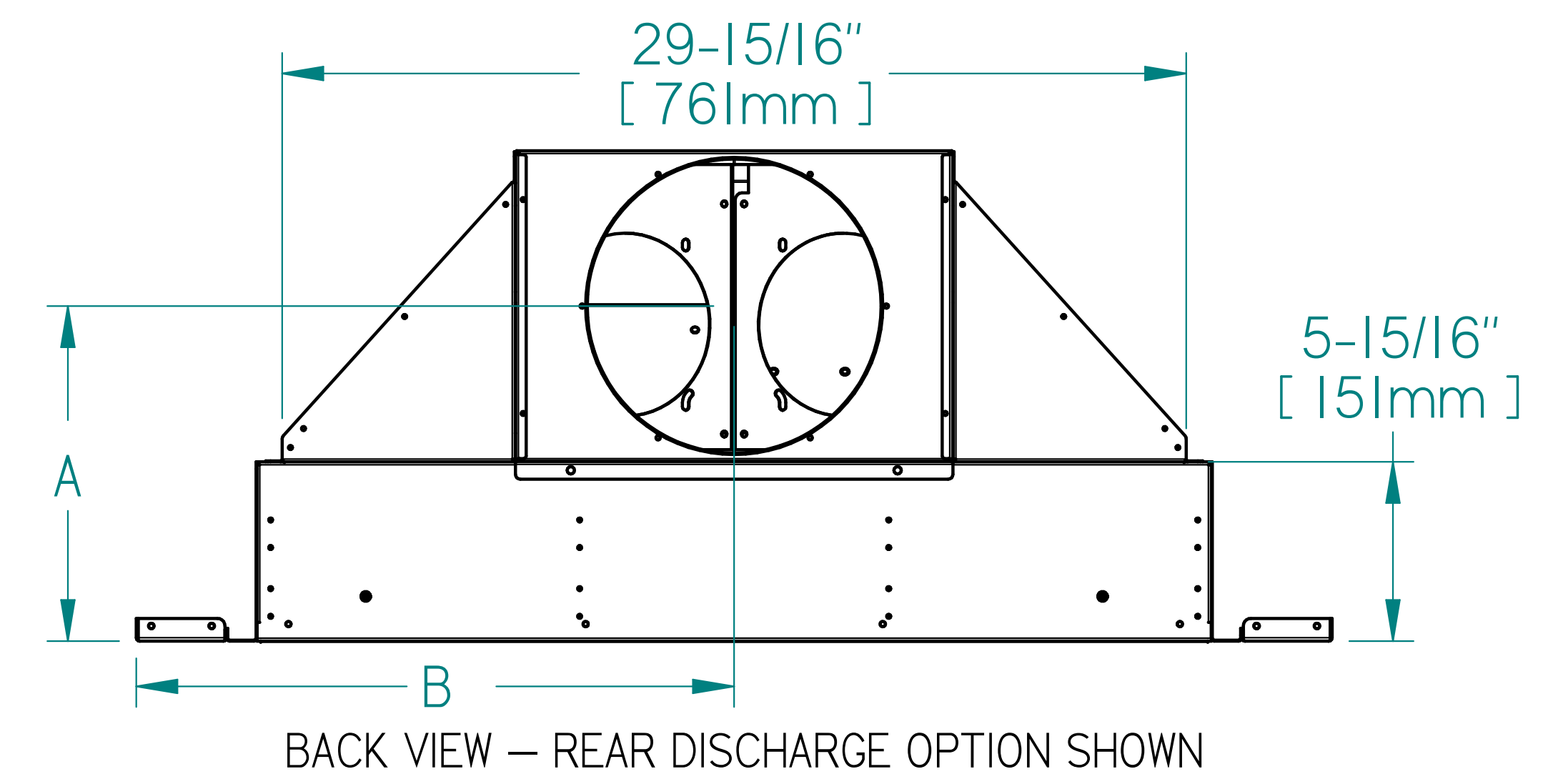
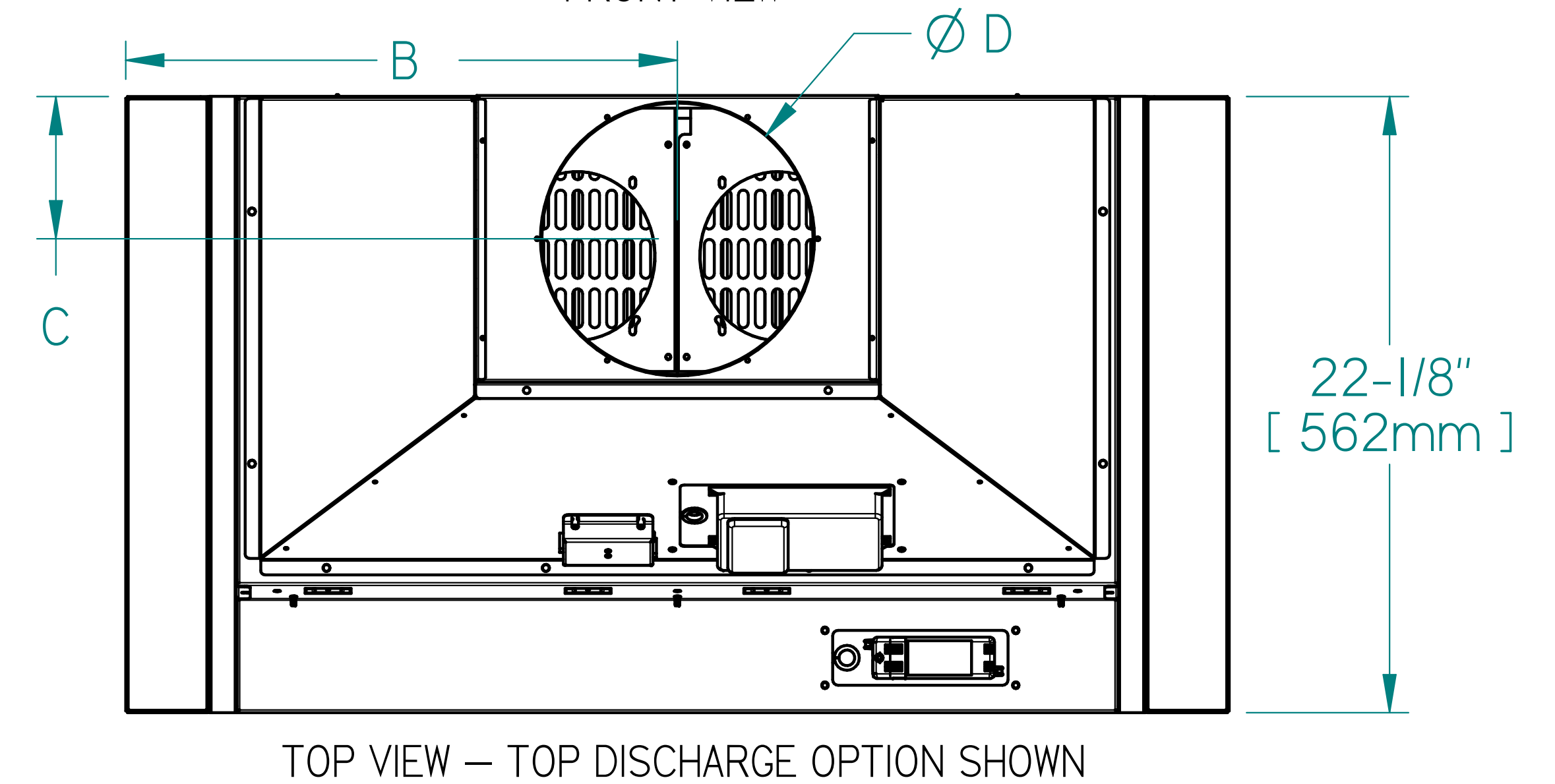
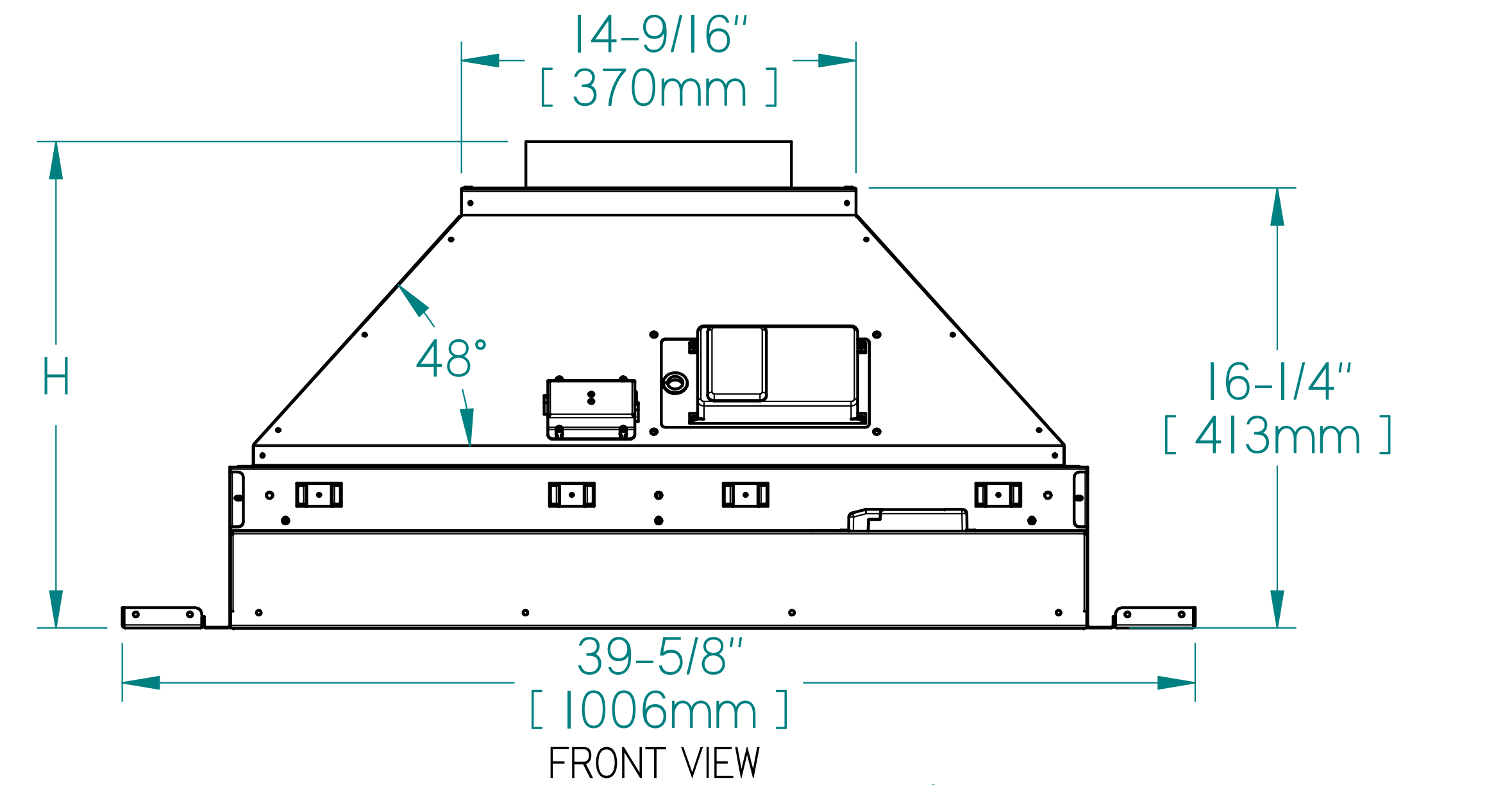
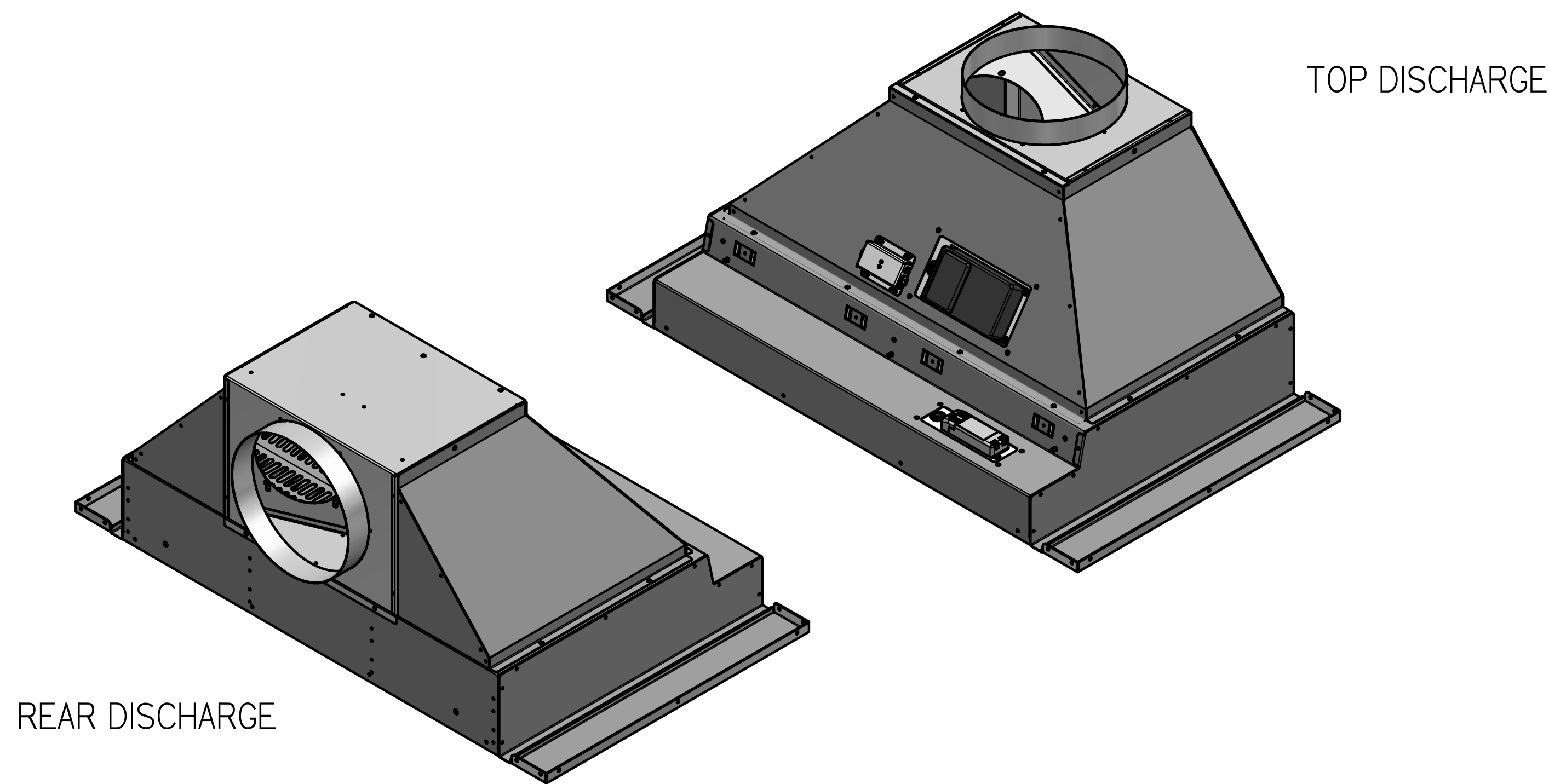
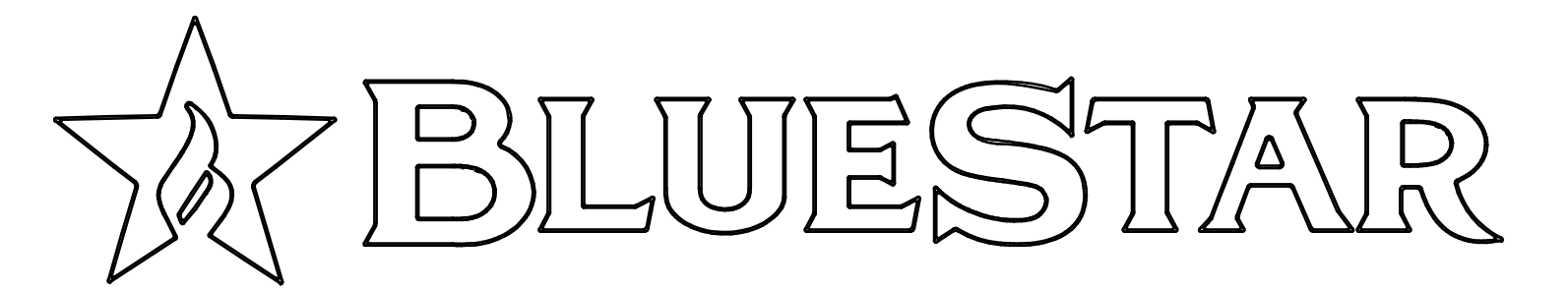


BLOWER OUTLET INFORMATION		
	IN-HOOD (-INO6 ONLY)	ALL OTHER BLOWERS
A	11-1/2" [292mm]	11-1/8" [282mm]
B	16-13/16" [427mm]	16-13/16" [427mm]
C	4-11/16" [120mm]	5-1/8" [130mm]
D	5-7/8" [149mm]	9-7/8" [251mm]
H	16-1/4" [413mm]	17-15/16" [456mm]
SIZE TO FIT	Ø 6" DUCT	Ø 10" DUCT

NOTE:

- FOR SIDE VIEW AND DIMENSION VIEW PAGE 8
- DIMENSIONS SHOWN IN [] ARE IN MILLIMETERS.
- ALL INCH DIMENSIONS HAVE BEEN ROUNDED TO 1/16".
- ALL MILLIMETER DIMENSIONS HAVE BEEN ROUNDED TO 1MM.
- SOME SMALL MANUFACTURING VARIATION IS NORMAL.

BLUESTAR HOOD DIMENSIONS, MODEL: - PM040ML

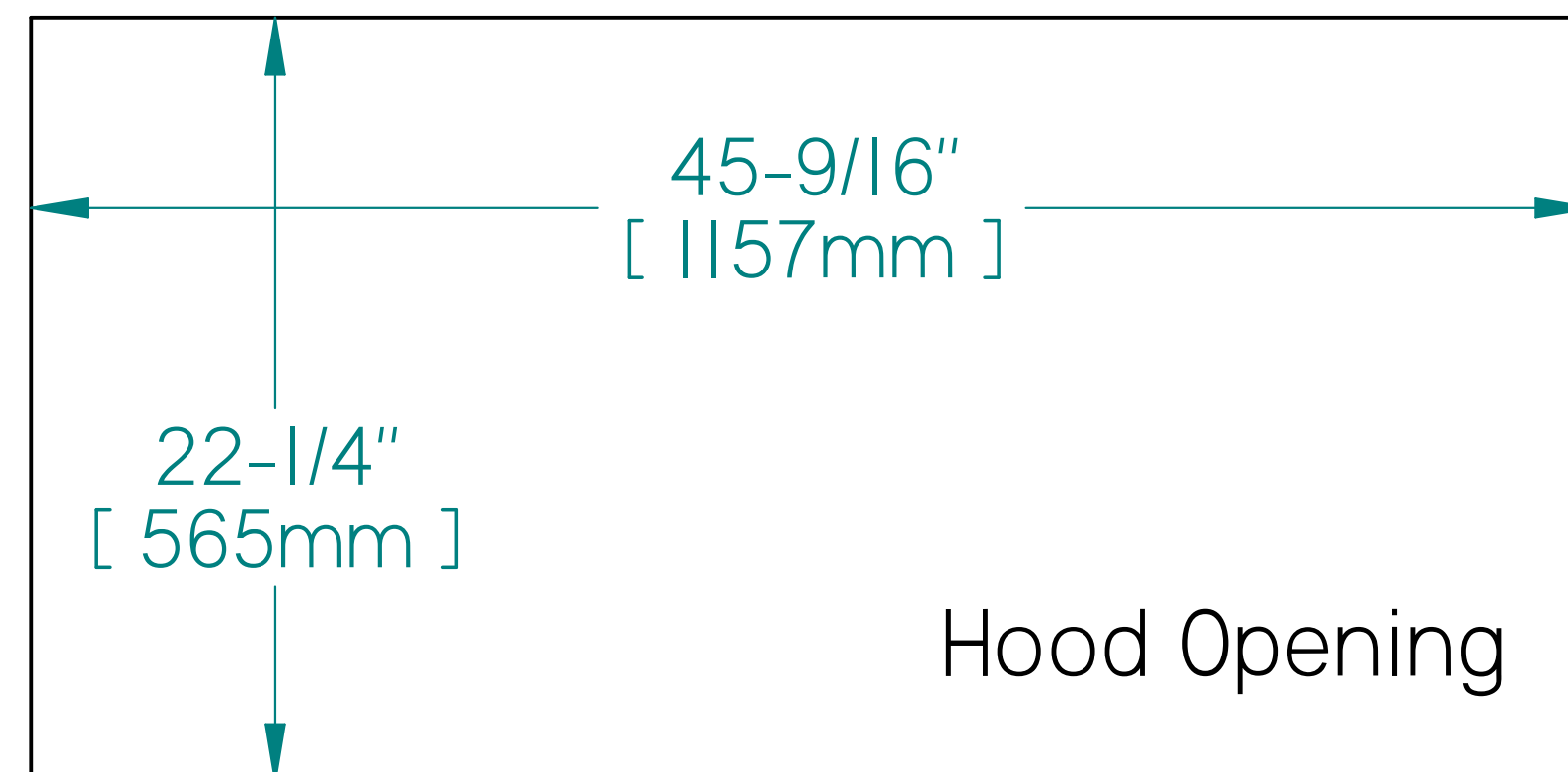
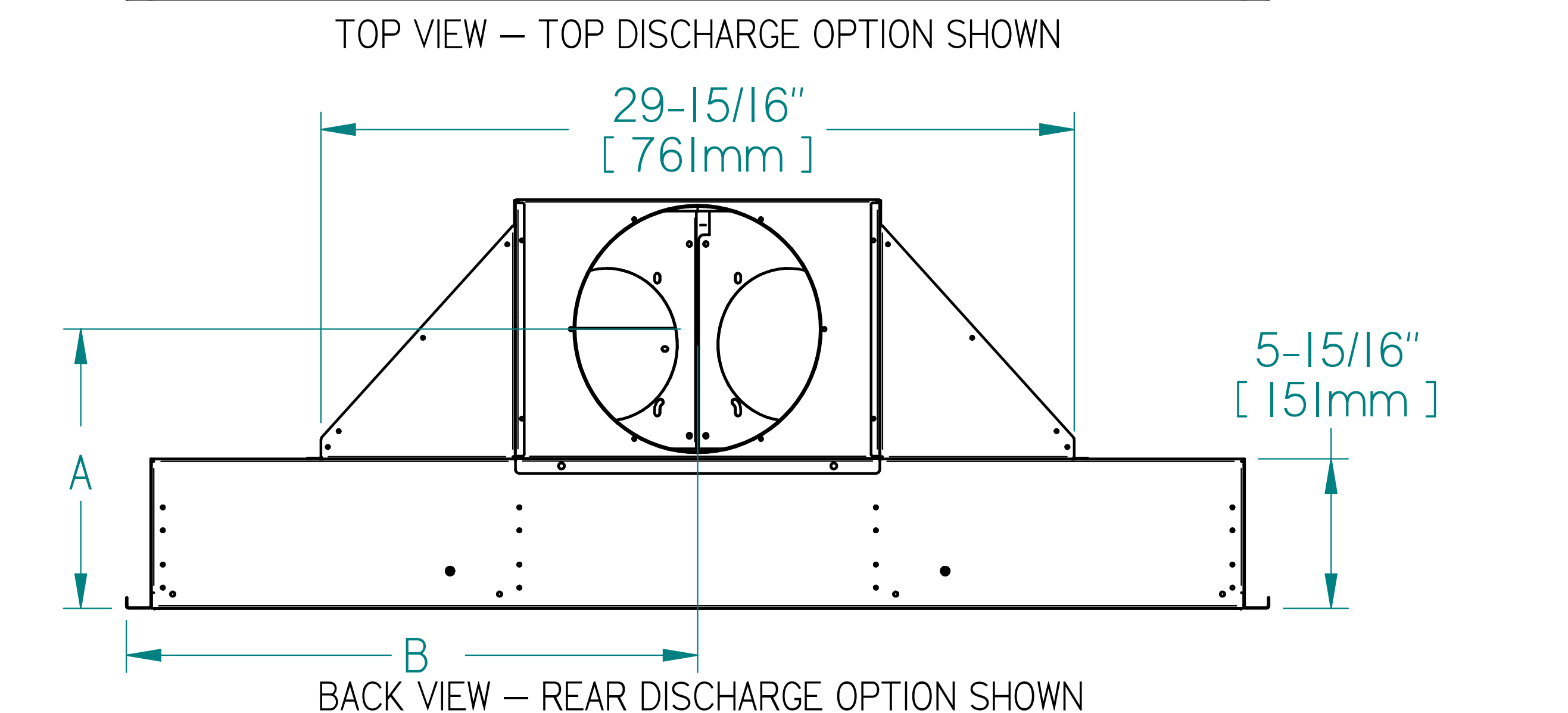
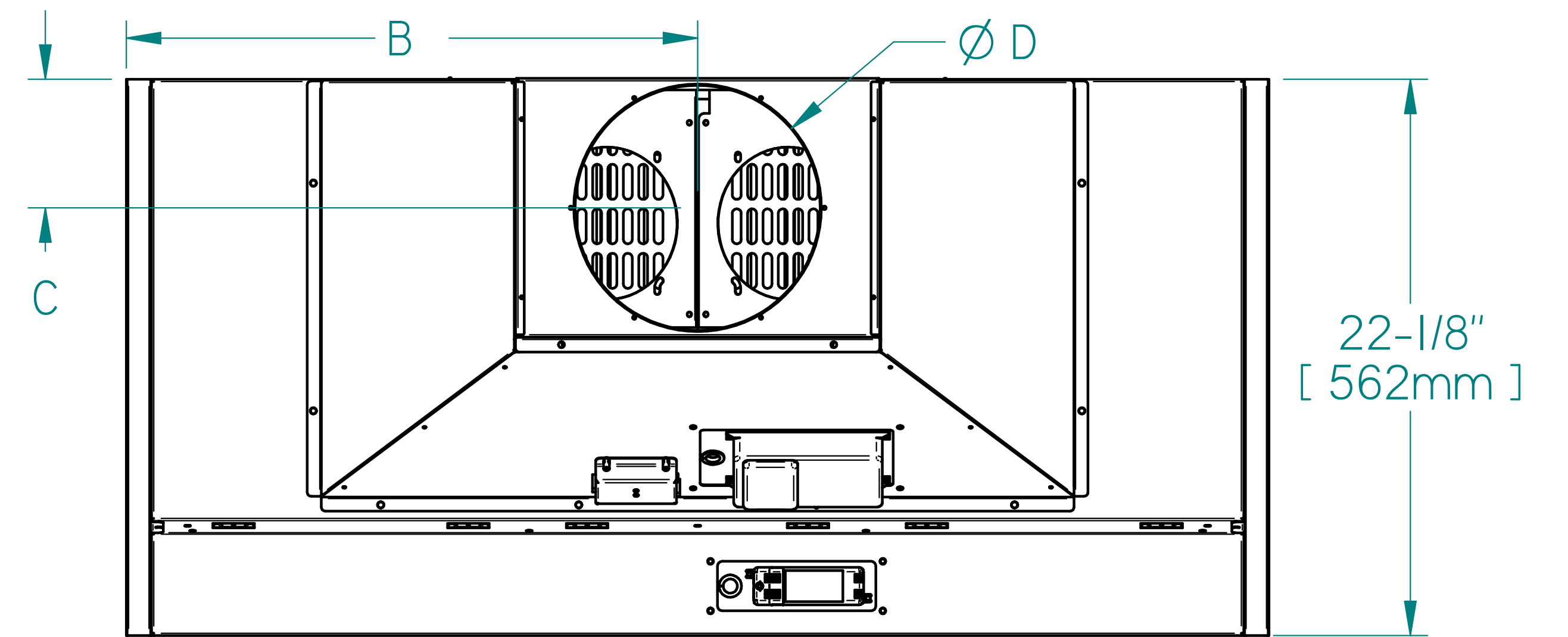
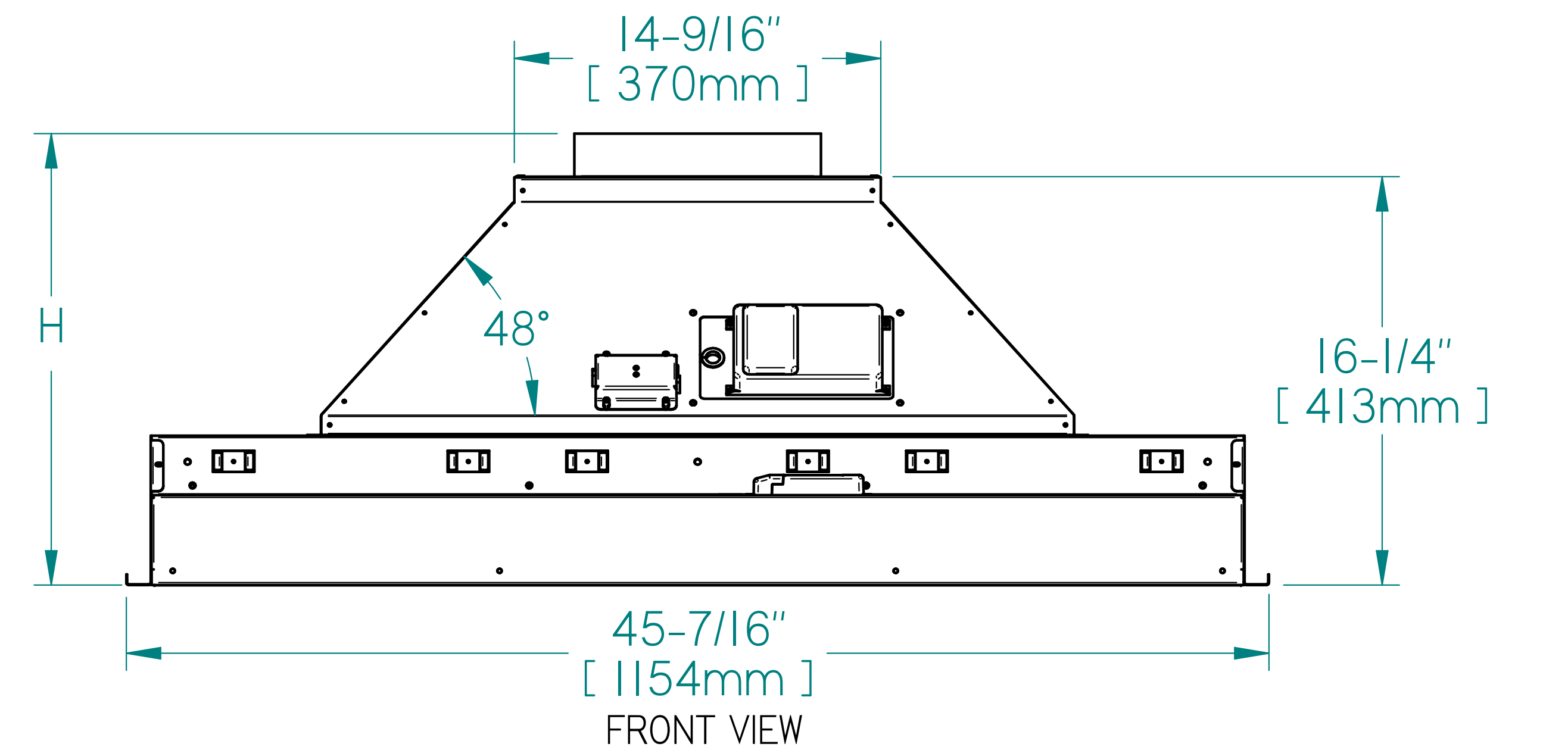
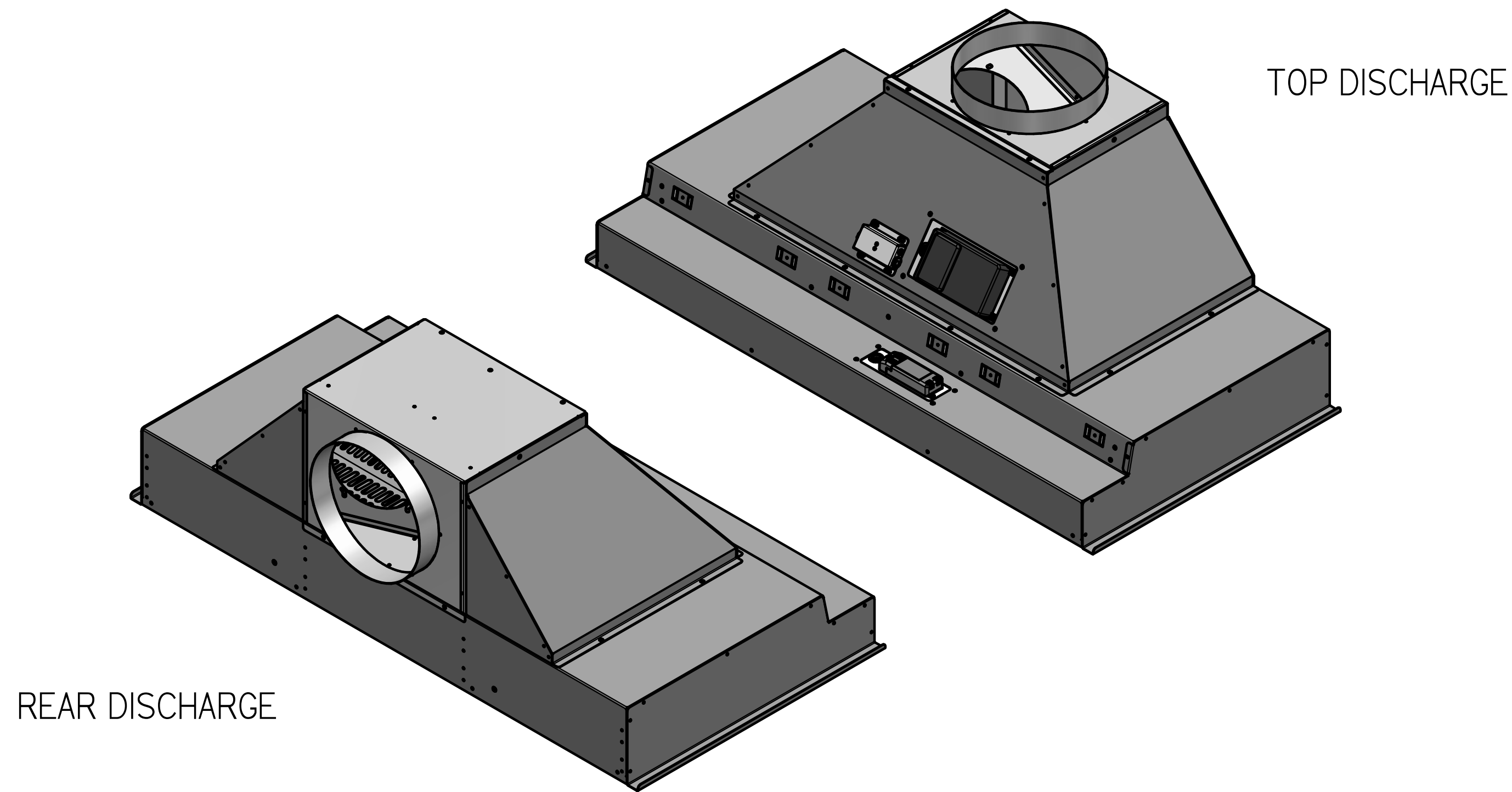
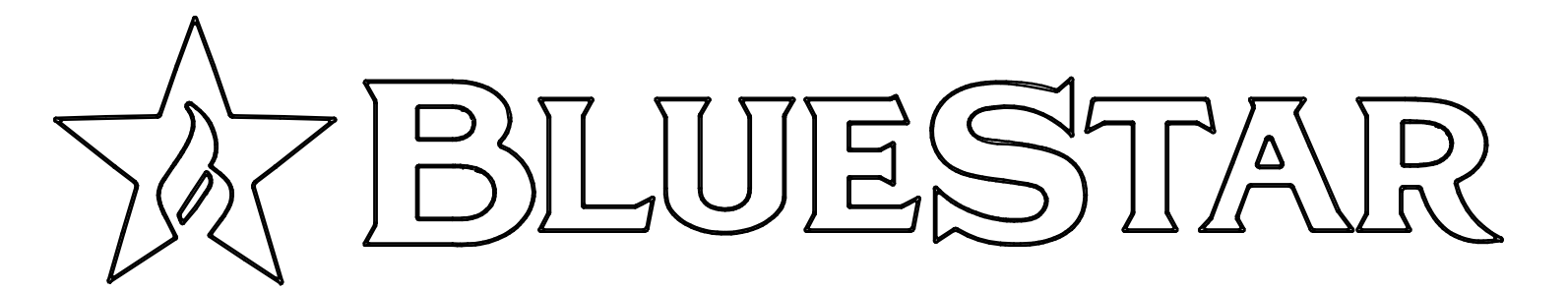


BLOWER OUTLET INFORMATION		
	IN-HOOD (-INO6 ONLY)	ALL OTHER BLOWERS
A	11-1/2" [292mm]	11-1/8" [282mm]
B	19-13/16" [503mm]	19-13/16" [503mm]
C	4-11/16" [120mm]	5-1/8" [130mm]
D	5-7/8" [149mm]	9-7/8" [251mm]
H	16-1/4" [413mm]	17-15/16" [456mm]
SIZE TO FIT	Ø 6" DUCT	Ø 10" DUCT

NOTE:

- FOR SIDE VIEW AND DIMENSION VIEW PAGE 8
- DIMENSIONS SHOWN IN [] ARE IN MILLIMETERS.
- ALL INCH DIMENSIONS HAVE BEEN ROUNDED TO 1/16".
- ALL MILLIMETER DIMENSIONS HAVE BEEN ROUNDED TO 1MM.
- SOME SMALL MANUFACTURING VARIATION IS NORMAL.

BLUESTAR HOOD DIMENSIONS, MODEL: - PM046ML

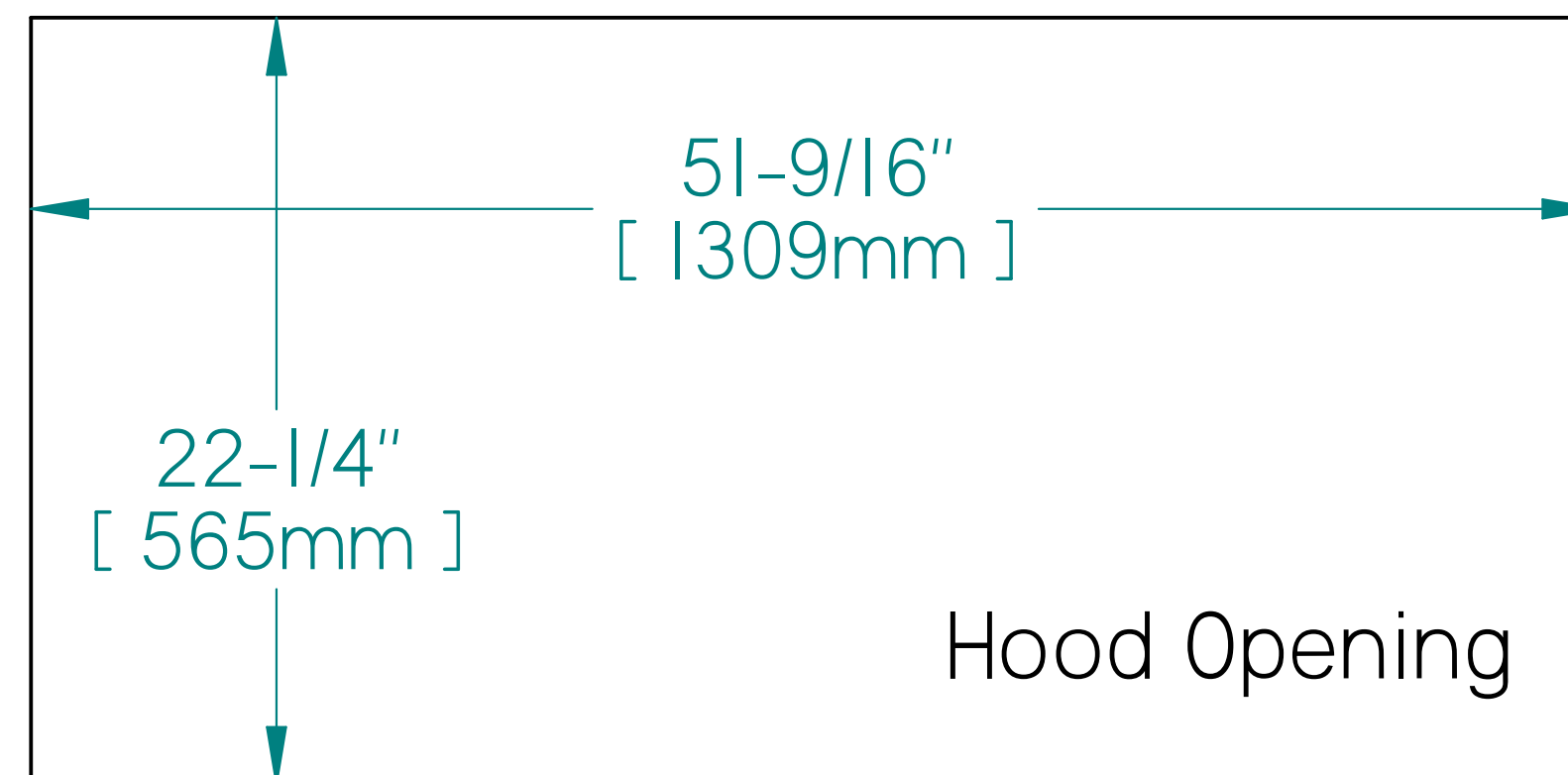
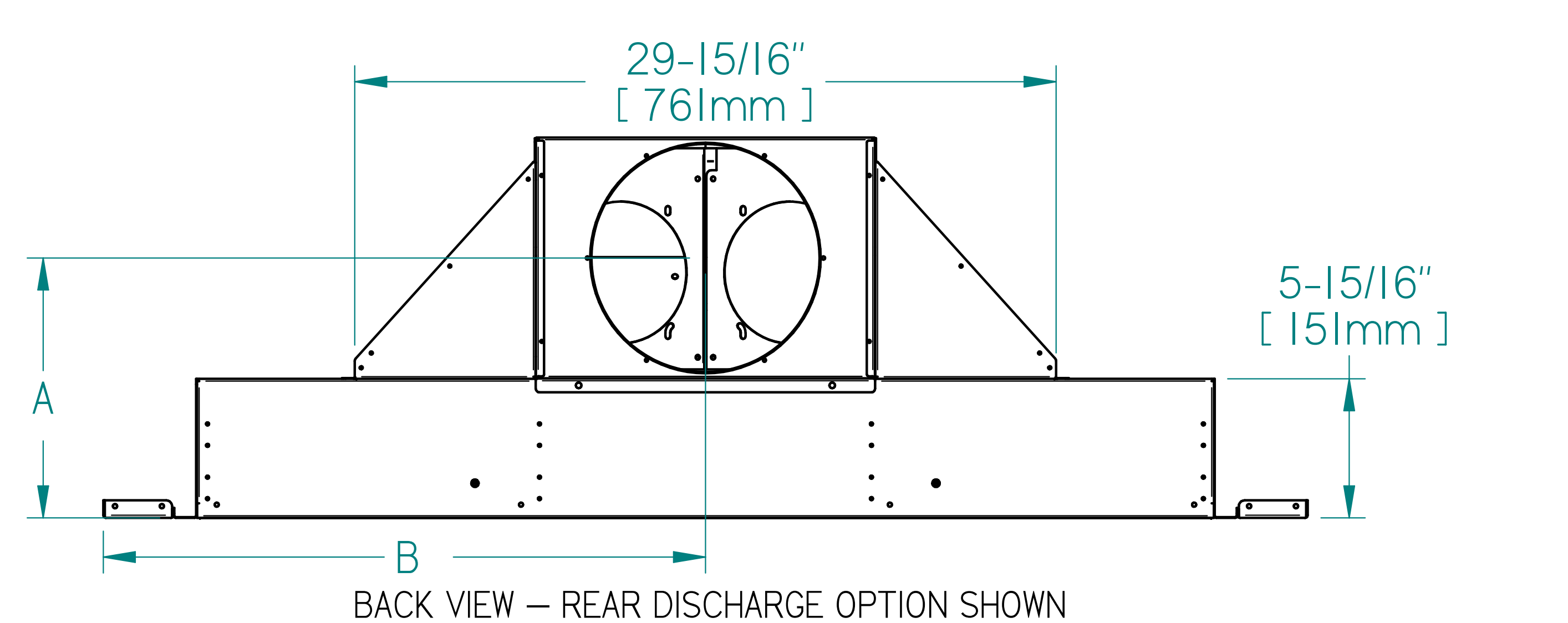
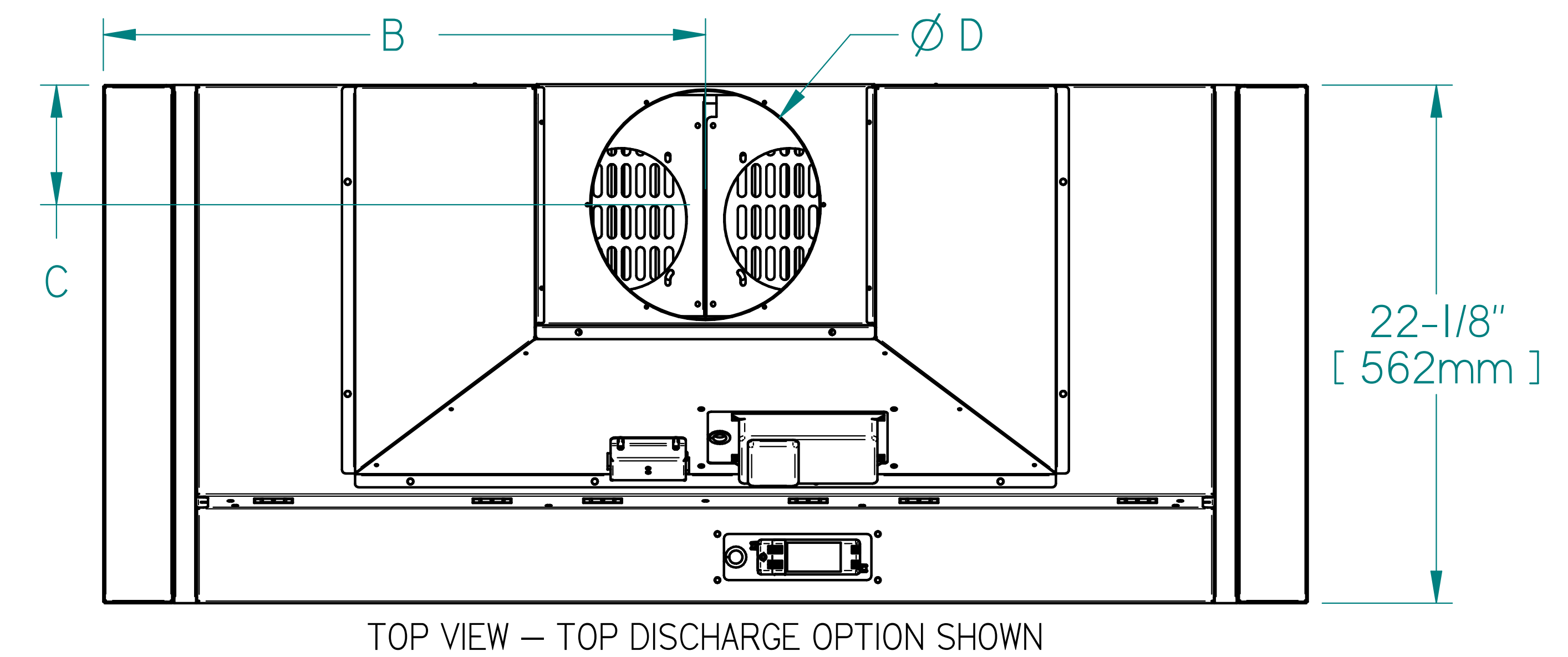
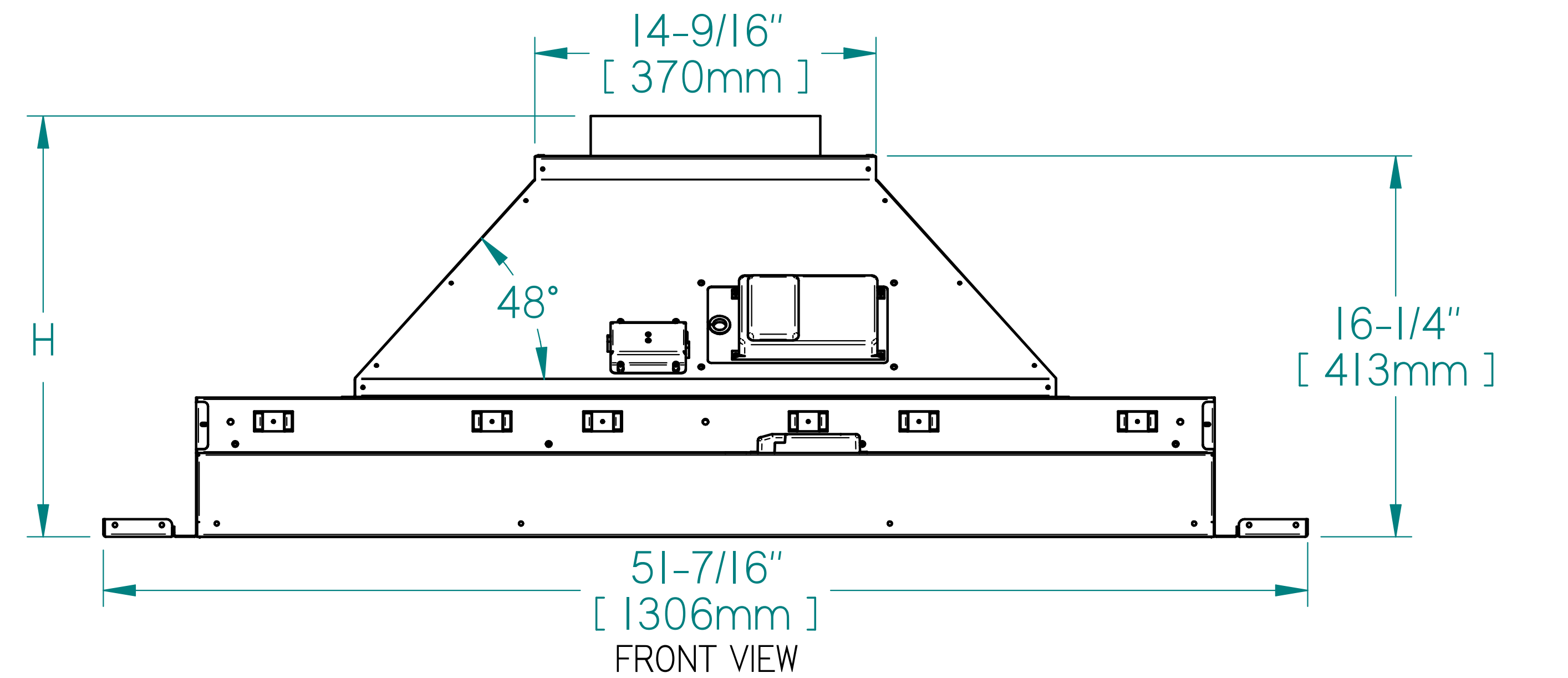
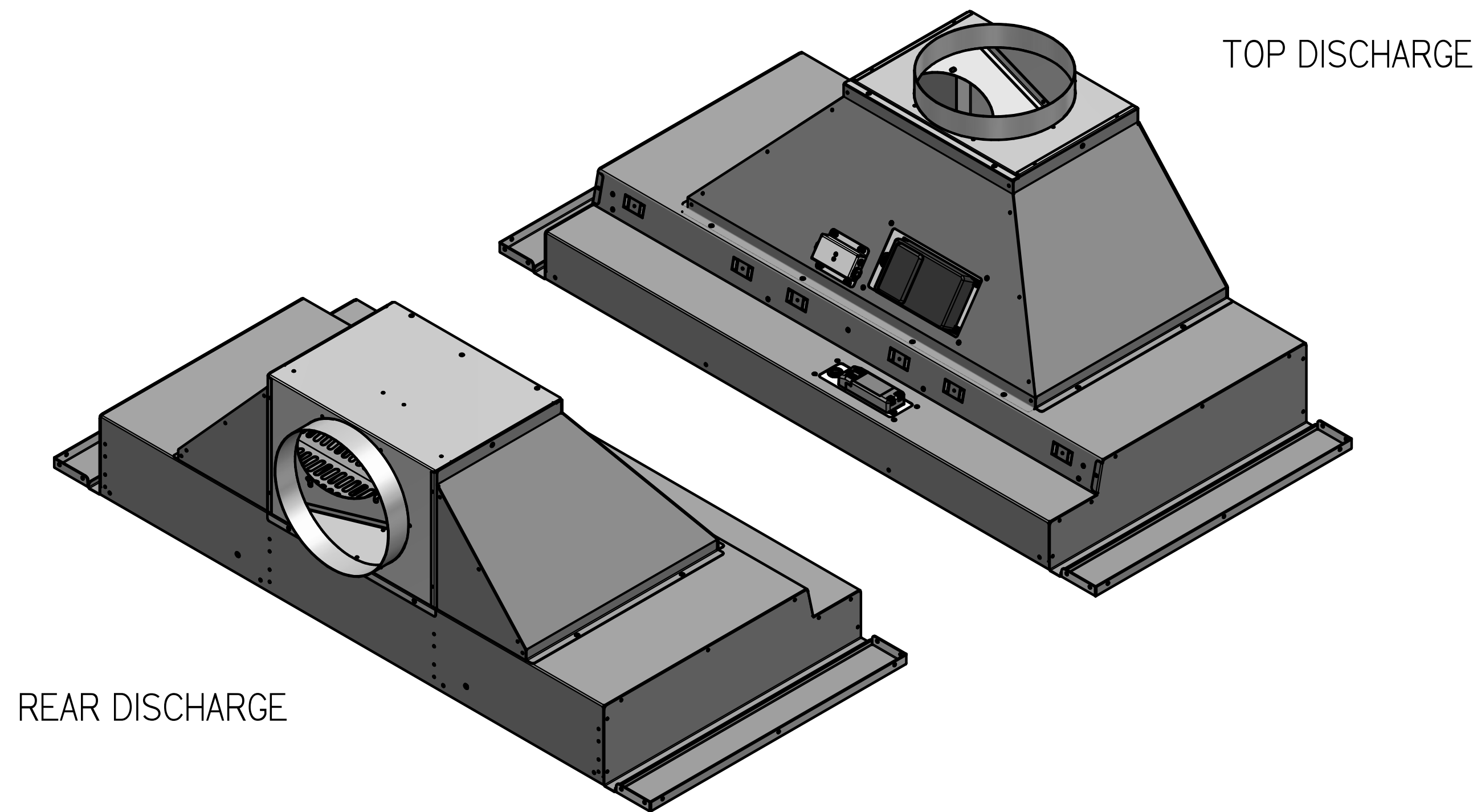
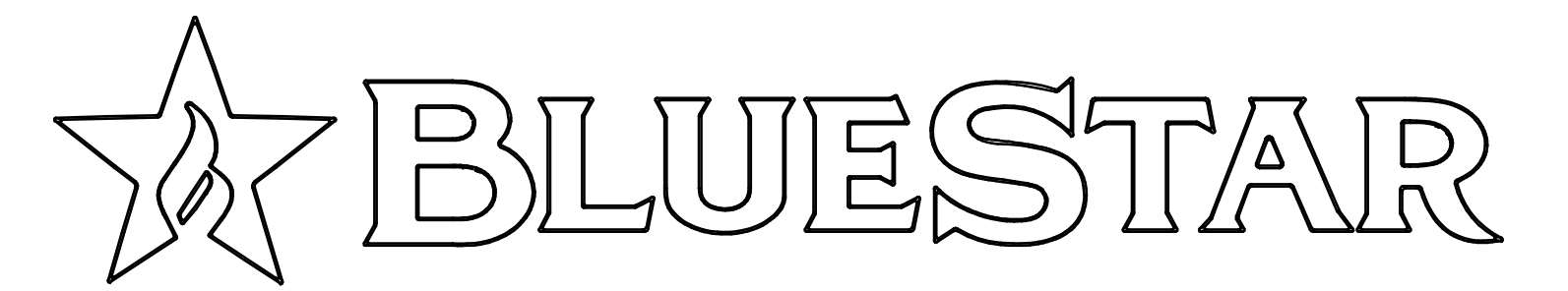


BLOWER OUTLET INFORMATION		
	IN-HOOD (-INO6 ONLY)	ALL OTHER BLOWERS
A	11-1/2" [292mm]	11-1/8" [282mm]
B	22-11/16" [577mm]	22-11/16" [577mm]
C	4-11/16" [120mm]	5-1/8" [130mm]
D	5-7/8" [149mm]	9-7/8" [251mm]
H	16-1/4" [413mm]	17-15/16" [456mm]
SIZE TO FIT	Ø 6" DUCT	Ø 10" DUCT

NOTE:

- FOR SIDE VIEW AND DIMENSION VIEW PAGE 8
- DIMENSIONS SHOWN IN [] ARE IN MILLIMETERS.
- ALL INCH DIMENSIONS HAVE BEEN ROUNDED TO 1/16".
- ALL MILLIMETER DIMENSIONS HAVE BEEN ROUNDED TO 1MM.
- SOME SMALL MANUFACTURING VARIATION IS NORMAL.

BLUESTAR HOOD DIMENSIONS, MODEL: - PM052ML

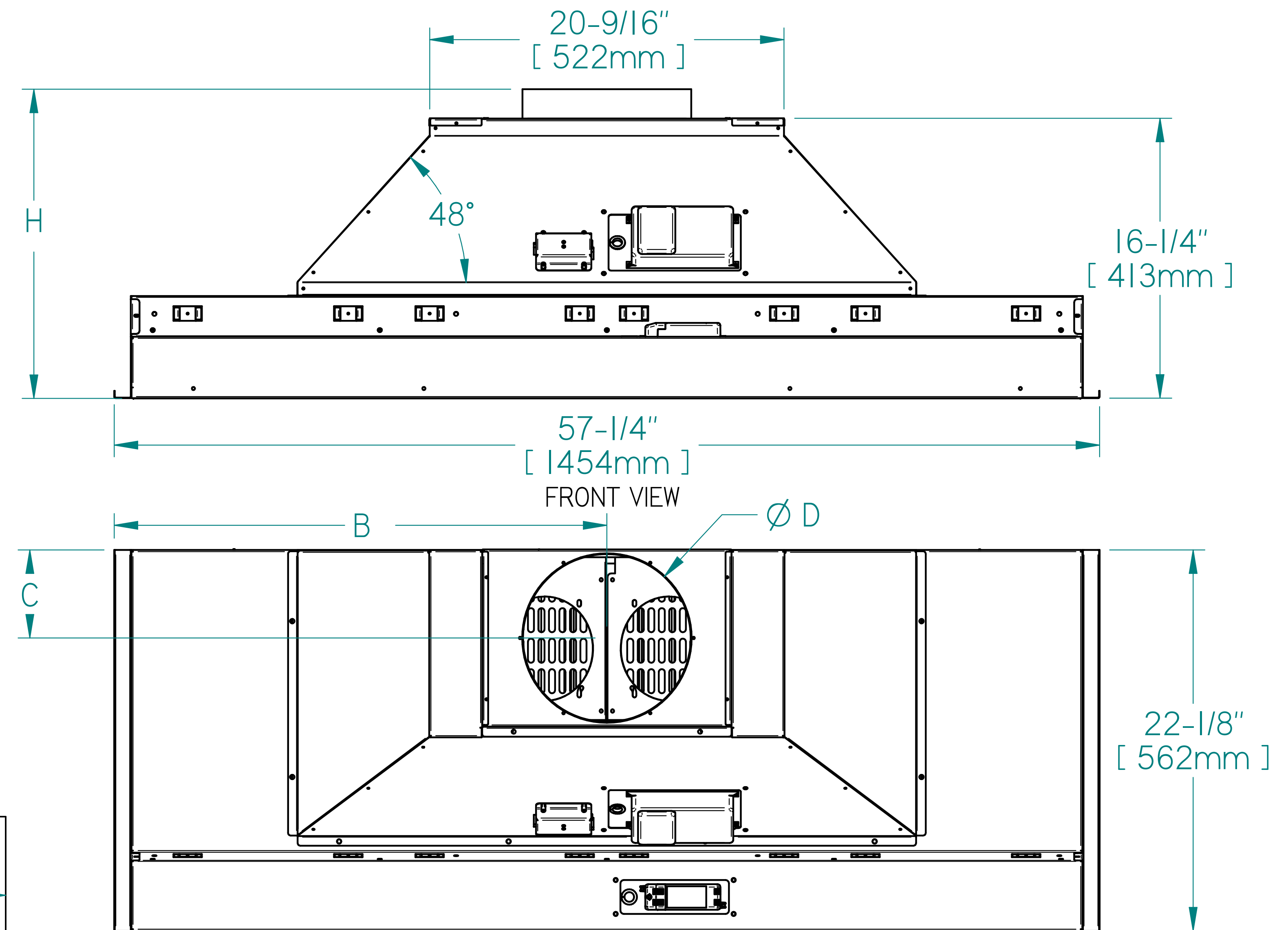
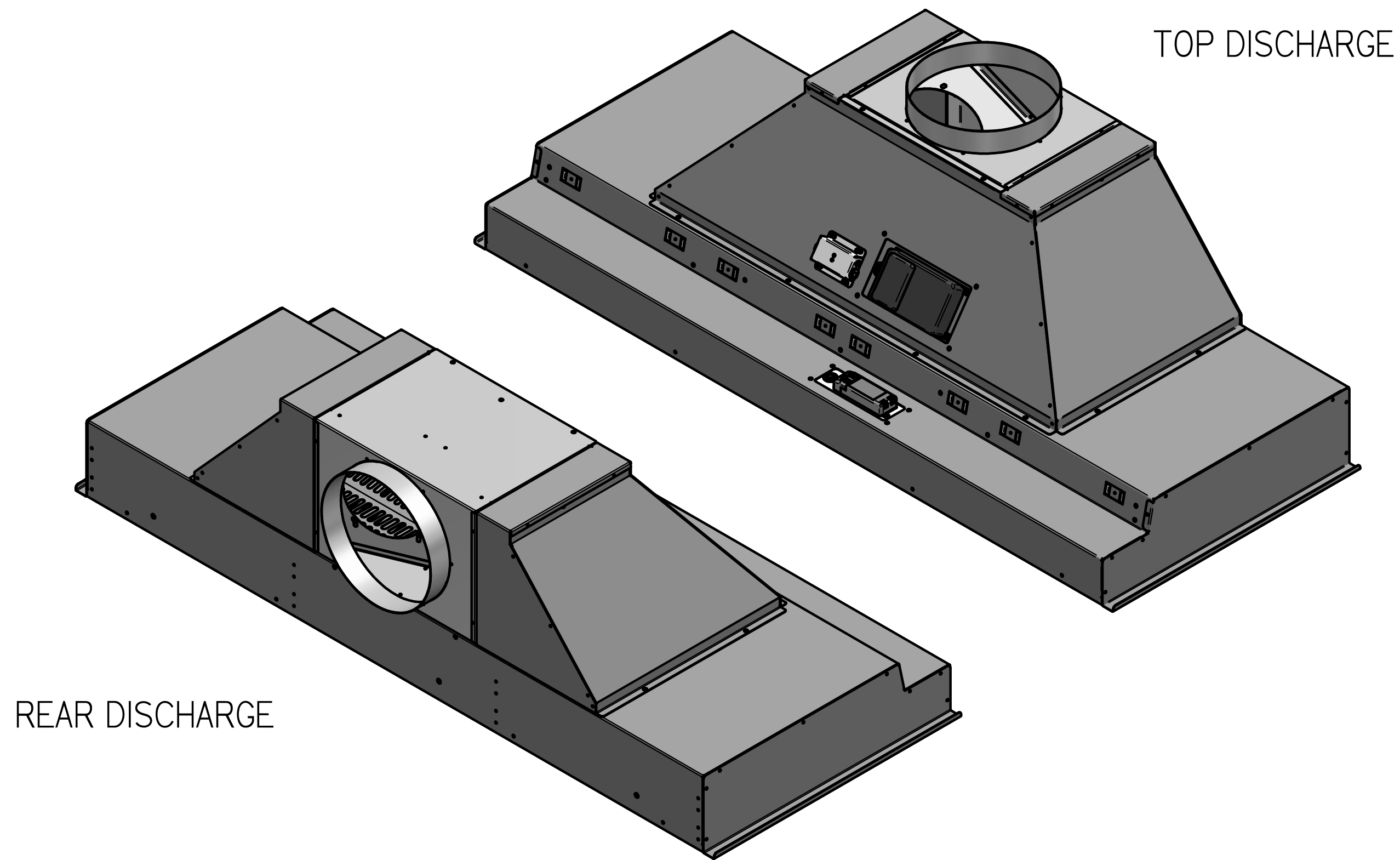
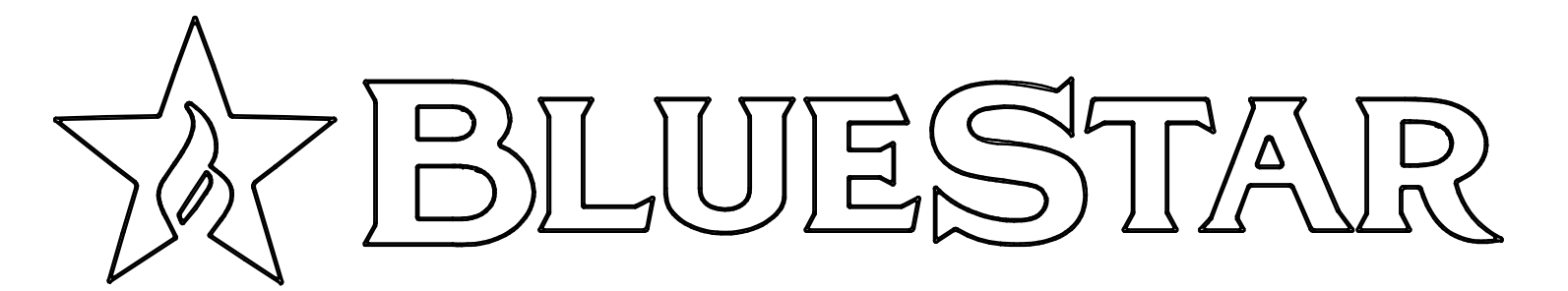


BLOWER OUTLET INFORMATION		
	IN-HOOD (-INO6 ONLY)	ALL OTHER BLOWERS
A	11-1/2" [292mm]	11-1/8" [282mm]
B	25-11/16" [653mm]	25-11/16" [653mm]
C	4-11/16" [120mm]	5-1/8" [130mm]
D	5-7/8" [149mm]	9-7/8" [251mm]
H	16-1/4" [413mm]	17-15/16" [456mm]
SIZE TO FIT	Ø 6" DUCT	Ø 10" DUCT

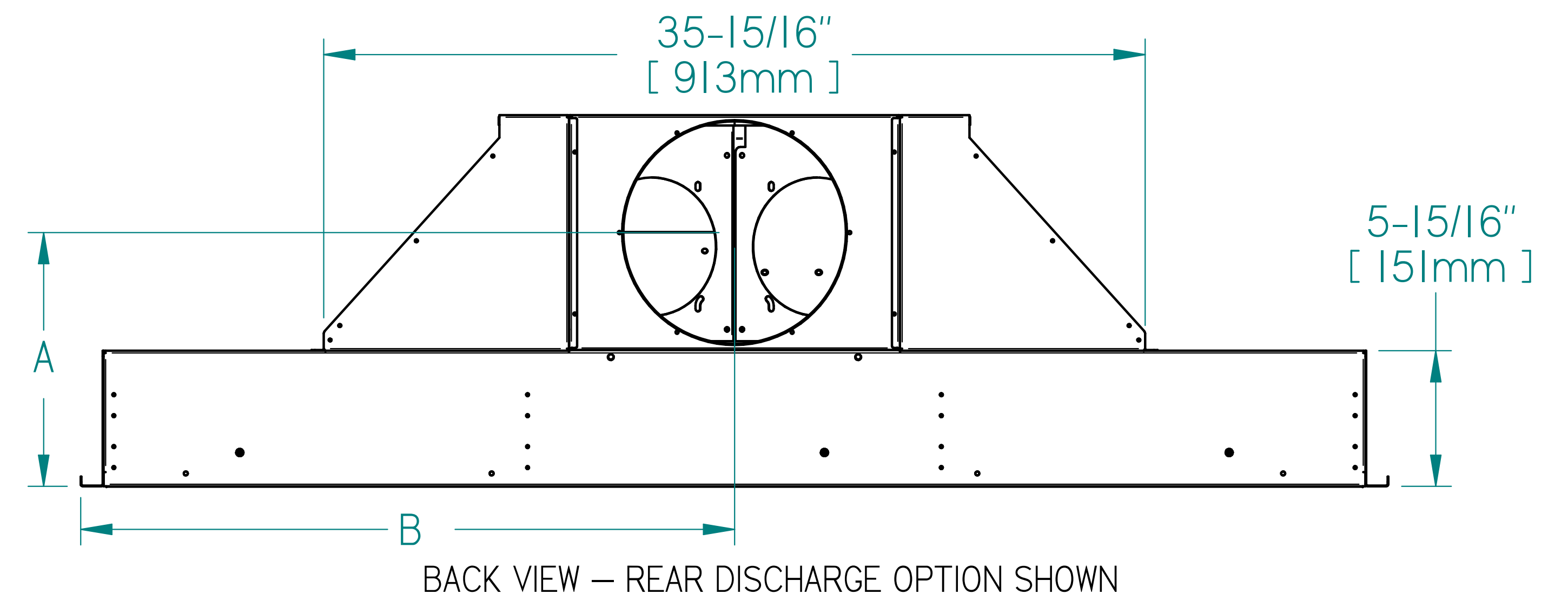
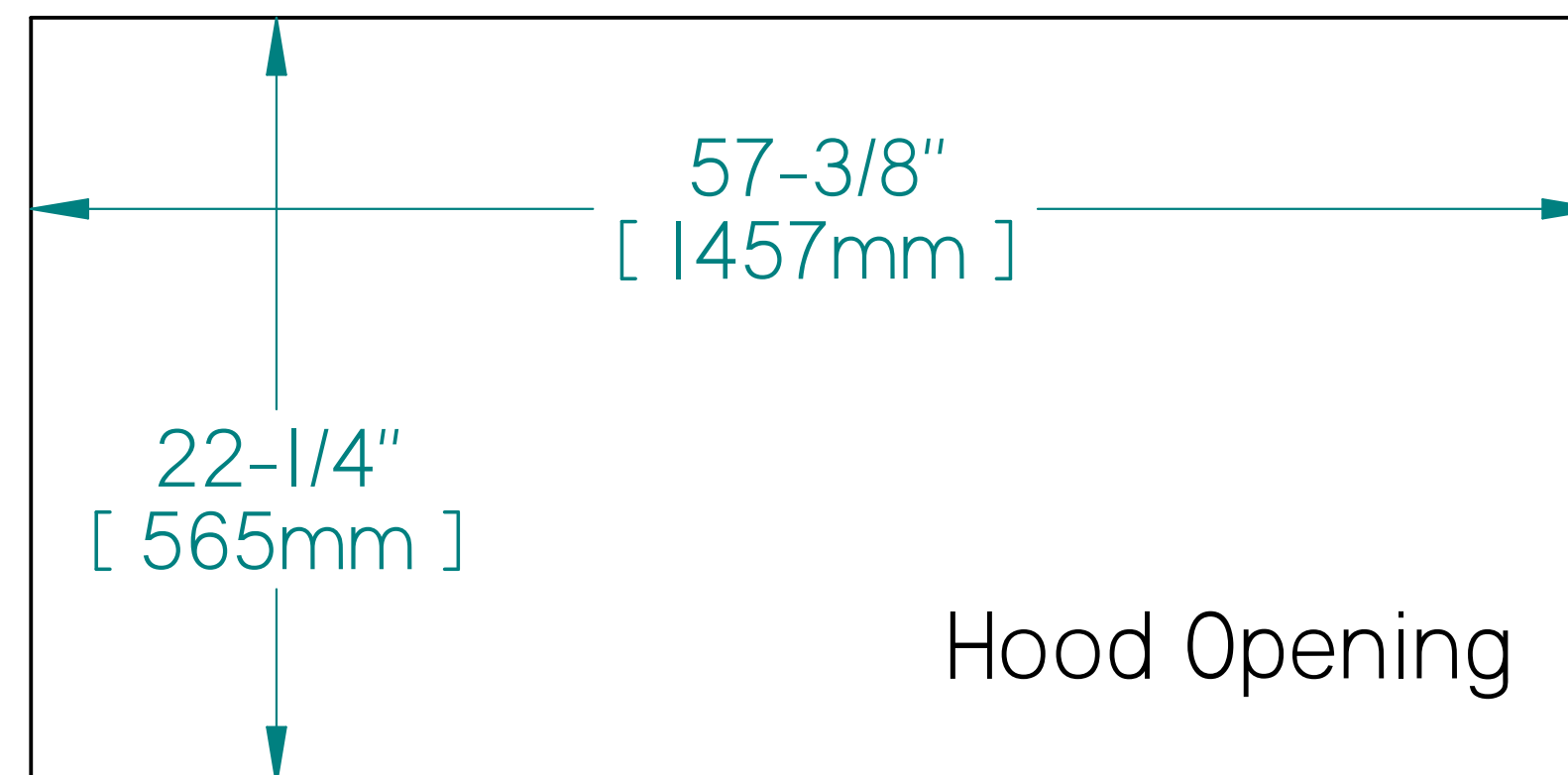
NOTE:

- FOR SIDE VIEW AND DIMENSION VIEW PAGE 8
- DIMENSIONS SHOWN IN [] ARE IN MILLIMETERS.
- ALL INCH DIMENSIONS HAVE BEEN ROUNDED TO 1/16".
- ALL MILLIMETER DIMENSIONS HAVE BEEN ROUNDED TO 1MM.
- SOME SMALL MANUFACTURING VARIATION IS NORMAL.

BLUESTAR HOOD DIMENSIONS, MODEL: - PM058ML



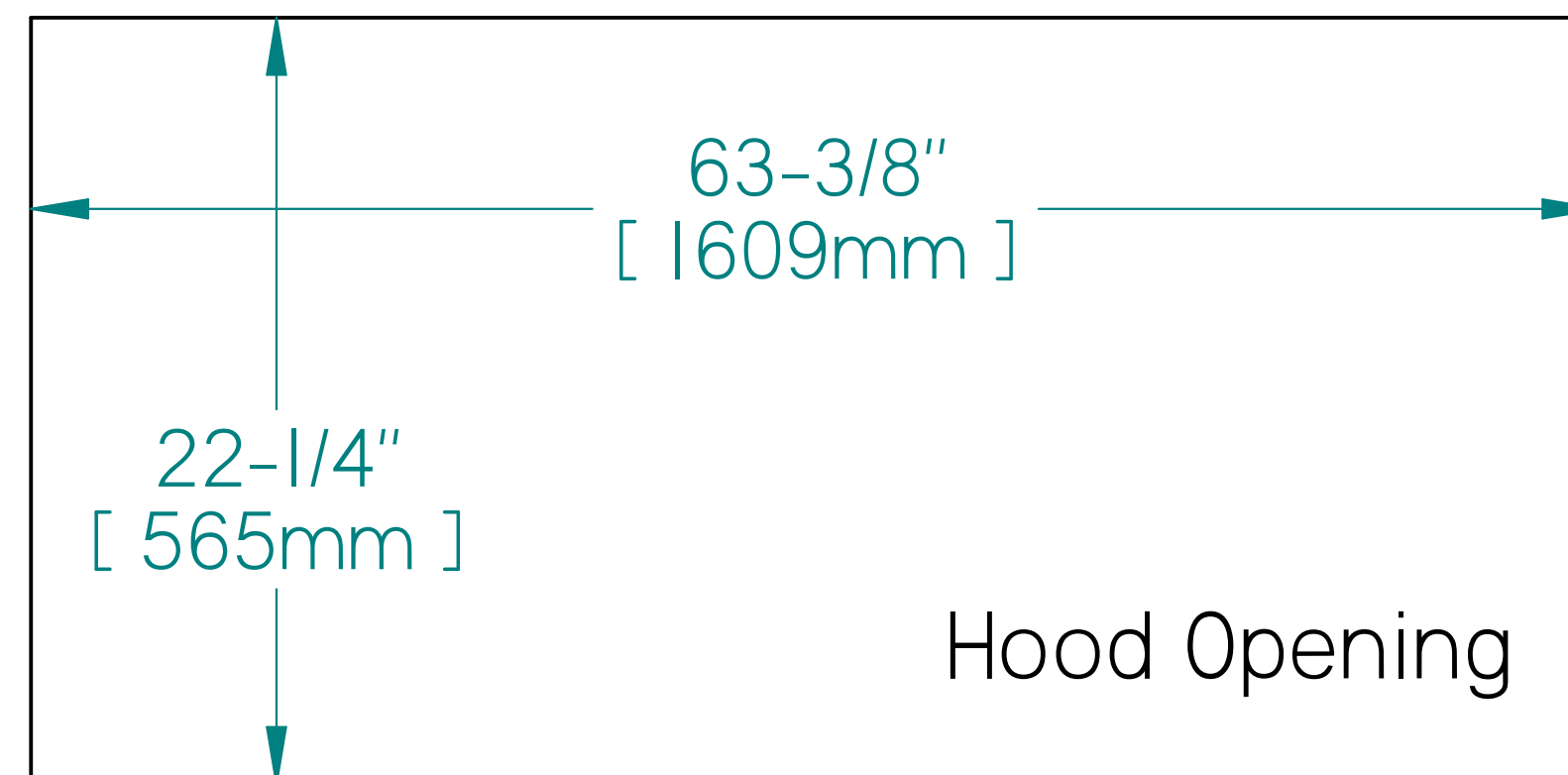
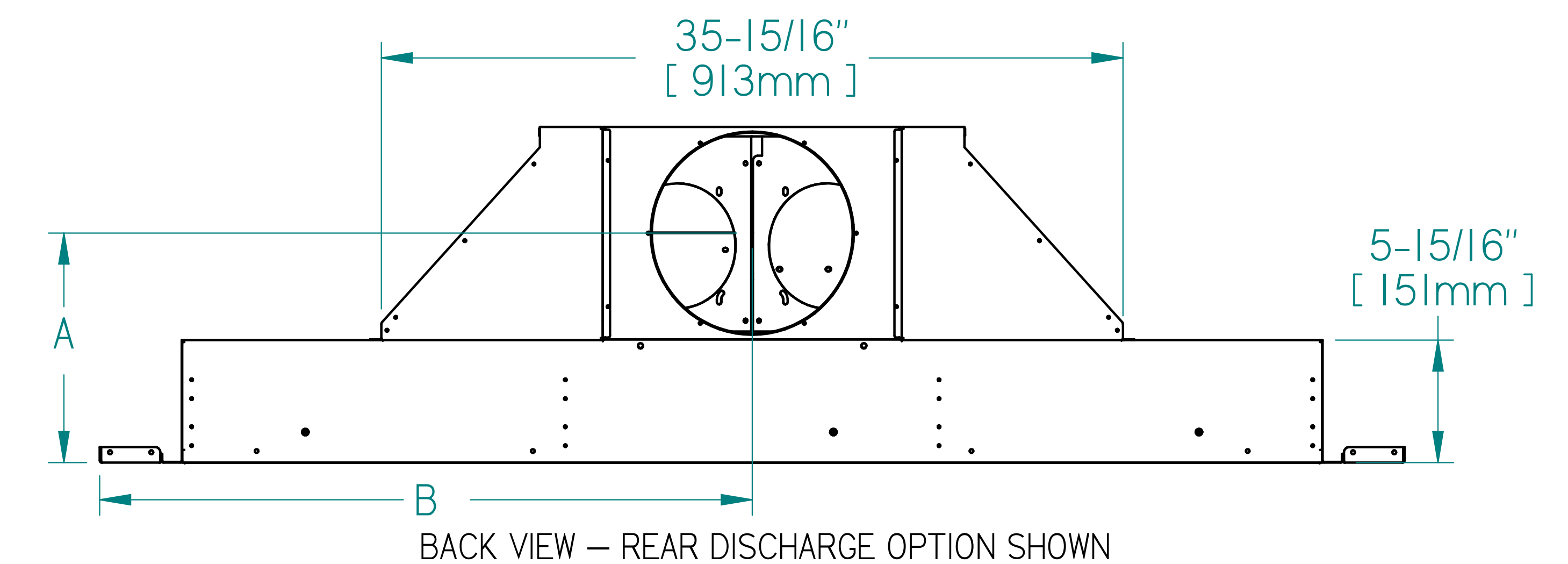
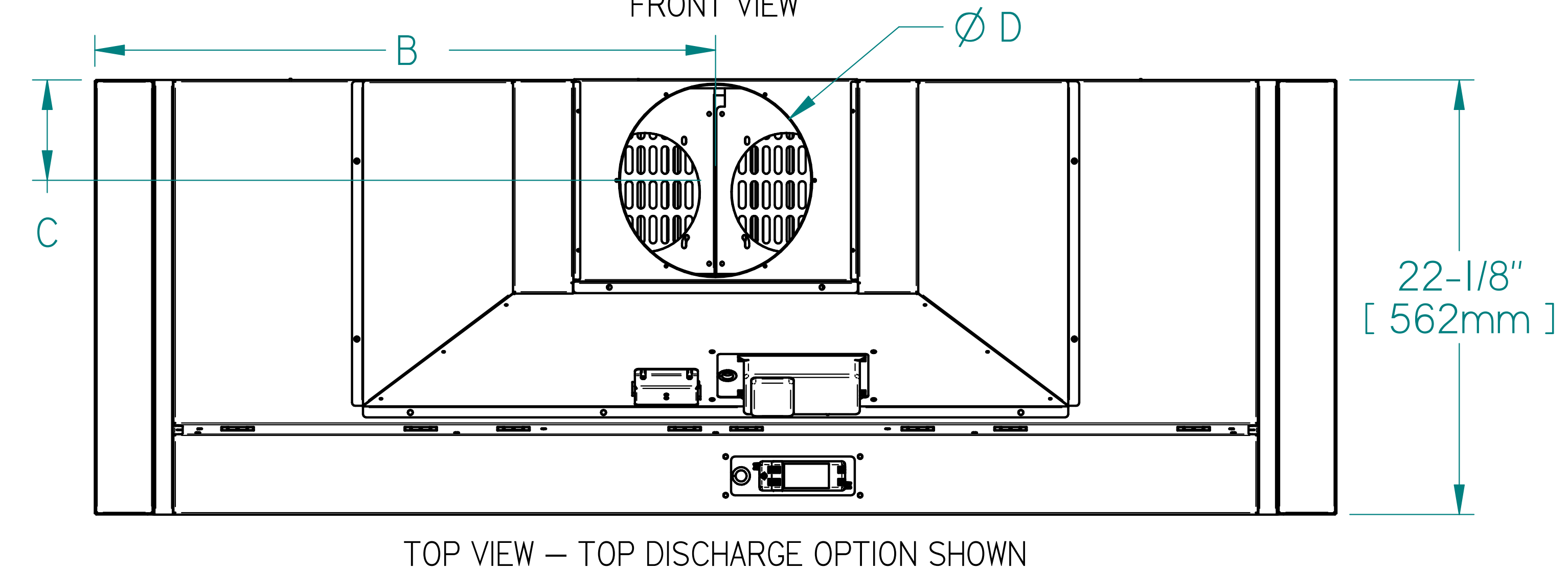
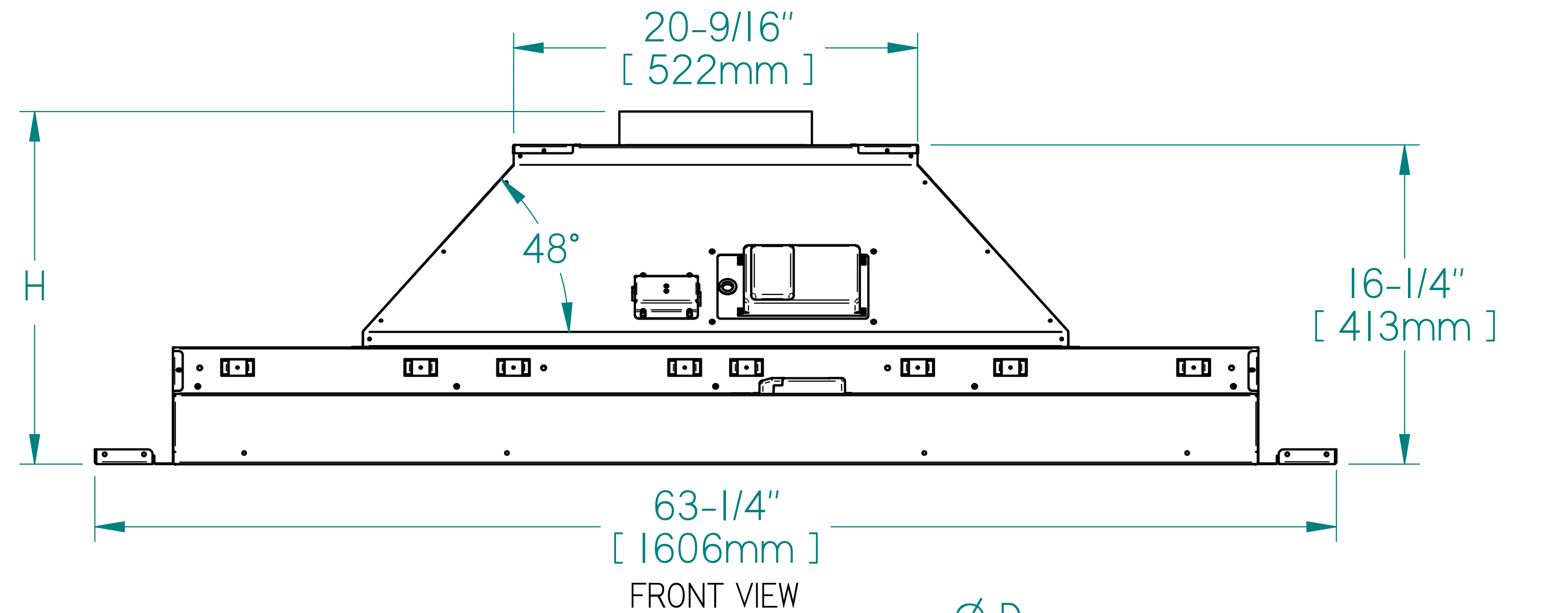
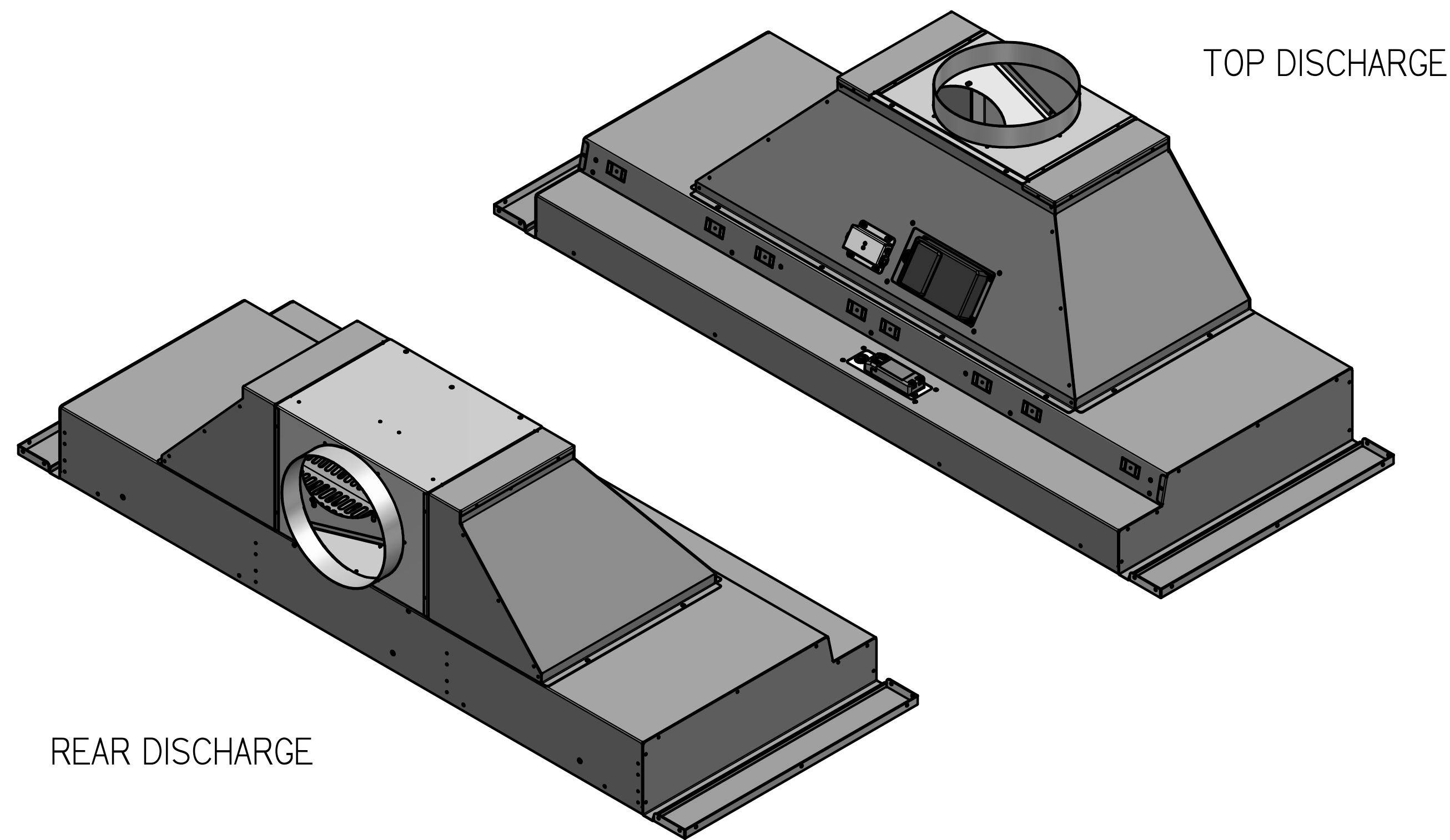
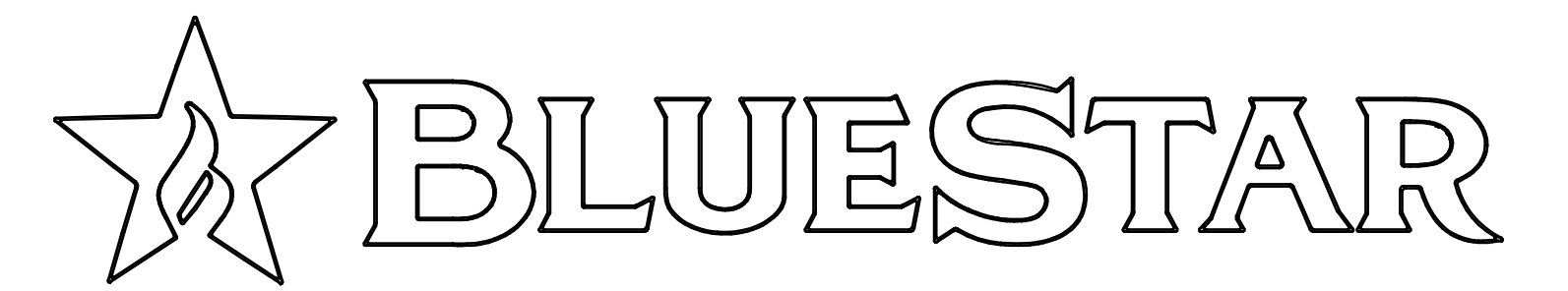
BLOWER OUTLET INFORMATION		
	IN-HOOD (-INO6 ONLY)	ALL OTHER BLOWERS
A	11-1/2" [292mm]	11-1/8" [282mm]
B	28-5/8" [727mm]	28-5/8" [727mm]
C	4-11/16" [120mm]	5-1/8" [130mm]
D	5-7/8" [149mm]	9-7/8" [251mm]
H	16-1/4" [413mm]	17-15/16" [456mm]
SIZE TO FIT	Ø 6" DUCT	Ø 10" DUCT



NOTE:

- FOR SIDE VIEW AND DIMENSION VIEW PAGE 8
- DIMENSIONS SHOWN IN [] ARE IN MILLIMETERS.
- ALL INCH DIMENSIONS HAVE BEEN ROUNDED TO 1/16".
- ALL MILLIMETER DIMENSIONS HAVE BEEN ROUNDED TO 1MM.
- SOME SMALL MANUFACTURING VARIATION IS NORMAL.

BLUESTAR HOOD DIMENSIONS, MODEL: - PM064ML

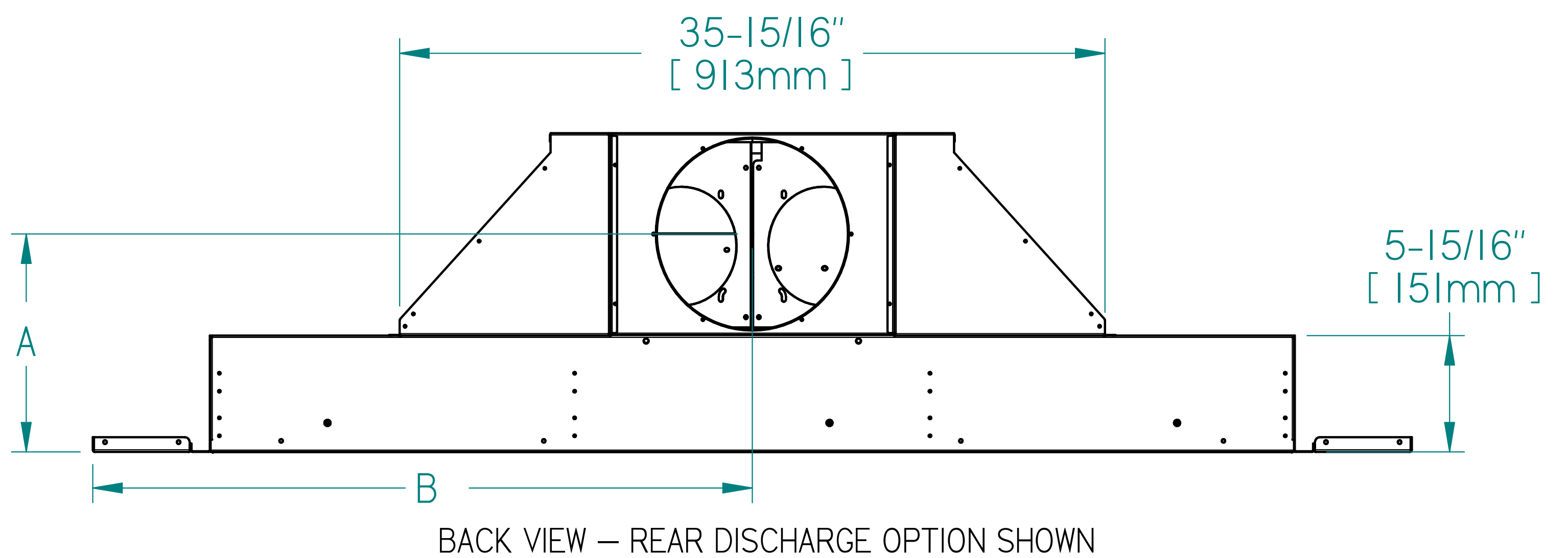
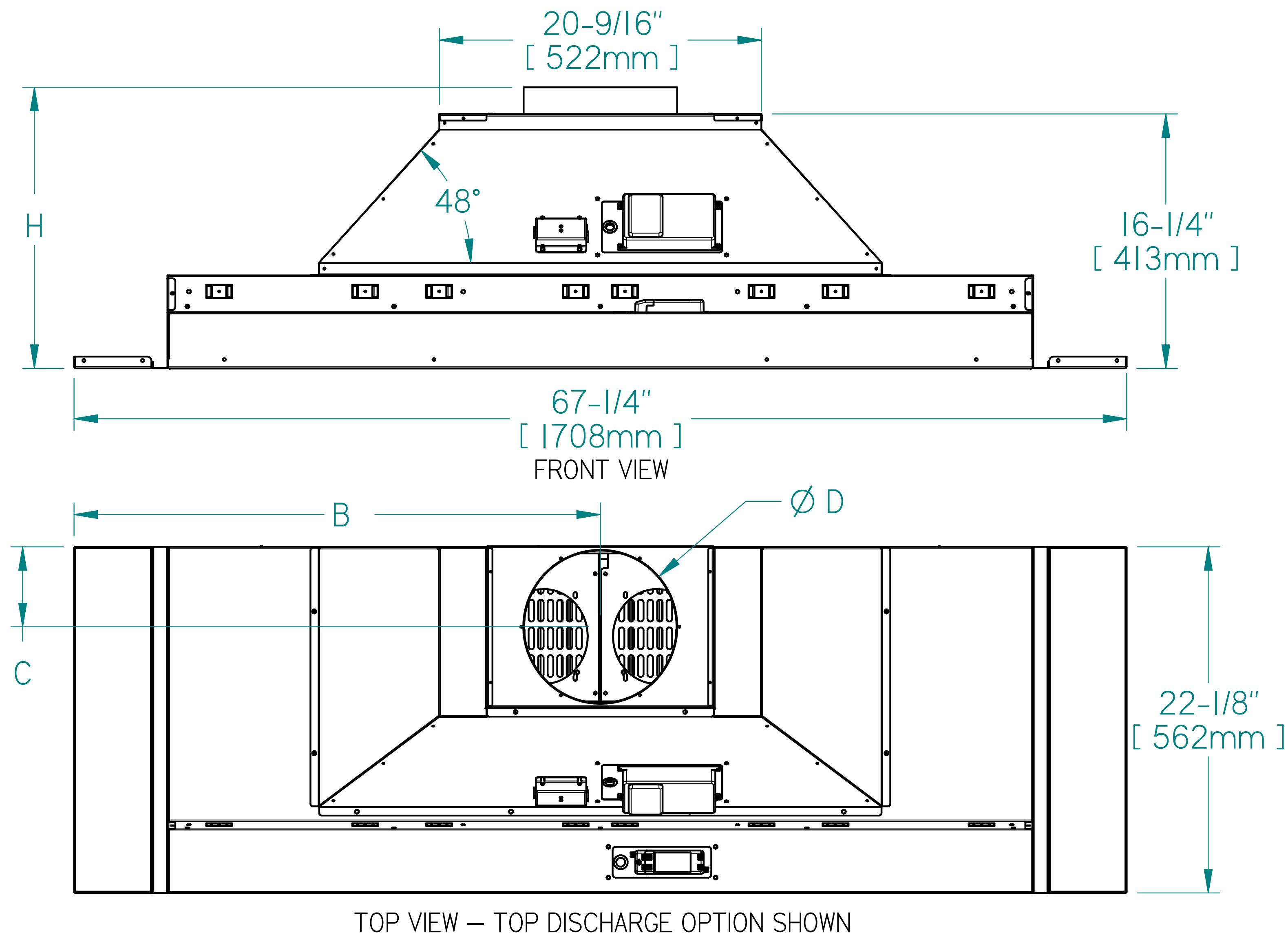
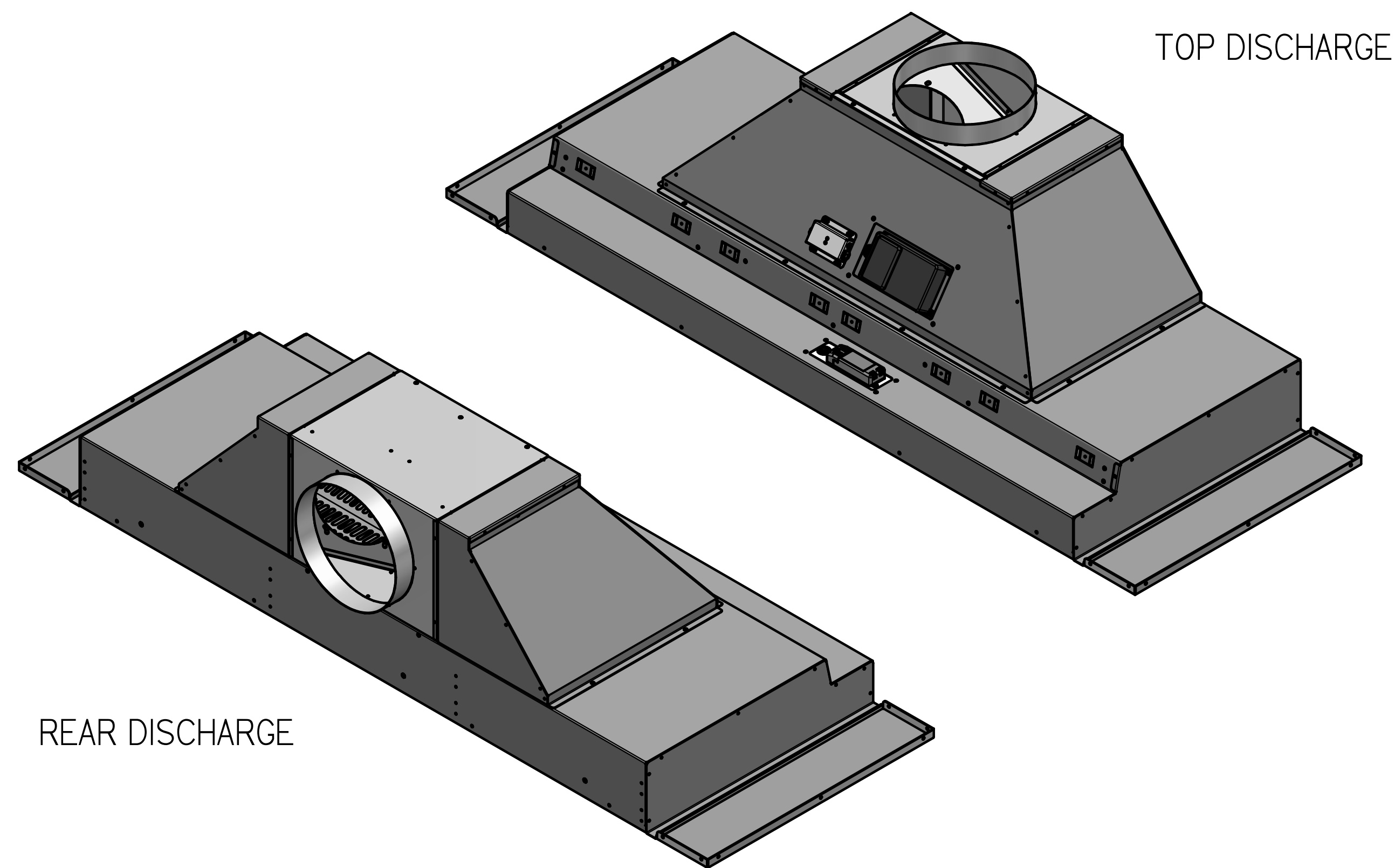
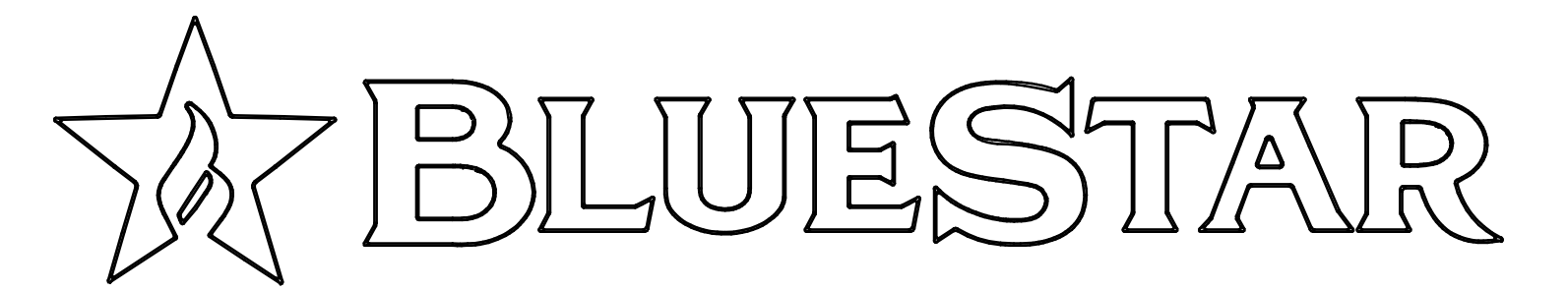


BLOWER OUTLET INFORMATION		
	IN-HOOD (-INO6 ONLY)	ALL OTHER BLOWERS
A	11-1/2" [292mm]	11-1/8" [282mm]
B	31-5/8" [803mm]	31-5/8" [803mm]
C	4-11/16" [120MM]	5-1/8" [130mm]
D	5-7/8" [149mm]	9-7/8" [251mm]
H	16-1/4" [413mm]	17-15/16" [456mm]
SIZE TO FIT	Ø 6" DUCT	Ø 10" DUCT

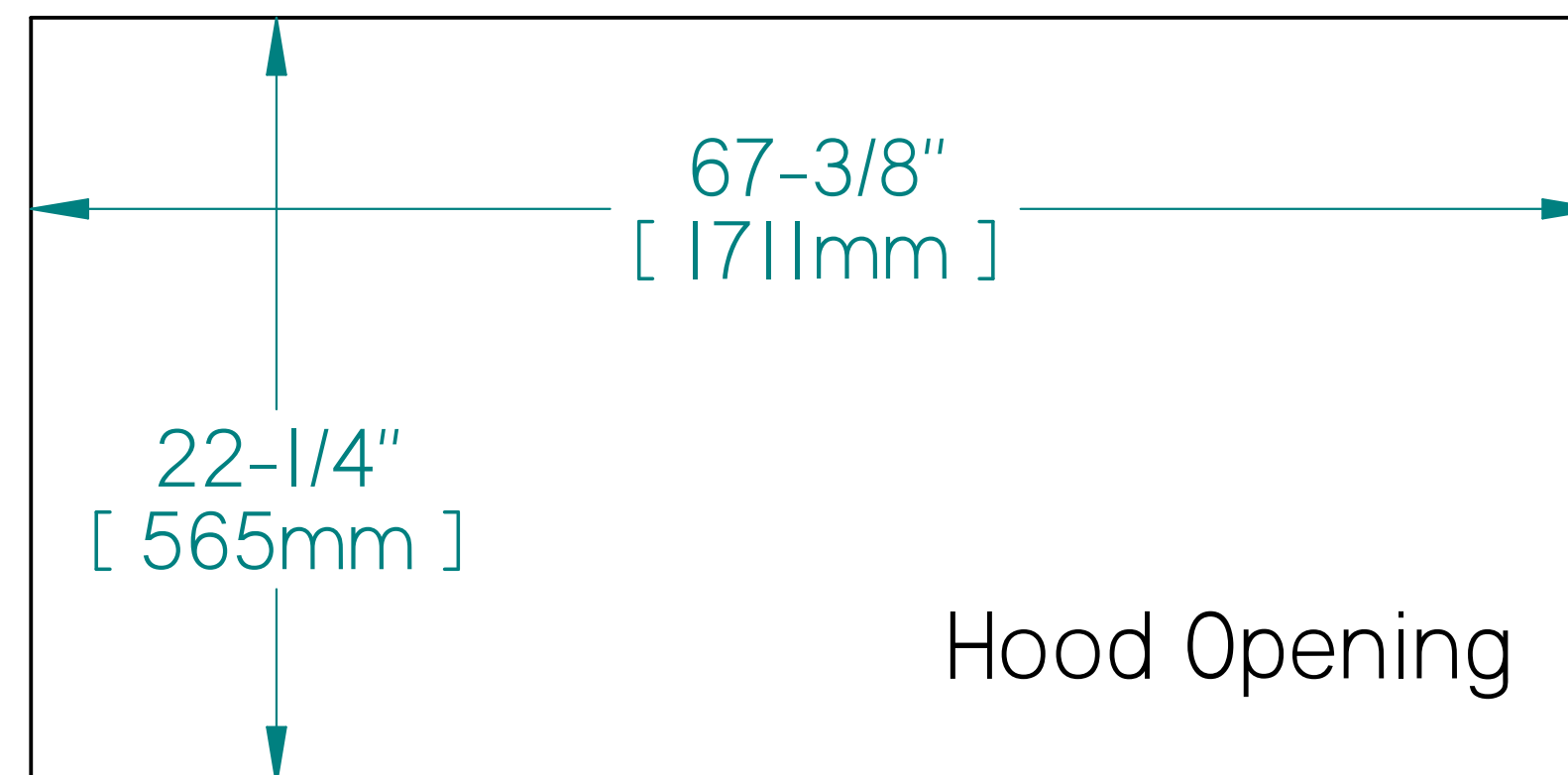
NOTE:

- FOR SIDE VIEW AND DIMENSION VIEW PAGE 8
- DIMENSIONS SHOWN IN [] ARE IN MILLIMETERS.
- ALL INCH DIMENSIONS HAVE BEEN ROUNDED TO 1/16".
- ALL MILLIMETER DIMENSIONS HAVE BEEN ROUNDED TO 1MM.
- SOME SMALL MANUFACTURING VARIATION IS NORMAL.

BLUESTAR HOOD DIMENSIONS, MODEL: - PM070ML



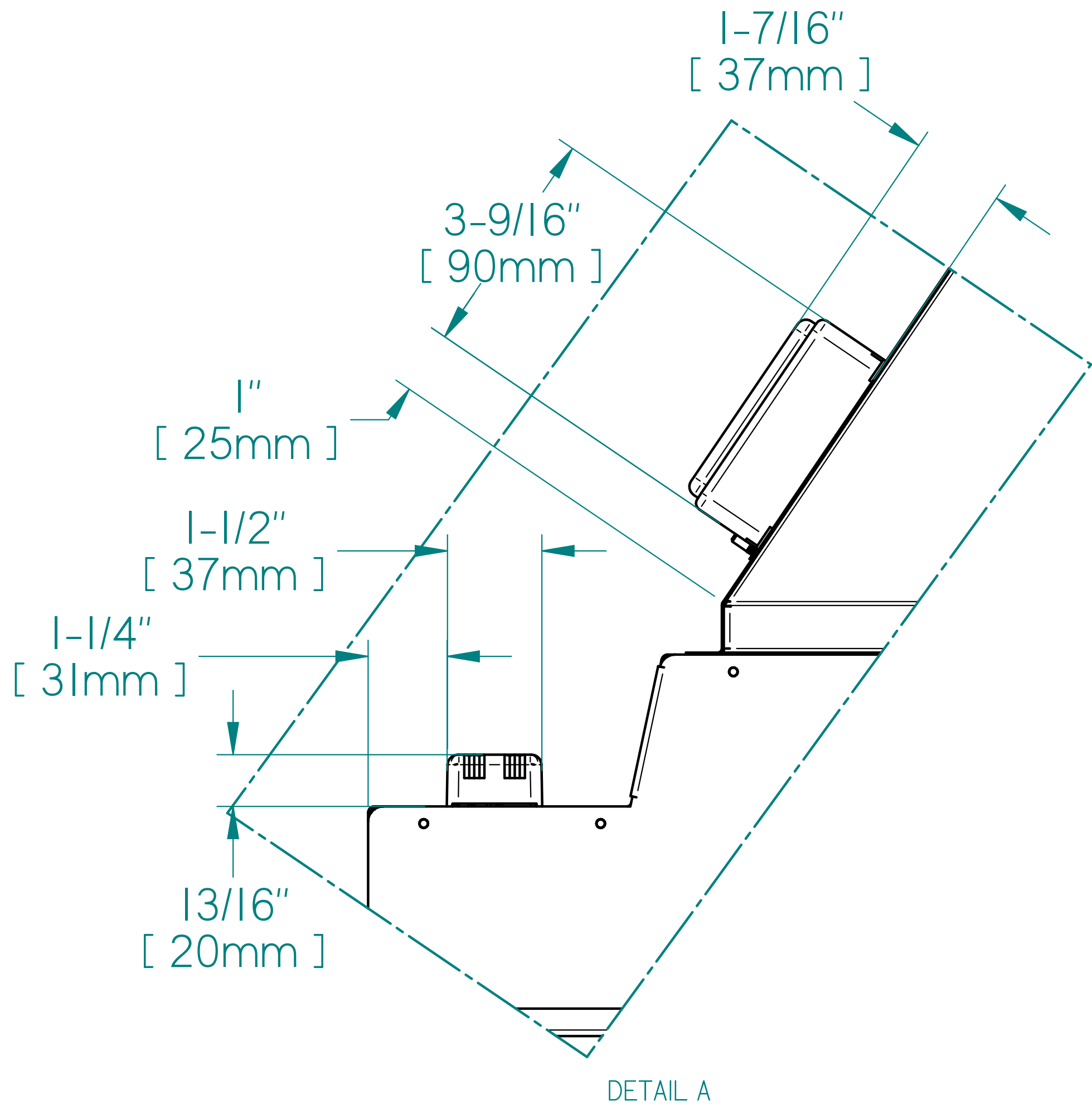
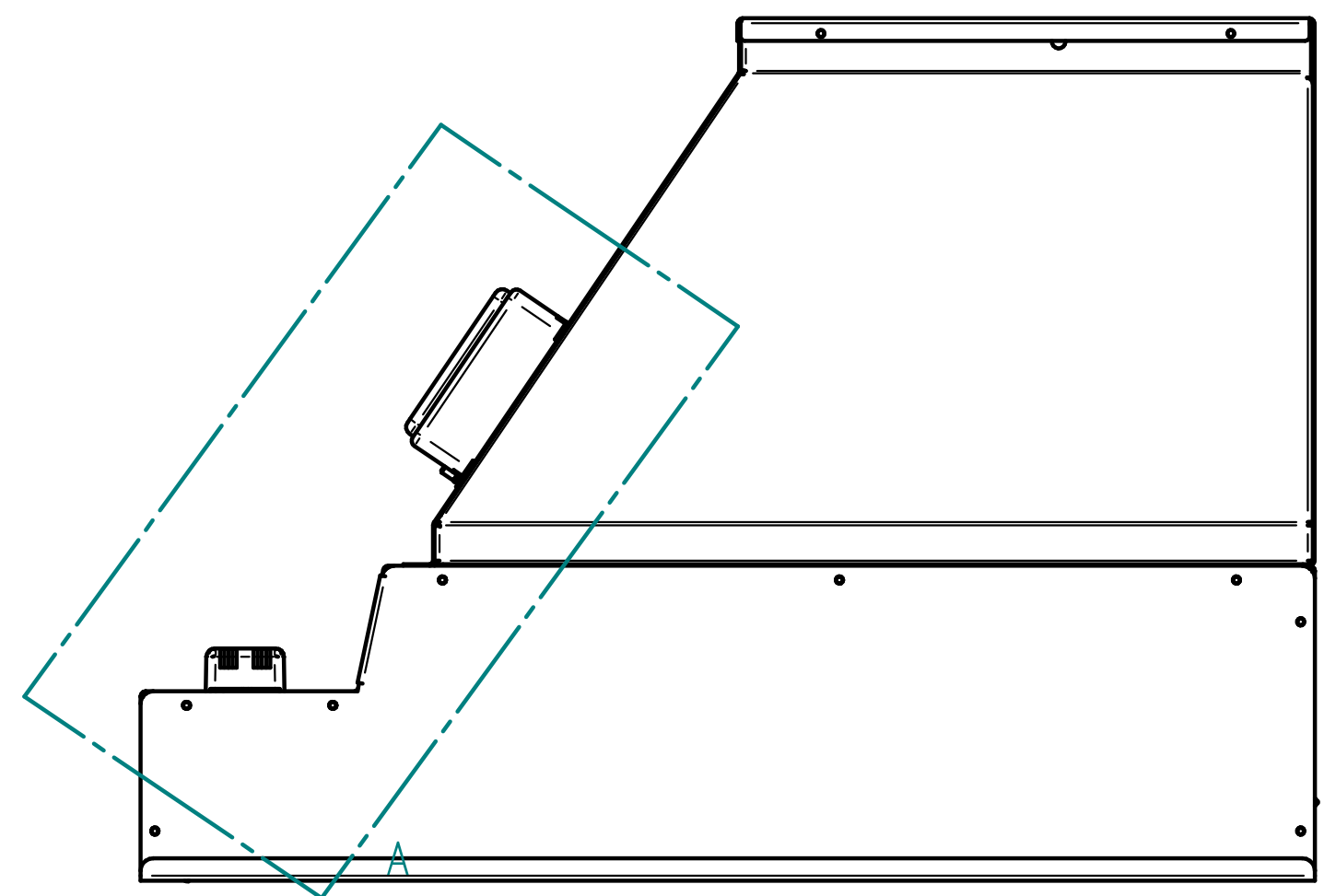
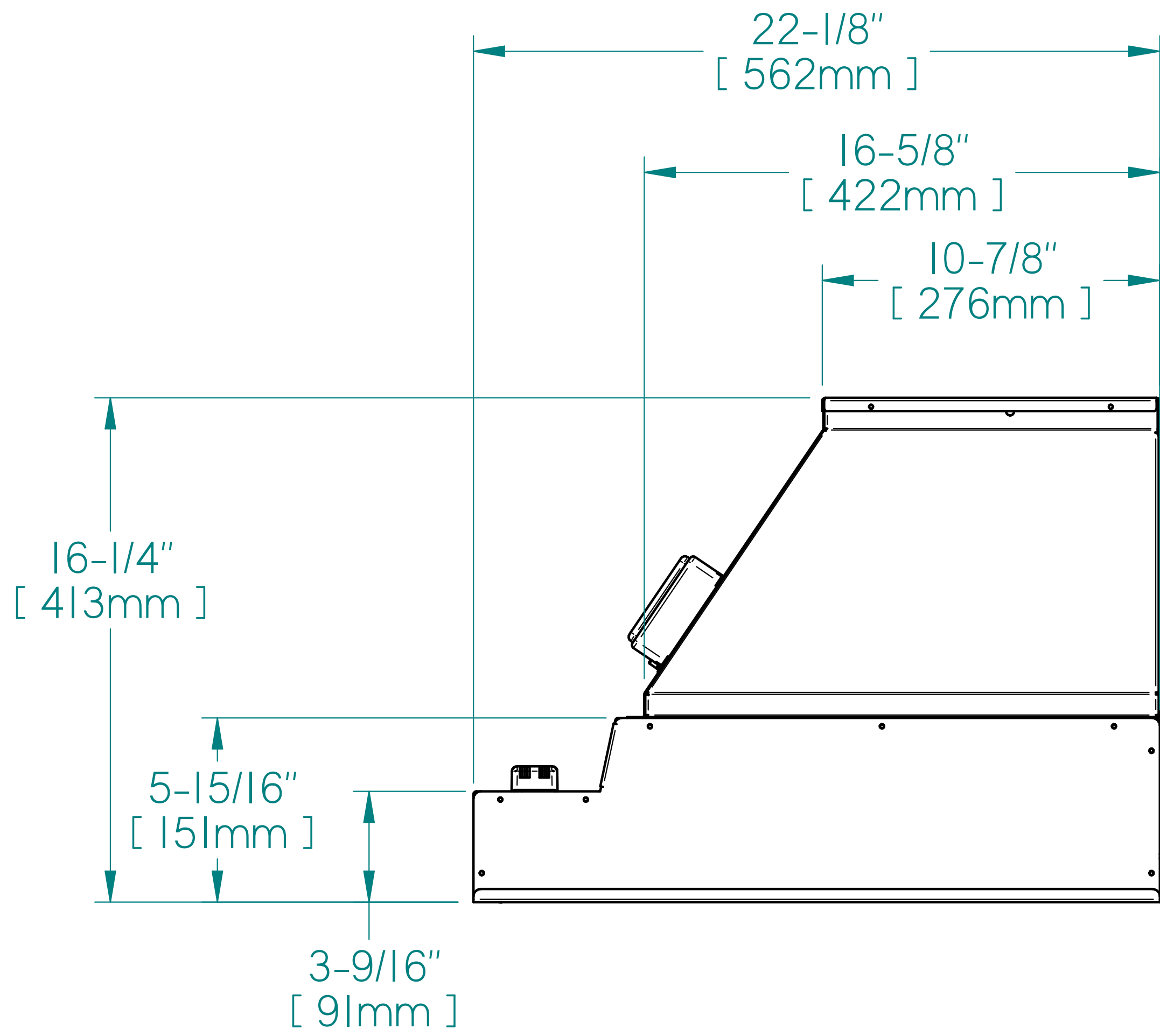
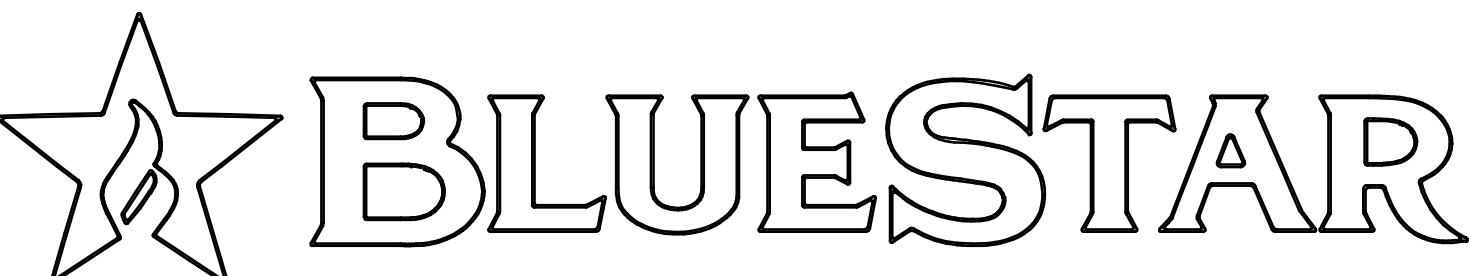
BLOWER OUTLET INFORMATION		
	IN-HOOD (-INO6 ONLY)	ALL OTHER BLOWERS
A	11-1/2" [292mm]	11-1/8" [282mm]
B	33-5/8" [854mm]	33-5/8" [854mm]
C	4-11/16" [120MM]	5-1/8" [130mm]
D	5-7/8" [149mm]	9-7/8" [251mm]
H	16-1/4" [413mm]	17-15/16" [456mm]
SIZE TO FIT	\varnothing 6" DUCT	\varnothing 10" DUCT



NOTE:

- FOR SIDE VIEW AND DIMENSION VIEW PAGE 8
- DIMENSIONS SHOWN IN [] ARE IN MILLIMETERS.
- ALL INCH DIMENSIONS HAVE BEEN ROUNDED TO 1/16".
- ALL MILLIMETER DIMENSIONS HAVE BEEN ROUNDED TO 1MM.
- SOME SMALL MANUFACTURING VARIATION IS NORMAL.

BLUESTAR HOOD DIMENSIONS, MODEL: - PM0XXML



- NOTE:
- DIMENSIONS SHOWN IN [] ARE IN MILLIMETERS.
 - ALL INCH DIMENSIONS HAVE BEEN ROUNDED TO 1/16".
 - ALL MILLIMETER DIMENSIONS HAVE BEEN ROUNDED TO 1MM.
 - SOME SMALL MANUFACTURING VARIATION IS NORMAL.