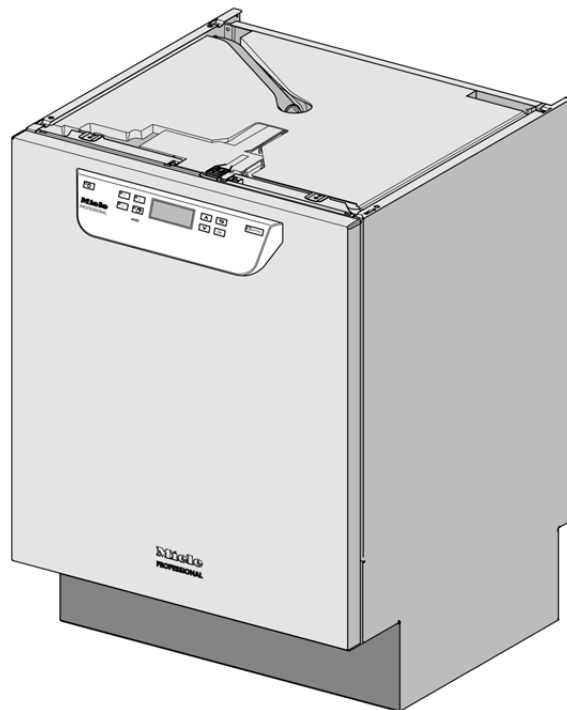


Installation Plan



Professional Dishwasher

PG 8061

Mat. no.: 09 838 370

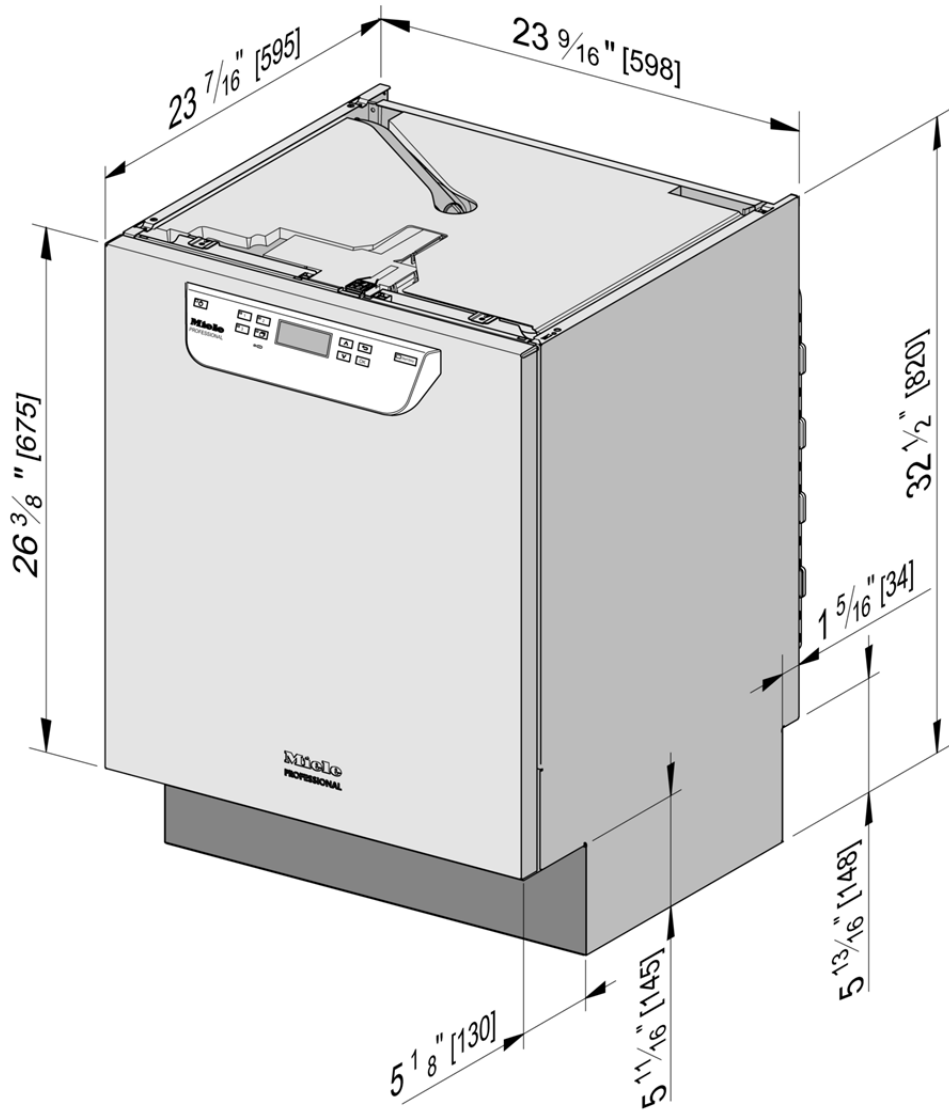
en - US

Installation instruction

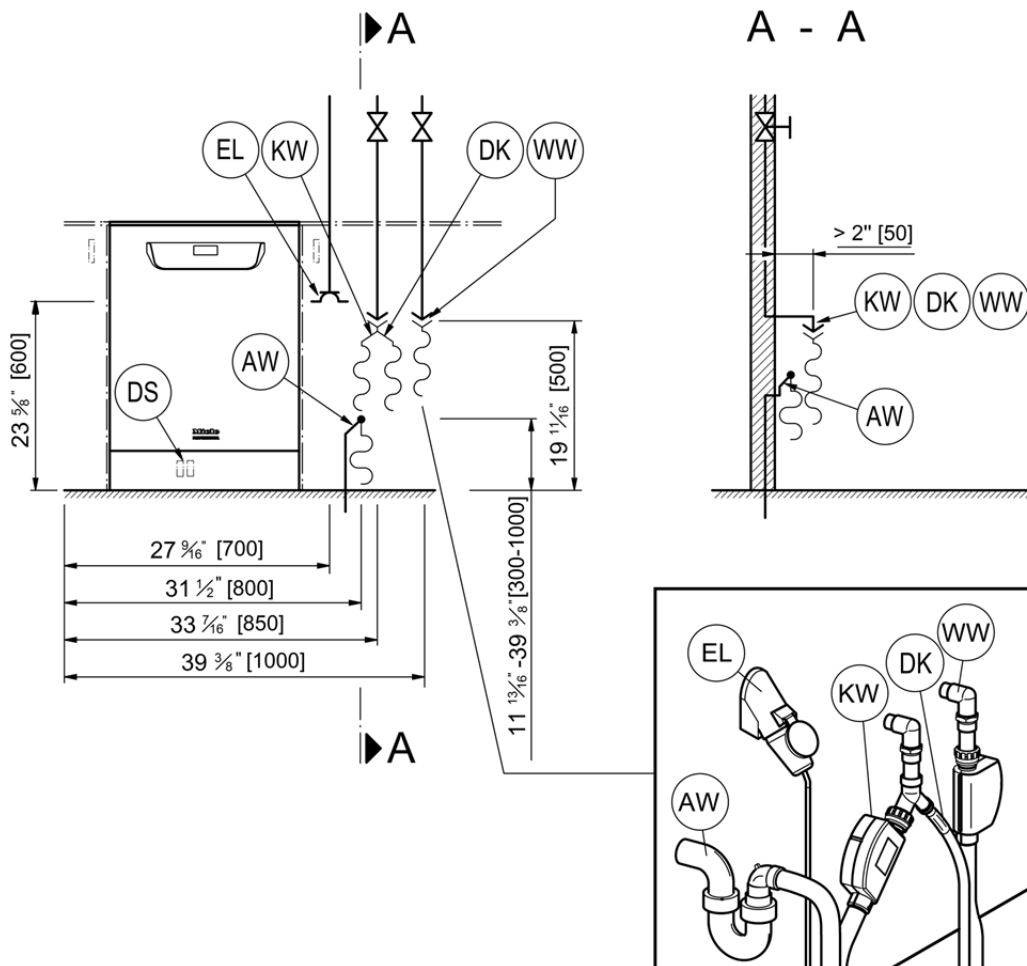
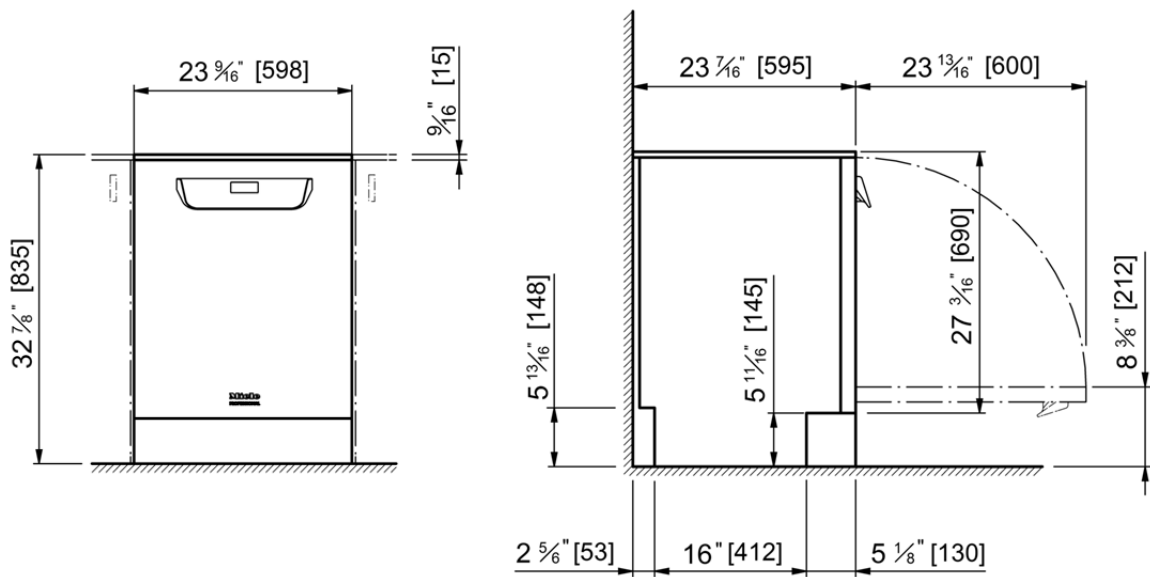


**Observe installation instructions when installing machine.
This dishwasher is only suitable for commercial use.**

Installation	Installation should only be carried out by authorized installers in accordance with valid regulations, relevant standards and health and safety codes!
Condensate	Only use commercial grade cabinetry in the vicinity of this commercial dishwasher as condensate may otherwise cause damage.
Machine feet	To ensure stability install the included floor bracket BBF-80 (Installation Instructions Mat.no.: 09788890)
Electrical connection	<p>It is recommended to make electrical connection via a plug and socket so that electrical safety checks can be carried out easily. The socket must be accessible after machine installation.</p> <p>With a fixed installation, this must be via a main switch to be provided on site, which must completely isolate the machine from the power supply with a contact gap of at least 1/8" (3 mm).</p> <p>If necessary, an equipotential bond with good contact connection must be provided in accordance with all appropriate national and local regulations.</p> <p>Protection class IP21</p>
Non-return device	Connection to a drinking water supply is permitted without an additional non-return device.
Steam condensor	Steam condensor (DK) requires its own cold water connection. Use the supplied Y-adaptor if only one cold water connection is available.
External dosing system (optional)	Connect up to two dosing systems at the rear panel for liquid cleaning agent and rinse aid.



Dimensions in drawings in inches & [mm]



Dimensions in drawings in inches & [mm]

EL	Electrical connection	WW	Hot water
KW	Cold water	AW	Drain water
DS	External dosing connection (optional)	DK	Steam condensor

Electrical connection (208 V)

Voltage (default)	3 AC 208V 60 Hz	3 AC 208V 60 Hz
Rated load	5.8 kW	5.8 kW
Fuse rating	3 × 20 A	3 × 20 A
Minimum cross-section	4 × AWG 12	4 × 3.3 mm ²
Length of electrical cord (UL 921) with plug	approx. 6' 2"	approx. 1.9 m
Electrical connection	NEMA L15-20	NEMA L15-20

Voltage (convertible)	2 AC 208V 60 Hz	2 AC 208V 60 Hz
Rated load	5.8 kW	5.8 kW
Fuse rating	2 × 30 A	2 × 30 A
Minimum cross-section	3 × AWG 10	3 × 5.2 mm ²
Length of electrical cord (UL 921) with plug	approx. 6' 2"	approx. 1.9 m
Electrical connection	NEMA L6-30	NEMA L6-30

Electrical connection (240 V)

Voltage (default)	3 AC 240V 60 Hz	3 AC 240V 60 Hz
Rated load	5.8 kW	5.8 kW
Fuse rating	3 × 20 A	3 × 20 A
Minimum cross-section	4 × AWG 12	4 × 3.3 mm ²
Length of electrical cord (UL 921) with plug	approx. 6' 2"	approx. 1.9 m
Electrical connection	NEMA L15-20	NEMA L15-20

Voltage (convertible)	2 AC 240V 60 Hz	2 AC 240V 60 Hz
Rated load	5.8 kW	5.8 kW
Fuse rating	2 × 30 A	2 × 30 A
Minimum cross-section	3 × AWG 10	3 × 5.2 mm ²
Length of electrical cord (UL 921) with plug	approx. 6' 2"	approx. 1.9 m
Electrical connection	NEMA L6-30	NEMA L6-30

Cold water connections*

Max. temperature	68 °F	20 °C
Max. water hardness	70 gpg	70 °d
Min. flow pressure	29 psi	200 kPa
Min. flow pressure with extended water intake	5.8 psi	40 kPa
Max. pressure	145 psi	1,000 kPa
Throughput	2 gal/min	7.5 l/min
Connection thread - on site (flat sealing)	3/4" Male Garden Hose Thread (USA: 11.5 NH)	3/4" Male Garden Hose Thread
Length of connection hose (supplied)	approx. 5' 7"	approx. 1.7 m
Length of the steam condensor hose	approx. 5' 7"	approx. 1.7 m

* Two cold water connections required: use supplied Y-adaptor if only one cold water connection is available.

Hot water connection

Max. temperature	150 °F	65 °C
Max. water hardness	73 gpg	70 °dH
Min. flow pressure	29 psi	200 kPa
Min. flow pressure with extended water intake	5.8 psi	40 kPa
Max. pressure	145 psi	1,000 kPa
Throughput	2 gal/min	7.5 l/min
Connection thread - on site (flat sealing)	3/4" Male Garden Hose Thread (USA: 11.5 NH)	3/4" Male Garden Hose Thread
Length of connection hose (supplied)	approx. 5' 7"	approx. 1.7 m

Drain water

Drain hose (internal diameter x wall thickness)	7/8" x 1/4"	22 x 6 mm
Length of Commercial Dishwasher drain hose	4' 11"	approx. 1.5 m
Drain pump head height from floor level, max.	3' 3"	1 m
Drain hose delivery, max.	4.2 gal/min	16 l/min
On-site hose connector (external diameter x length)	7/8" x 1 3/16"	22 x 30 mm

External dosing system (optional)

Connect up to 2 dosing systems at the rear panel for liquid cleaning agent and rinse aid.

Machine feet

Height adjustable	0 - 2 3/8"	0 - 60 mm
Foot diameter	1 3/8"	35 mm
Entry point into housing	8 M	8 M

Heat dissipation to room

Heat transfer by emission	1194 btu/h	0.35 kWh/h
Load on removal	1365 btu/h	0.40 kWh/h

Machine data

Unit height	32 5/16"	820 mm
Height including cover	32 7/8"	835 mm
Width	23 9/16"	598 mm
Depth	23 7/16"	595 mm
Door height	26 9/16"	675 mm
Net weight	154 lbs	70 kg
Dynamic floor load	1.200 N	1.200 N
Width including transport pallet	26 3/8"	670 mm
Depth including transport pallet	29 1/8"	740 mm
Height including transport pallet	36 1/4"	920 mm

Set-up conditions

Ambient temperature	40-105 °F	5-40 °C
Max. humidity	80%	80%
Max. altitude above sea level	6560'	2.000 m



**U.S.A.
Miele, Inc.**

National Headquarters

9 Independence Way

Princeton, NJ 08540

Phone: 800-991-9380

Fax: 609-419-4241

www.mieleusa.com

**Technical Service & Support
Nationwide**

Phone: 800-991-9380

Fax: 800-220-1348

proservice@mieleusa.com